

PRODUCT INFORMATION PACKET



Model No: B418

Catalog No: B418

General Purpose Motor, 1/3 HP, 1 Ph, 60 Hz, 115/230 V, 3600 RPM, 56 Frame, TEFC



Regal and Century are trademarks of Regal Rexnord Corporation or one of its affiliated companies.
©2022 Regal Rexnord Corporation, All Rights Reserved. MC017097E





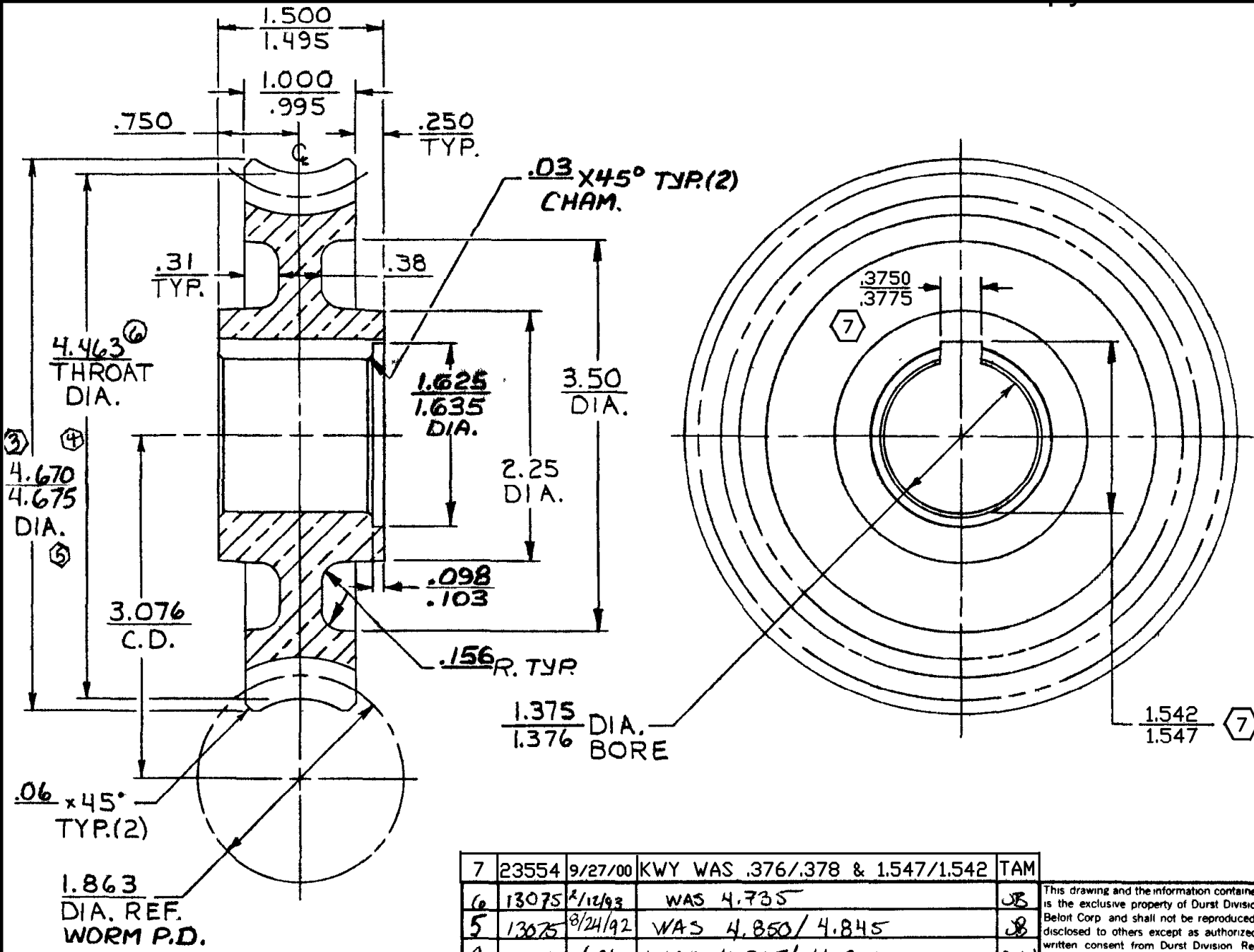
Nameplate Specifications

Output HP	1/3 Hp	Output KW	0.25 kW
Frequency	60 Hz	Voltage	115/230 V
Current	5.2/2.6 A	Speed	3450 rpm
Service Factor	1	Phase	1
Duty	Continuous	Insulation Class	B
Frame	56	Enclosure	Totally Enclosed Fan Cooled
Thermal Protection	Automatic	Ambient Temperature	40 °C
UL	Recognized	CSA	Y
CE	N	Number of Speeds	1

Technical Specifications

Electrical Type	Capacitor Start, Induction Run, Single Or Dual Voltage	Starting Method	Across The Line
Poles	2	Rotation	Reversible Counterclockwise
Mounting	Resilient Base	Drive End Bearing	Ball
Opp Drive End Bearing	Ball	Frame Material	Rolled Steel
Shaft Type	Keyed	Overall Length	11.21 in
Frame Length	4.13 in	Shaft Diameter	0.625 in
Shaft Extension	1.94 in		
Outline Drawing	B418	Connection Drawing	17050307.PCX

This is an uncontrolled document once printed or downloaded and is subject to change without notice. Date Created:11/29/2022



① **WORM GEAR DATA:**

NO. OF TEETH	24
DIAMETRAL PITCH	5.596
PRESSURE ANGLE	14 1/2°
PITCH DIAMETER	4.289
HAND	LEFT
HELIX ANGLE	20°59'
LEAD	2.2456
ADDENDUM	.223
DEDENDUM	.153
WHOLE DEPTH (APPROX)	.376
CENTER DISTANCE	3.076
PROCESS BACKLASH	

WORM THREAD DATA:

NO. OF THREADS	4
PITCH DIAMETER	1.863
HAND	LEFT
AXIAL PITCH (REF)	.5614
LEAD (REF)	2.2456
LEAD ANGLE (REF)	20°59'
BACKLASH (ASSEMBLED)	.006/.008

WORM MATE 831-235

REV	C.O. NO.	DATE	DESCRIPTION	BY
7	23554	9/27/00	KWY WAS .376/.378 & 1.547/1.542	TAM
6	13075	2/12/93	WAS 4.735	JB
5	13075	8/24/92	WAS 4.850/4.845	JB
4	12016	5/28/92	WAS 4.915/4.910	D.W.
3	11074	5/13/92	WAS 4.958/4.953	D.W.
2	4834	1/14/88	WAS: PR3482-6, RELEASE	WB
1	4604	10/21/87	WORM GEAR DATA REVISED	WB
X	4381	9-21-87	RELEASE TO PROTO	TCG

This drawing and the information contained hereon is the exclusive property of Durst Division Regal Beloit Corp and shall not be reproduced used or disclosed to others except as authorized through written consent from Durst Division Regal Beloit Corp

MODEL **A205** WHERE USED **6570**
DWN TCG DATE 7-24-87

CKD DATE MATERIAL **WCF 150 CAST BLANK**

SCALE FULL DWG SIZE B

MACH	TOL
X	± .030
XX	± .015
XXX	± .005
XXXX	± .001
ANG	± .30



TITLE WORM GEAR-BRONZE	
PART. NO B418	