

PRODUCT INFORMATION PACKET



Model No: B6507V1
Catalog No: B6507V1

Fan and Blower Motor, 1/5-1/6-1/10 HP, 1 Ph, 60 Hz, 230 V, 1075 RPM, 3 Speed, 42 Frame, OAO



Regal and Century are trademarks of Regal Rexnord Corporation or one of its affiliated companies.
©2022 Regal Rexnord Corporation, All Rights Reserved. MC017097E





Nameplate Specifications

Output HP	1/5-1/6-1/10 Hp	Output KW	0.15 kW
Frequency	60 Hz	Voltage	230 V
Current	1.3,0.9,0.7 A	Speed	1075 rpm
Service Factor	1	Phase	1
Duty	Air Over	Insulation Class	B
Frame	42Y	Enclosure	Open Air Over
Thermal Protection	Automatic	Ambient Temperature	40 °C
UL	Recognized	CSA	Y
CE	N	Number of Speeds	3

Technical Specifications

Electrical Type	Permanent Split Capacitor	Starting Method	Across The Line
Poles	6	Rotation	Reversible
Mounting	Resilient Rings	Motor Orientation	Horizontal
Drive End Bearing	Sleeve	Opp Drive End Bearing	Sleeve
Frame Material	N/A	Shaft Type	Flat
Overall Length	9.92 in	Shaft Diameter	0.500 in
Shaft Extension	5.5 in		
Outline Drawing	B6507V1-S01	Connection Drawing	7552A43F01

This is an uncontrolled document once printed or downloaded and is subject to change without notice. Date Created:11/29/2022

GENERAL INFORMATION:

SHAFT RUNOUT: .001 [.03] T.I.R. PER INCH LENGTH OF EXTENSION

END PLAY: .010 [.25] TO .063 [1.60]

BEARINGS: SLEEVE

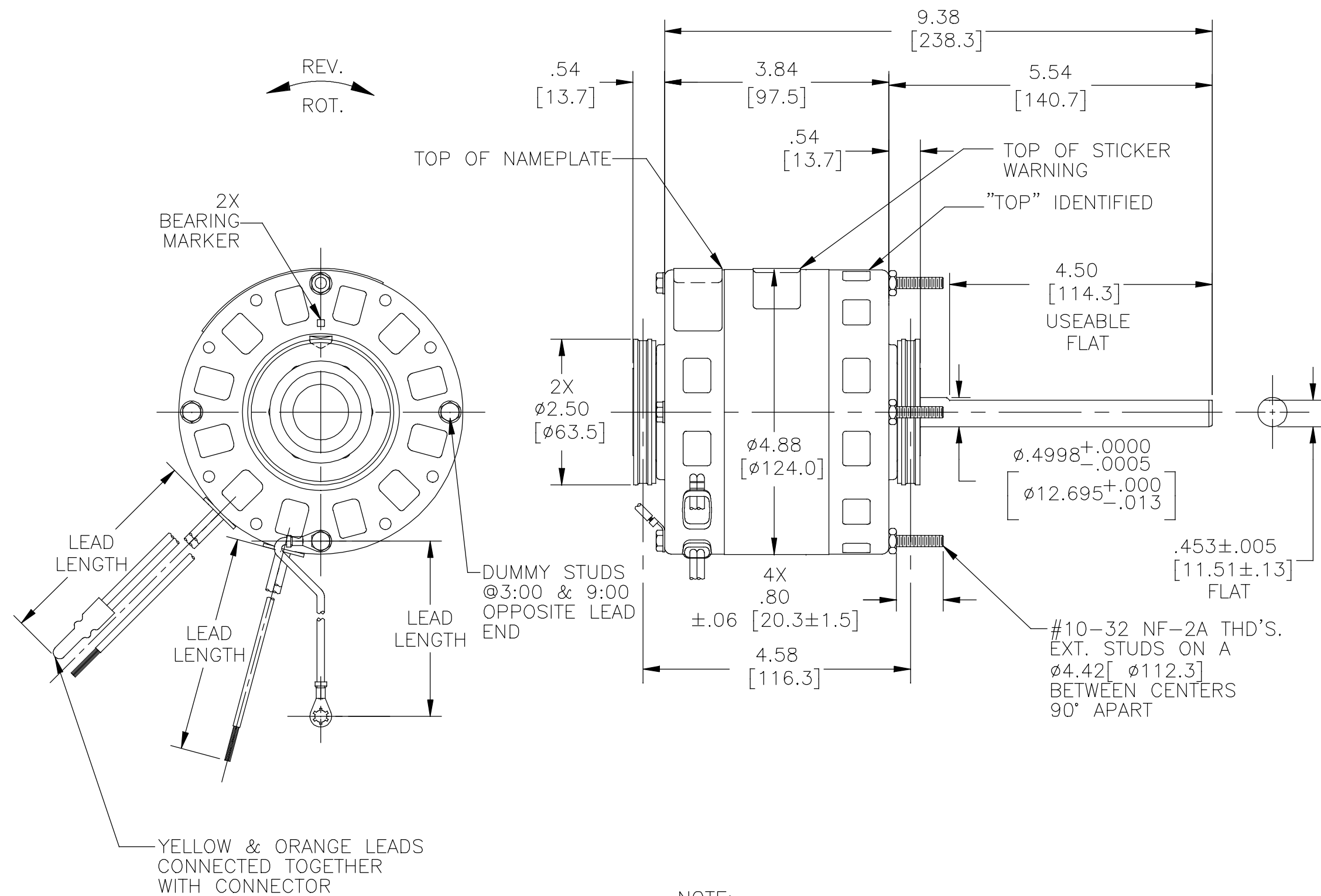
MOUNTING POSITION: HORIZONTAL

ELECTRICAL DATA:

OVERLOAD PROTECTOR: AUTOMATIC RESET (SENSATA 7AM 034)

LEADS: NO. 18 GA. .03 [.8] THK., 125°C INSUL.

GROUND LEAD: NO. 18 GA., .03 [.8] THK., (GREEN) INSUL.



NOTE:
DISTRIBUTION PART NUMBER: B6507V1
GRAINGER PART NUMBER: 4MB20

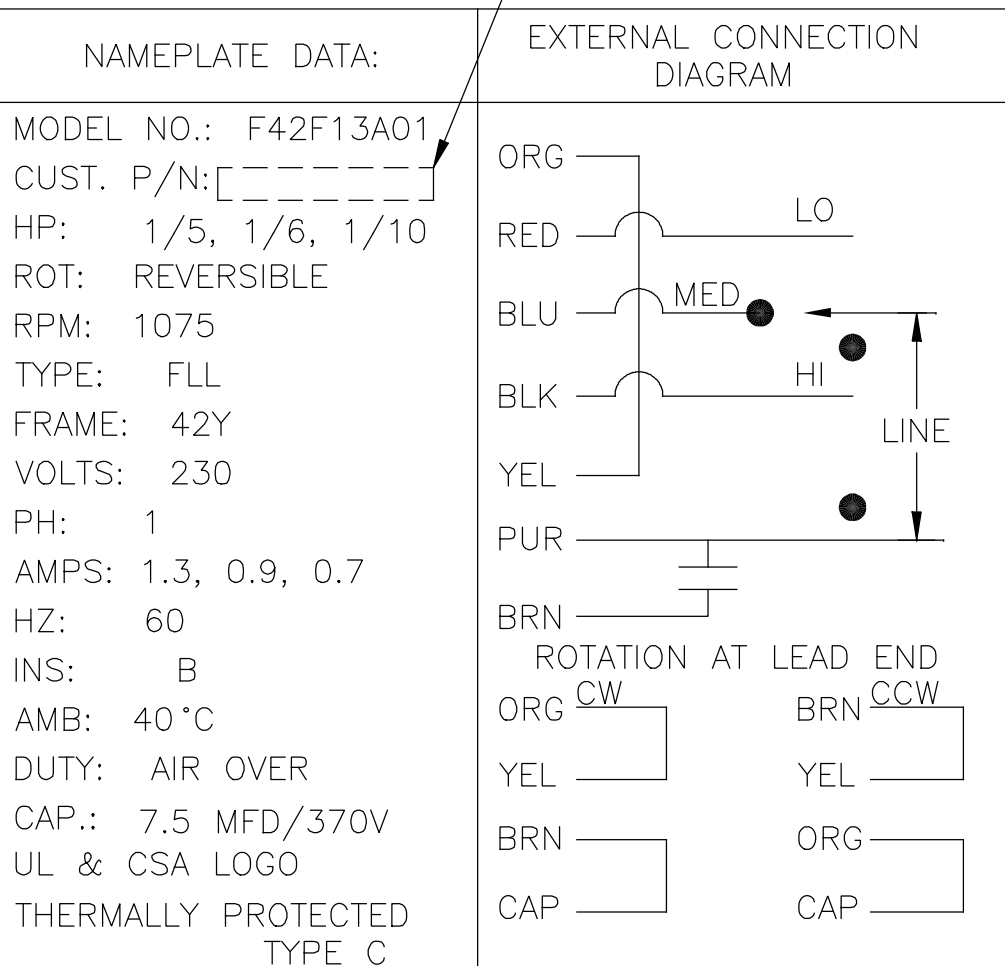
GREEN (GRD)	9.0/11.0 [229/279]	#10 EYELET
YELLOW	34.5/37.5 [876/952]	.60 [15.2] SKIN
ORANGE	34.5/37.5 [876/952]	.60 [15.2] SKIN
BROWN	34.5/37.5 [876/952]	.60 [15.2] SKIN
RED	34.5/37.5 [876/952]	.60 [15.2] SKIN
BLUE	34.5/37.5 [876/952]	.60 [15.2] SKIN
BLACK	34.5/37.5 [876/952]	.60 [15.2] SKIN
PURPLE	34.5/37.5 [876/952]	.60 [15.2] SKIN
COLOR	LENGTH	TERMINAL OR STRIP LENGTH

REGAL-BELOIT CORPORATION (RBC) PROVIDES TECHNICAL ASSISTANCE TO OUR CUSTOMERS IN SEVERAL AREAS. SINCE RBC DOES NOT RECEIVE ALL DATA CONCERNING THE USE AND APPLICATION OF THE MOTOR, THE SUITABILITY OF THE MOTOR FOR THE APPLICATION MUST BE DETERMINED BY THE CUSTOMER.

DIMENSIONS WITHOUT TOLERANCES ARE FOR REFERENCE ONLY.

MAIN FRAME - OLE	OPEN
END FRAME - OLE	OPEN
MAIN FRAME - LE	OPEN
END FRAME - LE	OPEN

CUSTOMER	DISTRIBUTION SERVICE
----------	----------------------



PERFORMANCE CURVE NO.	TORQUE @ 1086 RPM (50°C)	APPROVED SAMPLE	UL COMPONENT FILE #	CSA GUIDE #
670406	17.0 OZ. FT.	-	E46412 PRGY2	LR43341 4211-01

DRAWING REVISION F	REVISION BY J. RUPERT	DATE 07-02-2018
ECO-0145867	APPROVED BY J. RUPERT	DATE 07-02-2018

ECO DESCRIPTION
CORRECTED NAMEPLATE DATA

COPYRIGHT REGAL BELOIT AMERICA, INC. ALL RIGHTS RESERVED. PROPRIETARY AND CONFIDENTIAL INFORMATION - THIS DOCUMENT IS THE PROPERTY OF REGAL BELOIT AMERICA, INC. (OWNER) AND CONTAINS OWNER'S PROPRIETARY INFORMATION. ANY PERSON, CORPORATION OR OTHER FIRM RECEIVING IT IS DEEMED TO HAVE AGREED TO ACCEPT THAT IT, AND/OR ANY PART OF IT, SHALL NOT BE DISCLOSED TO ANY PERSON, CORPORATION OR OTHER ENTITY, DUPLICATED, AND/OR USED, EXCEPT AS EXPRESSLY APPROVED IN WRITING IN ADVANCE BY OWNER. THIS DOCUMENT SHALL BE RETURNED TO OWNER UPON REQUEST. IT MAY BE SUBJECT TO CERTAIN RESTRICTIONS UNDER APPLICABLE EXPORT CONTROL LAWS AND REGULATIONS.

DRAWN BY: J. RUPERT	DATE: 08-05-2004	APPROVED BY: J. RUPERT	DATE: 08-05-2004
REFERENCE: 11674-033	THIRD ANGLE PROJECTION	SIZE DWG NO: C	SHEET: 1
ENCLOSURE		REGAL™ Regal Beloit America, Inc.	
DESCRIPTION: MODEL RFHP-42FR OUTLINE		MATERIAL: PROCESS/FINISH:	
CUSTOMER: B6507V1		DISTRIBUTION SERVICE:	