

PRODUCT INFORMATION PACKET



Model No: B668

Catalog No: B668

Pool Pump Motor, 3/4 HP, 1 Ph, 60 Hz, 230/115 V, 3600 RPM, S56CZ Frame, DP



Regal and Century are trademarks of Regal Rexnord Corporation or one of its affiliated companies.

©2022 Regal Rexnord Corporation, All Rights Reserved. MC017097E





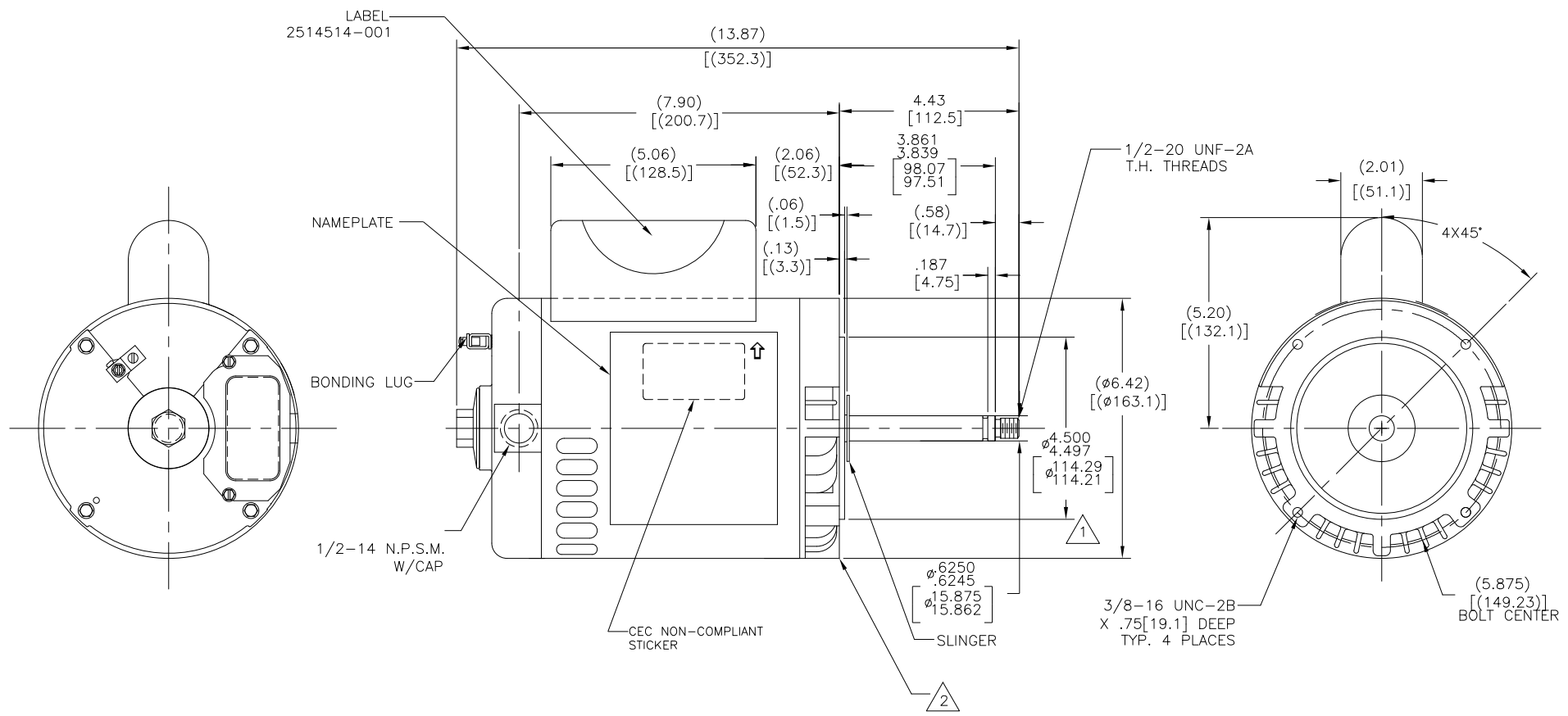
Nameplate Specifications

Output HP	3/4 Hp	Output KW	0.56 kW
Frequency	60 Hz	Voltage	230/115 V
Current	SF 6.5/13.0 A	Speed	3450 rpm
Service Factor	1.5	Phase	1
Duty	Continuous	Insulation Class	B
Frame	S56CZ	Enclosure	Drip Proof
Thermal Protection	Thermally Protected	Ambient Temperature	40 °C
UL	Recognized	CSA	Y
Number of Speeds	1		

Technical Specifications

Electrical Type	Permanent Split Capacitor, Single Or Dual Voltage	Poles	2
Rotation	Counterclockwise Pump End	Mounting	Special/Non-Standard
Motor Orientation	Horizontal	Drive End Bearing	Ball
Opp Drive End Bearing	Ball	Frame Material	Rolled Steel
Shaft Type	1/2 Threaded	Overall Length	13.87 in
Frame Length	6.38 in	Shaft Diameter	0.625 in
Shaft Extension	4.43 in		
Connection Drawing	17536715.PCX	Outline Drawing	B668-S01

This is an uncontrolled document once printed or downloaded and is subject to change without notice. Date Created:11/28/2022



NAMEPLATE DATA	EXTERNAL CONNECTION DIAGRAM	NOTES
MODEL: 187400 CUST PN: B668 HP: 3/4 SF: 1.50 ROT: CCWPE RPM: 3450 TYPE: CX CODE: J FORM: - FRAME: S56CZ VOLTS: 230/115 AMPS: SF 6.5/13.0 MAX AMPS: - SF AMPS: - PH: 1 HZ: 60 INS: B AMB: 40°C DUTY: CONT ENCLOSURE: DP THERMALLY PROTECTED		1 Δ PILOT DIAMETER IS CONCENTRIC WITH SHAFT CENTERLINE WITHIN .004[.10] T.I.R. 2 FACE OF MOUNTING FLANGE IS PERPENDICULAR TO SHAFT CENTERLINE WITHIN .004[.10] T.I.R. 3 SHAFT RUNOUT NOT TO EXCEED .002[.05] T.I.R. 4 FOR THREADED SHAFT EXT. MATING PARTS SHOULD BE RELIEVED ONE THREAD TO CLEAR FILLET 5 END PLAY NOT TO EXCEED .010[.25] MEASURED WITH NO THRUST 6 ALL DIMENSIONS SHOWN IN PARENTHESIS ARE REFERENCE DIMENSIONS. 7 CTQ REQUIREMENT SEE EPO00105-008 8 RoHS & REACH REQUIREMENT SEE EPO00014.

PERFORMANCE CURVE	APPROVED SAMPLE
16345111	-
UL COMPONENT	CSA
FILE# CCN# FILE# GUIDE#	
E14663 XEW42 LR4642 4211-01	
CUSTOMER	DISTRIBUTION

CRITICAL TO QUALITY CHARACTERISTICS (CTQs) (P) PROCESS (E) ENGINEERING (A) APPLICATION (R) REGULATORY (L) LIFE	DRAWING REVISION: F ECO: ECR-0216843 SEE ECR	REVISION BY: HAIKUA ZHANG APPROVED BY: TRISTIA ZHAO	DATE: 04-09-2022 DATE: 04-09-2022	TOLERANCES UNLESS OTHERWISE SPECIFIED DEC. INCH mm ANGLE .X ±0.1 [±3] ±0.5° .XX ±0.02 [±0.5] .XXX ±0.005 [±0.13] .XXXX ±0.0005 [±0.013] REMOVE BURRS & BREAK SHARP EDGES .003/.015 [.08/.38] CORNER FILLETS .02 [5] MACHINED SURFACES .125 [3.18] INCH mm 1/32	DRAWN BY: YL DATE: 11-19-2010 APPROVED BY: TZ DATE: 11-19-2010 REFERENCE: - THIRD ANGLE PROJECTION	Regal Beloit America, Inc. DESCRIPTION: MODEL-CFHP-56FR OUTLINE MATERIAL: - PROCESS/FINISH: - SIZE DWG NO: C B668 SHEET: 1
	COPYRIGHT REGAL BELOIT AMERICA, INC. ALL RIGHTS RESERVED. PROPRIETARY AND CONFIDENTIAL INFORMATION - THIS DOCUMENT IS THE PROPERTY OF REGAL BELOIT AMERICA, INC. (OWNER) AND CONTAINS OWNER'S PROPRIETARY INFORMATION. ANY PERSON, CORPORATION OR OTHER ENTITY, DUPLICATED, AND/OR USED EXCEPT AS EXPRESSLY APPROVED IN WRITING IN ADVANCE BY OWNER. THIS DOCUMENT SHALL BE RETURNED TO OWNER UPON REQUEST. IT MAY BE SUBJECT TO CERTAIN RESTRICTIONS UNDER APPLICABLE EXPORT CONTROL LAWS AND REGULATIONS.			3 of 3	1	