

PRODUCT INFORMATION PACKET



Model No: B672ES
Catalog No: B672ES
1.0 HP General Purpose Motor, 1 phase, 3600 RPM, 115/230 V, 56C Frame, ODP
General Purpose Motors



Regal and Century are trademarks of Regal Rexnord Corporation or one of its affiliated companies.
©2021 Regal Rexnord Corporation, All Rights Reserved. MC017097E





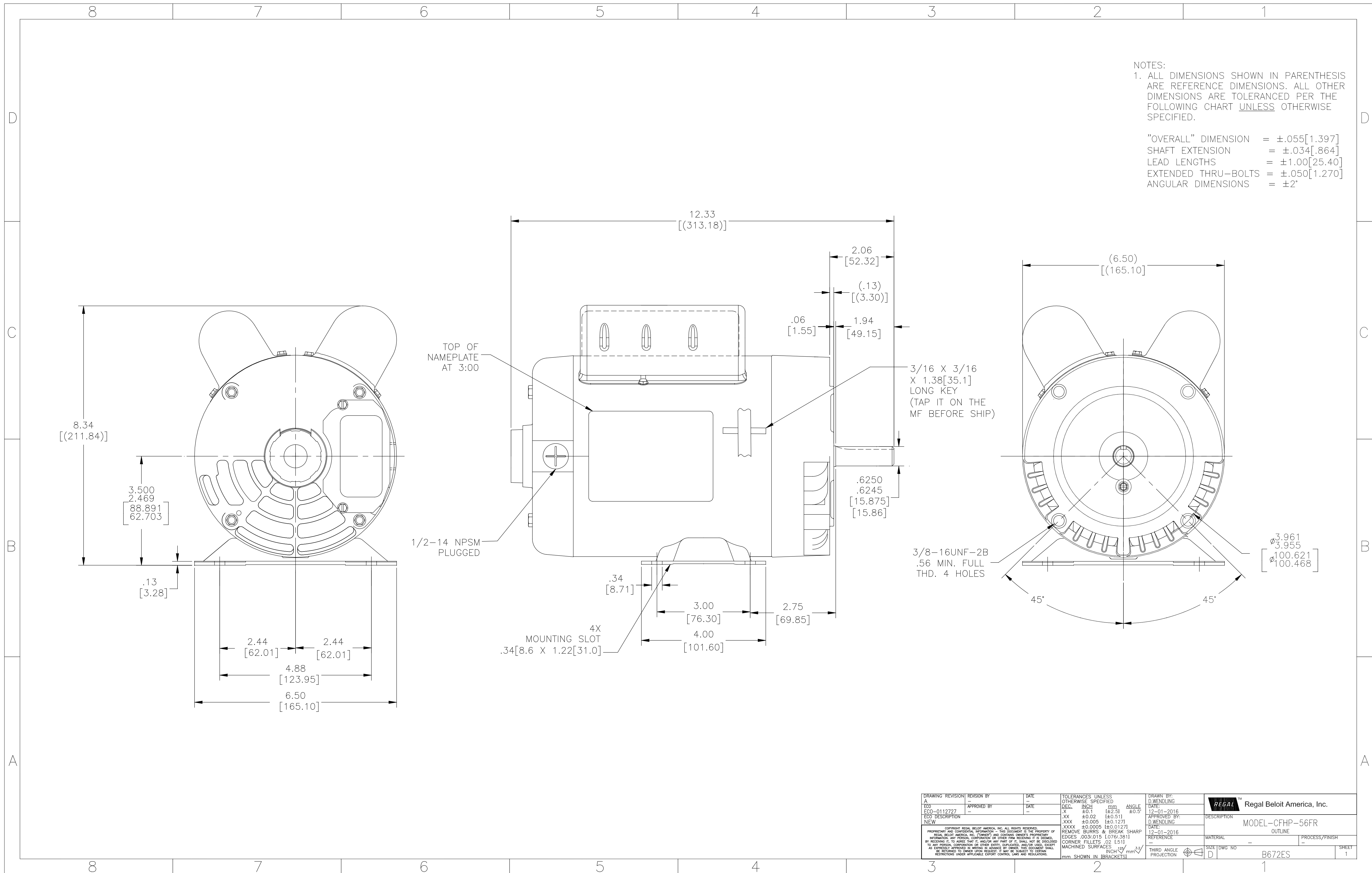
Nameplate Specifications

Output HP	1.0 Hp	Output KW	0.75 kW
Frequency	60 Hz	Voltage	115/230 V
Current	6.4-6.4/12.8 A	Speed	3450 rpm
Service Factor	1.15	Phase	1
Duty	Continuous	Insulation Class	B
Frame	K56C	Enclosure	Drip Proof
Thermal Protection	Automatic	Ambient Temperature	40 °C
UL	Recognized	CSA	Y
CE	Y	Number of Speeds	1

Technical Specifications

Electrical Type	Capacitor Start, Induction Run, Single Or Dual Voltage	Starting Method	Across The Line
Poles	2	Rotation	Reversible Clockwise
Mounting	Rigid Base	Drive End Bearing	Ball
Opp Drive End Bearing	Ball	Frame Material	Rolled Steel
Shaft Type	Keyed	Overall Length	12.33 in
Frame Length	6.38 in	Shaft Diameter	0.625 in
Shaft Extension	2.07 in		
Connection Drawing	17865001	Outline Drawing	B672ES

This is an uncontrolled document once printed or downloaded and is subject to change without notice. Date Created:10/12/2021



DRAWING REVISION A	REVISION BY -	DATE -	TOLERANCES UNLESS OTHERWISE SPECIFIED DEC. INCH mm ANGLE	DRAWN BY D.WENDLING	Regal Beloit America, Inc. DESCRIPTION MODEL-CFHP-56FR OUTLINE
ECCO-0112727	APPROVED BY -	DATE -	.X ±0.1 [±2.5] ±0.5' .XX ±0.02 [±0.51] .XXX ±0.005 [±0.127]	DATE 12-01-2016	
ECCO DESCRIPTION NEW			.XXXX ±0.0005 [±0.0127] REMOVE BURRS & BREAK SHARP EDGES .003/.015 [0.076/.381] CORNER FILLETS .02 [5.1] MACHINED SURFACES $\frac{1}{32}$ INCH $\sqrt{}$ mm $\sqrt{}$	APPROVED BY D.WENDLING	MATERIAL -
			THIRD ANGLE PROJECTION	DATE 12-01-2016	PROCESS/FINISH -
				REFERENCE -	SIZE (DWG NO) B672ES
					SHEET 1