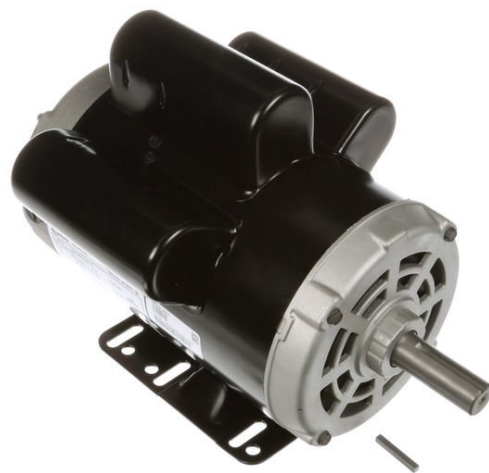


# PRODUCT INFORMATION PACKET

Model No: B685

Catalog No: B685

Air Compressor Motor, 1/2 HP, 1 Ph, 60 Hz, 115/230 V, 3600 RPM, S56 Frame, DP



Regal and are trademarks of Regal Rexnord Corporation or one of its affiliated companies.  
©2022 Regal Rexnord Corporation, All Rights Reserved. MC017097E

**Nameplate Specifications**

|                    |                     |                     |            |
|--------------------|---------------------|---------------------|------------|
| Output HP          | 1/2 Hp              | Output KW           | 0.37 kW    |
| Frequency          | 60 Hz               | Voltage             | 115/230 V  |
| Current            | 9.6/4.8 A           | Speed               | 3450 rpm   |
| Service Factor     | 1                   | Phase               | 1          |
| Duty               | Continuous          | Insulation Class    | B          |
| Frame              | S56                 | Enclosure           | Drip Proof |
| Thermal Protection | Thermally Protected | Ambient Temperature | 40 °C      |
| UL                 | Recognized          | CSA                 | Y          |
| CE                 | N                   | Number of Speeds    | 1          |

**Technical Specifications**

|                       |                                   |                   |                 |
|-----------------------|-----------------------------------|-------------------|-----------------|
| Electrical Type       | Capacitor Start , Special Service | Starting Method   | Across The Line |
| Poles                 | 2                                 | Rotation          | Clockwise       |
| Mounting              | Rigid Base                        | Drive End Bearing | Ball            |
| Opp Drive End Bearing | Ball                              | Frame Material    | Rolled Steel    |
| Shaft Type            | Keyed                             | Overall Length    | 10.97 in        |
| Frame Length          | 6.38 in                           | Shaft Diameter    | 0.625 in        |
| Shaft Extension       | 1.94 in                           |                   |                 |
| Connection Drawing    | 17050405.PCX                      | Outline Drawing   | 172829-S01      |

This is an uncontrolled document once printed or downloaded and is subject to change without notice. Date Created:09/07/2022

4

3

2

1

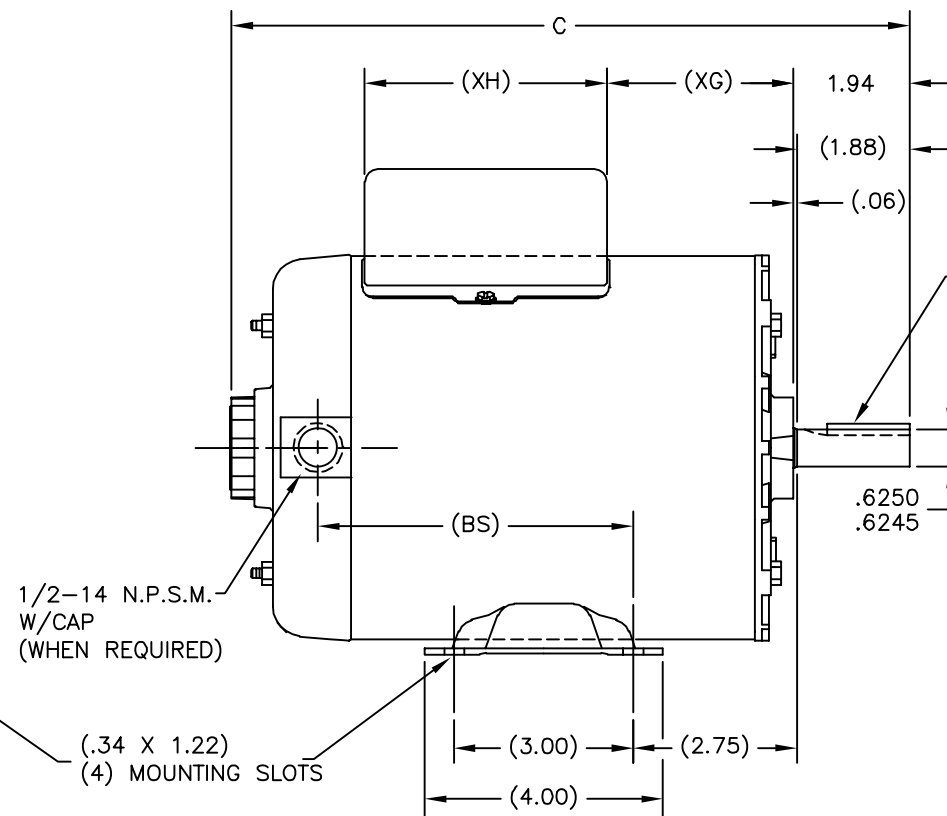
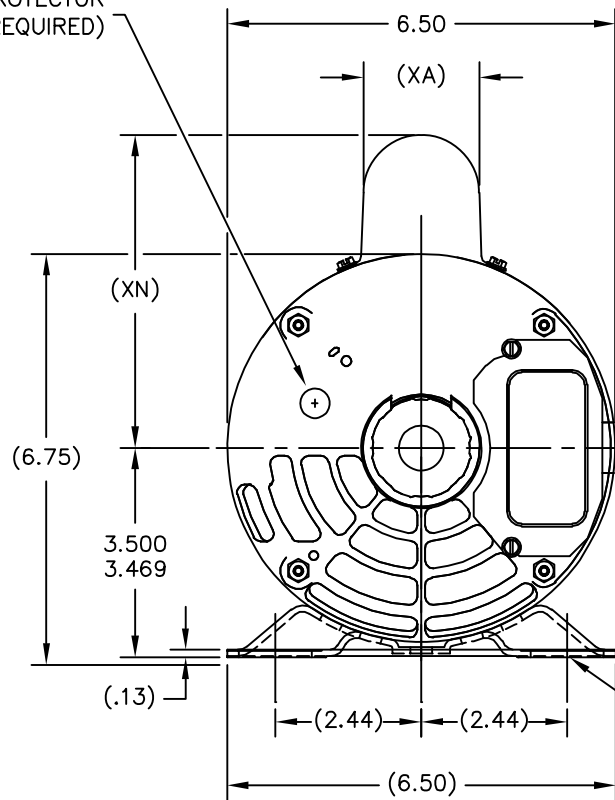
| REV | ECO     | REV BY | DATE       | APPD   | DATE       |
|-----|---------|--------|------------|--------|------------|
| G   | 0025367 | L.LI   | 04-17-2012 | B.SHEN | 04-17-2012 |

| GRP | TYPE | FRAME | C     | (BS) | (XA) | (XG) | (XH) | (XN) |
|-----|------|-------|-------|------|------|------|------|------|
| 01  | CSS  | S56   | 10.97 | 4.90 | 1.64 | 2.74 | 4.08 | 4.87 |
| 02  | CSS  | U56   | 11.59 | 5.52 | 2.01 | 3.36 | 4.06 | 5.20 |
| 03  | CS   | X56   | 12.09 | 6.02 | 2.01 | 3.86 | 4.06 | 5.20 |
| 04  | CS   | M56   | 11.34 | 5.27 | 2.01 | 3.11 | 4.06 | 5.20 |
| 05  | CSS  | S56   | 10.97 | 4.90 | 2.01 | 2.74 | 4.06 | 5.20 |

ALL DIMENSIONS SHOWN IN PARENTHESIS ARE REFERENCE DIMENSIONS. ALL OTHER DIMENSIONS ARE TOLERANCED PER THE FOLLOWING CHART UNLESS OTHERWISE SPECIFIED.

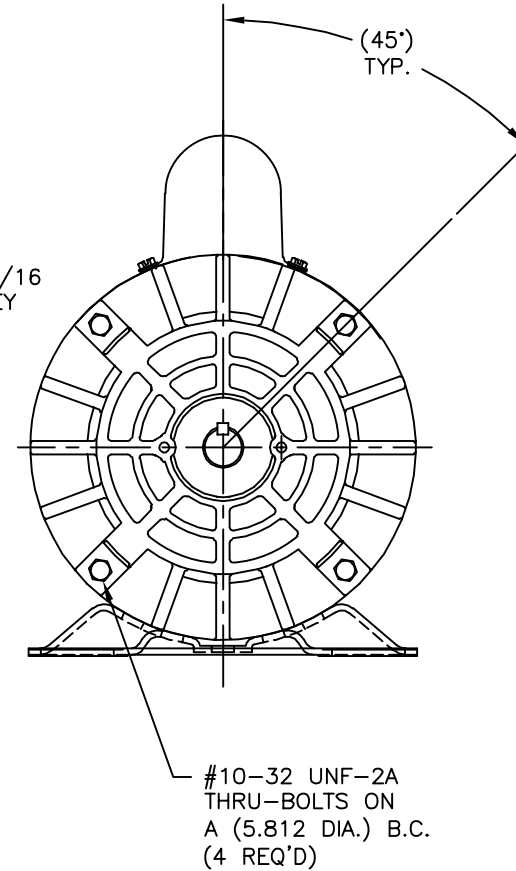
"C" DIM. = +/- .055  
 SHAFT EXT. = +/- .034  
 LEAD LENGTHS = +/- 1.00  
 EXTENDED THRU-BOLTS = +/- .050  
 ANG DIM = +/- 2'

MANUAL PROTECTOR (WHEN REQUIRED)



3/16 X 3/16 X 1.38 KEY

.6250  
.6245



GEOMETRIC CHARACTERISTICS & SYMBOLS

- FLATNESS
- STRAIGHTNESS
- ∠ ANGULARITY
- ⊥ PERPENDICULARITY (SQUARENESS)
- ∥ PARALLELISM
- ROUNDNESS (CIRCULARITY)
- ⊘ CYLINDRICITY
- △ PROFILE OF ANY SURFACE
- ∩ PROFILE OF ANY LINE
- ↗ RUNOUT
- ⊕ TRUE POSITION
- ⊙ CONCENTRICITY
- ≡ SYMMETRY

ASME Y14.5M 1994

UNLESS OTHERWISE SPECIFIED DIM. TOLERANCES ARE AS FOLLOWS:

|      |      |       |        |        |
|------|------|-------|--------|--------|
| INCH | ±.1  | ±.02  | ±.005  | ±.0005 |
| mm   | ±0.5 | ±0.13 | ±0.013 |        |

ANG. ±.50 DEG  
 REMOVE BURRS & BREAK SHARP EDGES:  
 INCH .003-.015 mm 0.1-0.4  
 CORNER FILLETS TO:  
 INCH .020 mm 0.5  
 MACHINE SURFACES:  
 INCH 125 mm 3.2

METRIC DIMS. SHOWN IN [BRACKETS]

|  |    |                                     |
|--|----|-------------------------------------|
| DR BY:   | GS | 08-07-1986                          |
| APPD:  | MH | 09-09-1985                          |
| THIRD ANGLE PROJECTION   |    | EDS DATE 11-11-2011<br>FORMAT REV G |
| CONFIDENTIAL: THIS DRAWING AND ITS INFORMATION ARE THE EXCLUSIVE AND CONFIDENTIAL PROPERTY OF REGAL-BELOIT CORPORATION AND ARE NOT TO BE DISCLOSED, DUPLICATED, DISTRIBUTED OR OTHERWISE USED WITHOUT THE WRITTEN CONSENT OF REGAL-BELOIT CORPORATION. -ALL RIGHTS RESERVED. |    |                                     |

|                               |                  |
|-------------------------------|------------------|
|                               |                  |
| DESCRIPTION<br><b>OUTLINE</b> |                  |
| SIZE<br>C                     | DWG NO<br>172829 |
| SCALE<br>NONE                 | SHEET<br>1       |

4

3

2

1

4

3

2

1

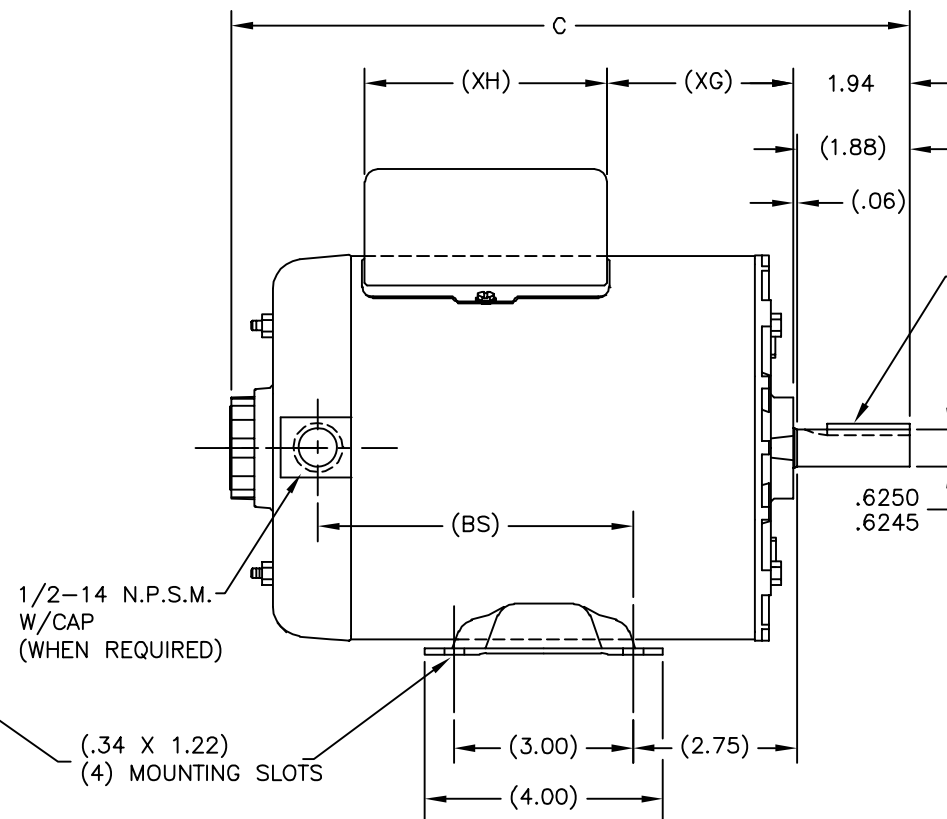
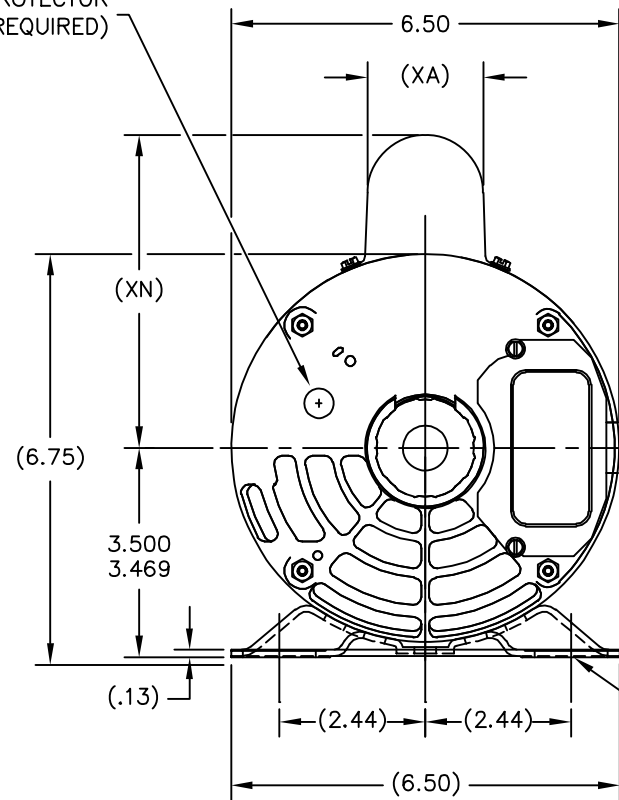
|           |         |               |            |               |            |
|-----------|---------|---------------|------------|---------------|------------|
| REVISION: | ECO     | REVISADO POR: | FECHA:     | APROBADO POR: | FECHA:     |
| G         | 0025367 | L.LI          | 04-17-2012 | B.SHEN        | 04-17-2012 |

| GRP | TYPE | FRAME | C     | (BS) | (XA) | (XG) | (XH) | (XN) |
|-----|------|-------|-------|------|------|------|------|------|
| 01  | CSS  | S56   | 10.97 | 4.90 | 1.64 | 2.74 | 4.08 | 4.87 |
| 02  | CSS  | U56   | 11.59 | 5.52 | 2.01 | 3.36 | 4.06 | 5.20 |
| 03  | CS   | X56   | 12.09 | 6.02 | 2.01 | 3.86 | 4.06 | 5.20 |
| 04  | CS   | M56   | 11.34 | 5.27 | 2.01 | 3.11 | 4.06 | 5.20 |
| 05  | CSS  | S56   | 10.97 | 4.90 | 2.01 | 2.74 | 4.06 | 5.20 |

ALL DIMENSIONS SHOWN IN PARENTHESIS ARE REFERENCE DIMENSIONS. ALL OTHER DIMENSIONS ARE TOLERANCED PER THE FOLLOWING CHART UNLESS OTHERWISE SPECIFIED.

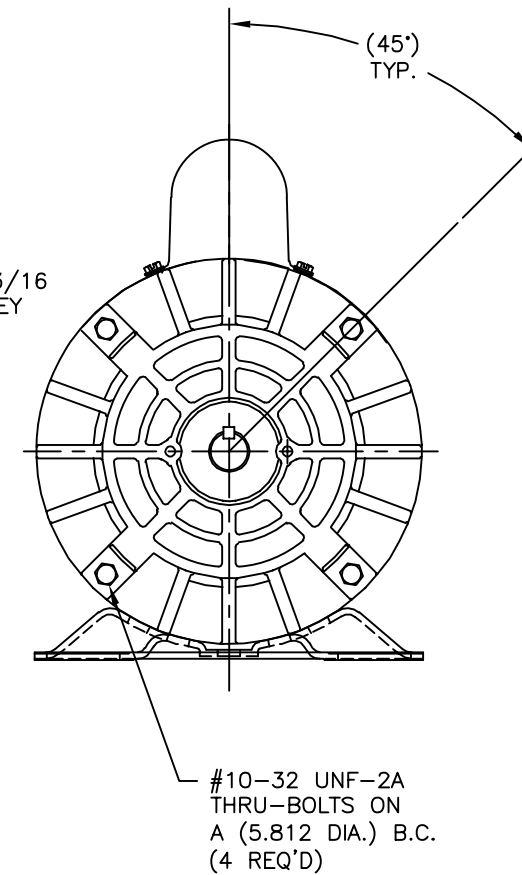
"C" DIM. = +/- .055  
 SHAFT EXT. = +/- .034  
 LEAD LENGTHS = +/- 1.00  
 EXTENDED THRU-BOLTS = +/- .050  
 ANG DIM = +/- 2'

MANUAL PROTECTOR (WHEN REQUIRED)



3/16 X 3/16 X 1.38 KEY

.6250  
.6245



CARACTERISTICAS DE GEOMETRIA Y SIMBOLOS

- PLANICIDAD
- RECTITUD
- ∠ ANGULARIDAD
- ⊥ PERPENDICULARIDAD (A ESCUADRA)
- // PARALELISMO
- REDONDEZ (CIRCULARIDAD)
- ⊘ CILINDRICIDAD
- △ PERFIL DE CUALQUIER SUPERFICIE
- ∧ PERFIL DE CUALQUIER LINEA
- ↑ VARIACION
- ⊕ POSICION REAL
- ⊙ CONCENTRICIDAD
- = SIMETRIA

ASME Y14.5M 1994

A MENOS QUE SE ESPECIFIQUE DE OTRA MANERA, LAS TOLERANCIAS DE LAS DIMS; SON LAS SIGUIENTES:

PULG ±.1 ±.02 ±.005 ±.0005  
 mm ±0.5 ±0.13 ±0.013

ANG. ± 50 GRADOS

ELIMINAR REBABAS Y ORILLAS FILOSAS DEL BORDE.

PULG .003-.015 mm 0.1-0.4  
 FILETEAR ESQUINA: PULG .020 mm 0.5  
 MAQUINAR SUPERFICIES  
 PULG 125 mm .32

DIMS METRICAS MOSTRADAS [PARENTESIS]

|   |    |  |
|---|----|--|
| DIBUJADO POR:   | GS | 08-07-1986                               |
| APROBADO POR:   | MH | 09-09-1985                               |
| TERCER ANGULO DE PROYECCION   | ⊕  | FECHA EDS: 11-11-2011<br>REV. FORMATO: G |
| CONFIDENCIAL: ESTE DIBUJO Y SU INFORMACION SON PROPIEDAD DE USO EXCLUSIVO Y CONFIDENCIAL DE REGAL-BELOIT CORPORATION. Y NO DEBERAN SER REVELADOS, DUPLICADOS, DISTRIBUIDOS O USARSE DE OTRA MANERA SIN EL CONSENTIMIENTO ESCRITO DE REGAL-BELOIT CORPORATION. -TODOS LOS DERECHOS RESERVADOS. |    |  |

|                             |                          |
|-----------------------------|--------------------------|
|                             |                          |
| DESCRIPCION: <b>OUTLINE</b> |                          |
| TAMAÑO: C                   | NUMERO DE DIBUJO: 172829 |
| ESCALA: NONE                | HOJA: 1                  |

4

3

2

1

4

3

2

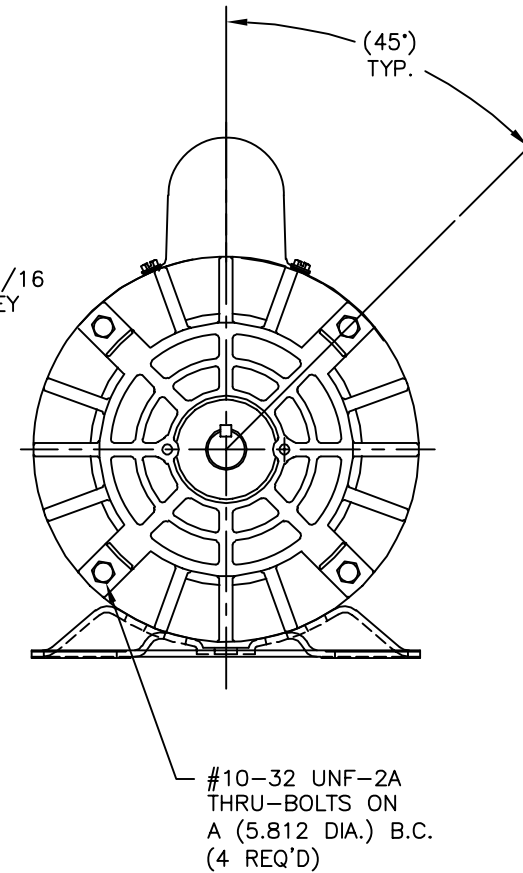
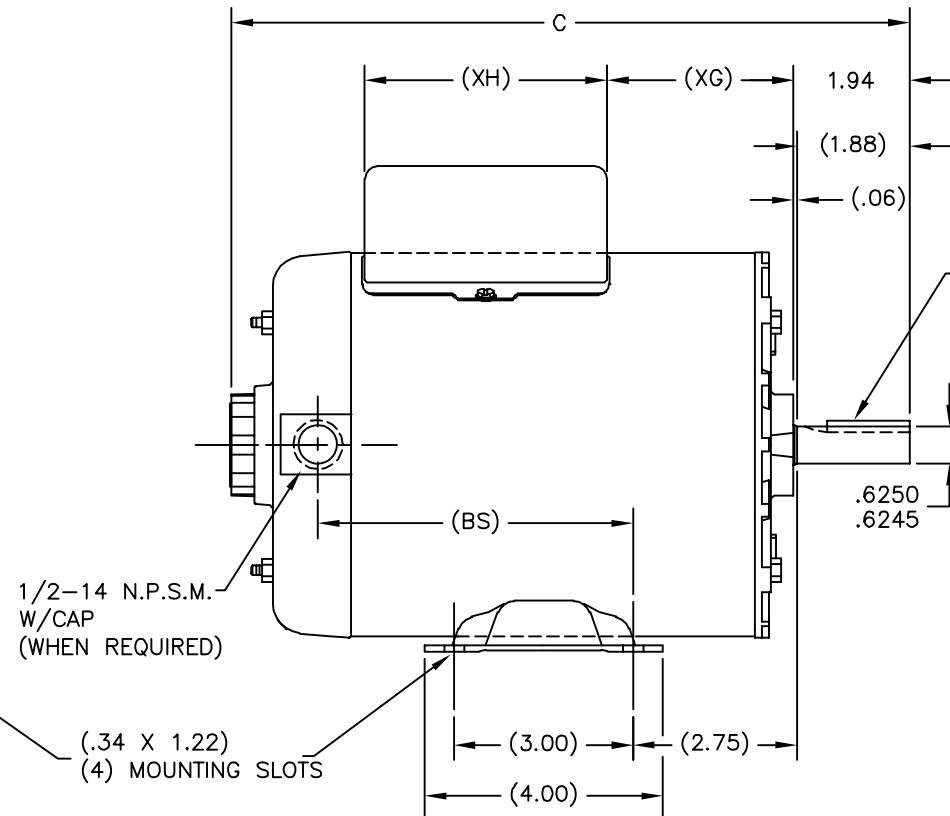
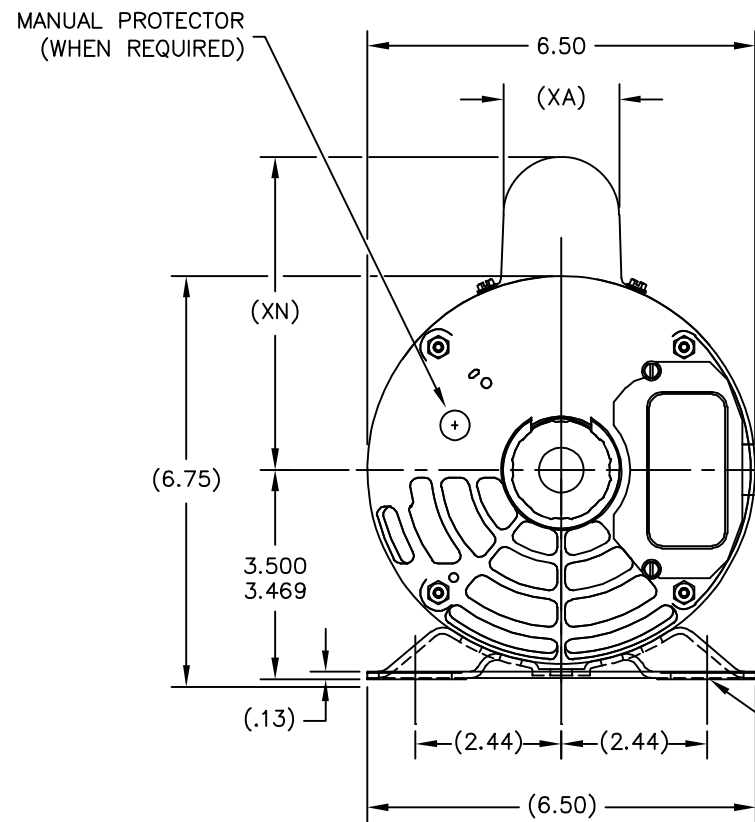
1

|    |         |      |            |        |            |
|----|---------|------|------------|--------|------------|
| 版本 | ECO     | 编制   | 日期         | 批准     | 日期         |
| G  | 0025367 | L.LI | 04-17-2012 | B.SHEN | 04-17-2012 |

| GRP | TYPE | FRAME | C     | (BS) | (XA) | (XG) | (XH) | (XN) |
|-----|------|-------|-------|------|------|------|------|------|
| 01  | CSS  | S56   | 10.97 | 4.90 | 1.64 | 2.74 | 4.08 | 4.87 |
| 02  | CSS  | U56   | 11.59 | 5.52 | 2.01 | 3.36 | 4.06 | 5.20 |
| 03  | CS   | X56   | 12.09 | 6.02 | 2.01 | 3.86 | 4.06 | 5.20 |
| 04  | CS   | M56   | 11.34 | 5.27 | 2.01 | 3.11 | 4.06 | 5.20 |
| 05  | CSS  | S56   | 10.97 | 4.90 | 2.01 | 2.74 | 4.06 | 5.20 |

ALL DIMENSIONS SHOWN IN PARENTHESIS ARE REFERENCE DIMENSIONS. ALL OTHER DIMENSIONS ARE TOLERANCED PER THE FOLLOWING CHART UNLESS OTHERWISE SPECIFIED.

"C" DIM. = +/- .055  
 SHAFT EXT. = +/- .034  
 LEAD LENGTHS = +/- 1.00  
 EXTENDED THRU-BOLTS = +/- .050  
 ANG DIM = +/- 2'



|        |                          |
|--------|--------------------------|
| 形位公差   | 除另有注明                    |
| □ 平面度  | 尺寸公差如下:                  |
| — 直线度  | 英寸 X XX XXX XXXX         |
| ∠ 倾斜度  | 英寸 ±.1 ±.02 ±.005 ±.0005 |
| ⊥ 垂直度  | 毫米 ±0.5 ±0.13 ±0.013     |
| // 平行度 | 角度 ±.50 度                |
| ○ 圆度   | 清理毛刺和尖棱                  |
| ⊘ 圆柱度  | 英寸 .003-.015 毫米 0.1-0.4  |
| △ 面轮廓度 | 内圆角                      |
| ∩ 线轮廓度 | 英寸 .020 毫米 0.5           |
| ⤴ 圆跳动  | 表面粗糙度                    |
| ⊕ 位置度  | 英制 125 米制 3.2            |
| ⊙ 同轴度  | 米制尺寸显示在 [ ]              |
| ≡ 对称度  |                          |

ASME Y14.5M 1994

|  |    |                                 |
|--|----|---------------------------------|
| 绘图:  | GS | 08-07-1986                      |
| 批准:  | MH | 09-09-1985                      |
| 第三角投影  |    | 图纸格式发布日期 11-11-2011<br>图纸格式版本 G |
| 机密: 本图纸及相关信息所有权归REGAL-BELOIT CORPORATION. 未经REGAL-BELOIT CORPORATION书面授权, 不得泄露、复制、传播或作其他用途。一版权所有 |    |                                 |

|    |         |
|----|---------|
|    |         |
| 名称 | OUTLINE |
| 图幅 | C       |
| 图号 | 172829  |
| 比例 | NONE    |
| 页号 | 1       |

4

3

2

1