

PRODUCT INFORMATION PACKET



Model No: B795
Catalog No: B795

Pool Pump Motor, 1.5 HP, 1 Ph, 60 Hz, 208-230/115 V, 3600 RPM, P56C Frame, DP



Regal and Century are trademarks of Regal Rexnord Corporation or one of its affiliated companies.
©2022 Regal Rexnord Corporation, All Rights Reserved. MC017097E





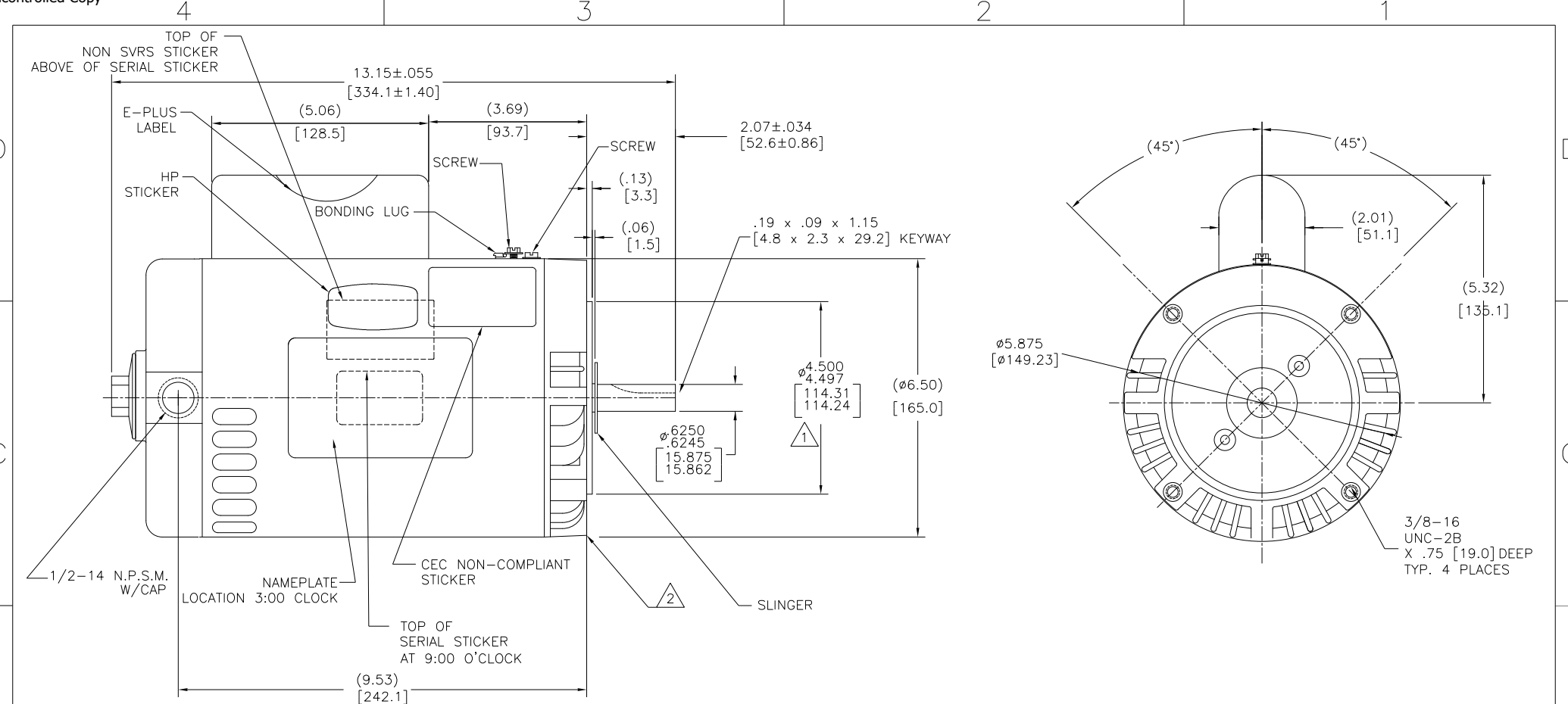
Nameplate Specifications

Output HP	1.5 Hp	Output KW	1.1 kW
Frequency	60 Hz	Voltage	208-230/115 V
Current	SF 8.7-7.8/15.6 A	Speed	3450 rpm
Service Factor	1.3	Phase	1
Duty	Continuous	Insulation Class	B
Frame	P56C	Enclosure	Drip Proof
Thermal Protection	Thermally Protected	Ambient Temperature	50 °C
UL	Recognized	CSA	Y
Number of Speeds	1		

Technical Specifications

Electrical Type	Permanent Split Capacitor, Single Or Dual Voltage	Poles	2
Rotation	Counterclockwise Pump End	Mounting	Round
Motor Orientation	Horizontal	Drive End Bearing	Ball
Opp Drive End Bearing	Ball	Frame Material	Rolled Steel
Shaft Type	5/8 Keyed	Overall Length	13.19 in
Frame Length	8.00 in	Shaft Diameter	0.625 in
Shaft Extension	2.07 in		
Connection Drawing	17536715.PCX	Outline Drawing	B795

This is an uncontrolled document once printed or downloaded and is subject to change without notice. Date Created:11/28/2022



NAMEPLATE DATA	EXTERNAL CONNECTION DIAGRAM	NOTES
MODEL: 165121 CUST PN: B795 HP: 1.5 SF: 1.30 ROT: CCWPE RPM: 3450 TYPE: CX CODE: G FORM: FRAME: P 56 C VOLTS: 208-230/115 AMPS: SF 8.7-7.8/15.6 MAX AMPS: SF AMPS: - PH: HZ: 60 INS: B AMB: 50°C DUTY: CONT ENCLOSURE: ODP THERMALLY PROTECTED	<p>17536715</p> <p>LOW VOLTAGE: BROWN → B, WHITE → A</p> <p>HIGH VOLTAGE: WHITE → B, BROWN → A</p> <p>NON-REVERSIBLE</p>	<ol style="list-style-type: none"> PILOT DIAMETER IS CONCENTRIC WITH SHAFT CENTERLINE WITHIN .004 T.I.R. FACE OF MOUNTING FLANGE IS PERPENDICULAR TO SHAFT CENTERLINE WITHIN .004 T.I.R. SHAFT RUNOUT NOT TO EXCEED .002 T.I.R. END PLAY NOT TO EXCEED .010 MEASURED WITH NO THRUST ALL DIMENSIONS SHOWN IN PARENTHESIS ARE REFERENCE DIMENSIONS.

PERFORMANCE CURVE	APPROVED SAMPLE		
16380711			
UL COMPONENT	CSA		
FILE#	CCN#	FILE#	GUIDE#
E14663	XEWR2	LR4642	4211-01
CUSTOMER	DISTRIBUTION		

DRAWING REVISION	REVISION BY	DATE	TOLERANCES UNLESS OTHERWISE SPECIFIED	DRAWN BY:	
F	D.SURYAWANSHI	03/29/2022	DEC. INCH mm ANGLE	AS	
ECO	APPROVED BY	DATE	.X ±0.1 [±2.5] ±0.5	DATE:	10/21/2010
ECR-0216537			.XX ±0.02 [±0.51]	APPROVED BY:	TZ
SEE ECO			.XXX ±0.005 [±0.127]	DATE:	10/21/2010
<small>COPYRIGHT REGAL BELOIT AMERICA, INC. ALL RIGHTS RESERVED. PROPRIETARY AND CONFIDENTIAL INFORMATION - THIS DOCUMENT IS THE PROPERTY OF REGAL BELOIT AMERICA, INC. (OWNER) AND CONTAINS OWNER'S PROPRIETARY INFORMATION. ANY REPRODUCTION OR OTHER FIRM RECEIVING IT IS DENIED. BY RECEIVING IT, TO AGREE THAT IT, AND/OR ANY PART OF IT, SHALL NOT BE DISCLOSED TO ANY PERSON, CORPORATION OR OTHER ENTITY, DUPLICATED, AND/OR USED, EXCEPT AS EXPRESSLY APPROVED IN WRITING IN ADVANCE BY OWNER. THIS DOCUMENT SHALL BE RETURNED TO OWNER UPON REQUEST. IT MAY BE SUBJECT TO CERTAIN RESTRICTIONS UNDER APPLICABLE EXPORT CONTROL LAWS AND REGULATIONS.</small>			.XXXX ±0.0005 [±0.0127] REMOVE BURRS & BREAK SHARP EDGES .003/015 [0.076/381] X 45° CORNER FILLETS R.02 [51] MACHINED SURFACES .125/32 mm SHOWN IN [BRACKETS]	DESCRIPTION	MODEL-CFHP-56FR OUTLINE
			THIRD ANGLE PROJECTION	MATERIAL	PROCESS/FINISH
			SIZE DWG NO	B795	
			SHEET	1	