

# PRODUCT INFORMATION PACKET



Model No: B835  
Catalog No: B835

Pool Pump Motor, 2.0 HP, 1 Ph, 60 Hz, 230/115 V, 3600 RPM, Y56C Frame, DP



Regal and Century are trademarks of Regal Rexnord Corporation or one of its affiliated companies.  
©2022 Regal Rexnord Corporation, All Rights Reserved. MC017097E





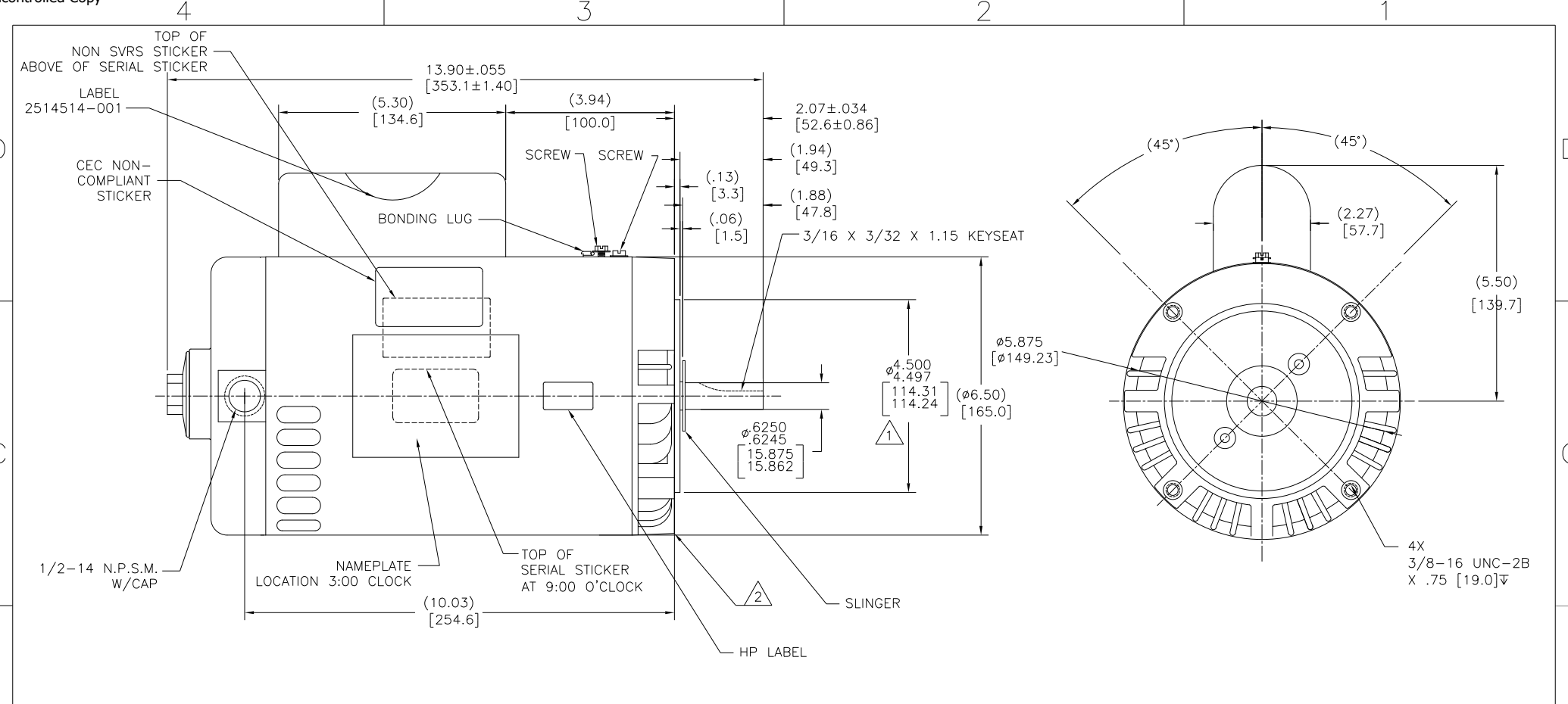
**Nameplate Specifications**

Output HP	2.0 Hp	Output KW	1.5 kW
Frequency	60 Hz	Voltage	230/115 V
Current	SF 10.8/21.6 A	Speed	3450 rpm
Service Factor	1.2	Phase	1
Duty	Continuous	Insulation Class	B
Frame	Y56C	Enclosure	Drip Proof
Thermal Protection	Thermally Protected	Ambient Temperature	50 °C
UL	Recognized	CSA	Y
Number of Speeds	1		

**Technical Specifications**

Electrical Type	Permanent Split Capacitor, Single Or Dual Voltage	Poles	2
Rotation	Counterclockwise Pump End	Mounting	C Face
Motor Orientation	Horizontal	Drive End Bearing	Ball
Opp Drive End Bearing	Ball	Frame Material	Rolled Steel
Shaft Type	5/8 KEYED	Overall Length	13.94 in
Frame Length	8.50 in	Shaft Diameter	0.625 in
Shaft Extension	2.07 in		
Connection Drawing	17536715.PCX	Outline Drawing	B835

This is an uncontrolled document once printed or downloaded and is subject to change without notice. Date Created:11/28/2022



NAMEPLATE DATA	EXTERNAL CONNECTION DIAGRAM	NOTES
MODEL: 164727 CUST PN: B835 HP: 2.0 SF: 1.20 ROT: CCWPE RPM: 3450 TYPE: CX CODE: G FORM: FRAME: Y 56 C VOLTS: 230/115 AMPS: MAX AMPS: SF AMPS: 10.8/21.6 PH: 1 HZ: 60 DUTY: B AMB: 50°C ENCLOSURE: ODP THERMALLY PROTECTED		$\triangle 1$ PILOT DIAMETER IS CONCENTRIC WITH SHAFT CENTERLINE WITHIN .004[.10] T.I.R. $\triangle 2$ FACE OF MOUNTING FLANGE IS PERPENDICULAR TO SHAFT CENTERLINE WITHIN .004[.10] T.I.R. 3. SHAFT RUNOUT NOT TO EXCEED .002[.05] T.I.R. 4. END PLAY NOT TO EXCEED .010 MEASURED WITH NO THRUST 5. ALL DIMENSIONS SHOWN IN PARENTHESIS ARE REFERENCE DIMENSIONS.

PERFORMANCE CURVE	APPROVED SAMPLE
16367411	
UL COMPONENT	CSA
FILE# CCN# FILE# GUIDE#	
E14663 XEWR2 LR4642 4211-01	
CUSTOMER	DISTRIBUTION

DRAWING REVISION: E	REVISION BY: D.SURYAWANSHI	DATE: 01/13/2022	TOLERANCES UNLESS OTHERWISE SPECIFIED	DRAWN BY: AS
ECO: ECR-0214888	APPROVED BY:	DATE:	.X ±0.1 [±2.5]	DATE: 10-21-2010
ECO DESCRIPTION: ADDED LABEL PER ECR-0214888			.XX ±0.02 [±0.51]	APPROVED BY: TZ
			.XXX ±0.005 [±0.127]	DATE: 10-21-2010
			XXXX ±0.0005 [±0.0127]	REFERENCE
<small>                             COPYRIGHT REGAL BELTOI AMERICA, INC. ALL RIGHTS RESERVED.                              PROPRIETARY AND CONFIDENTIAL INFORMATION - THIS DOCUMENT IS THE PROPERTY OF REGAL BELTOI AMERICA, INC. (OWNER) AND COMPANY OWNER'S PROPRIETARY INFORMATION. ANY PERSON, CORPORATION OR OTHER ENTITY, DUPLICATED, AND/OR USED, EXCEPT AS EXPRESSLY APPROVED IN WRITING IN ADVANCE BY OWNER, THIS DOCUMENT SHALL BE RETURNED TO OWNER UPON REQUEST. IT MAY BE SUBJECT TO CERTAIN RESTRICTIONS UNDER APPLICABLE EXPORT CONTROL LAWS AND REGULATIONS.                         </small>			REMOVE BURRS & BREAK SHARP EDGES .003/.015 [0.076/.381] X 45° CORNER FILLETS R.02 [51] MACHINED SURFACES: 12/ INCH/ mm 32 mm SHOWN IN [BRACKETS]	MATERIAL: MODEL-CFHP-56FR OUTLINE PROCESS/FINISH:
THIRD ANGLE PROJECTION		SIZE: C	DWG NO: B835	SHEET: 1