

# PRODUCT INFORMATION PACKET



Model No: B966

Catalog No: B966

Pool Pump Motor, 3.0-.38 HP, 1 Ph, 60 Hz, 230 V, 3600 RPM, R56J Frame, DP



Regal and Century are trademarks of Regal Rexnord Corporation or one of its affiliated companies.

©2022 Regal Rexnord Corporation, All Rights Reserved. MC017097E





### Nameplate Specifications

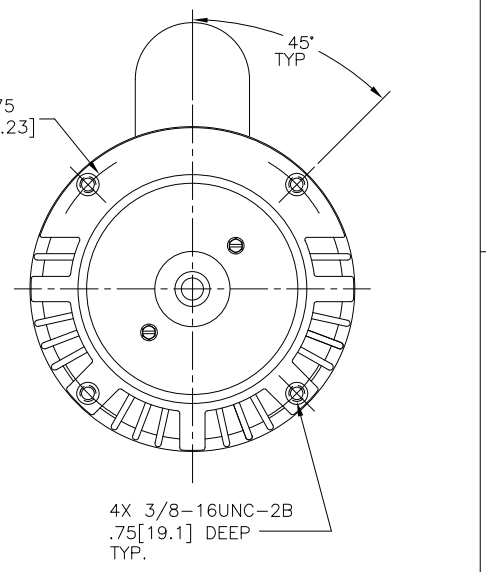
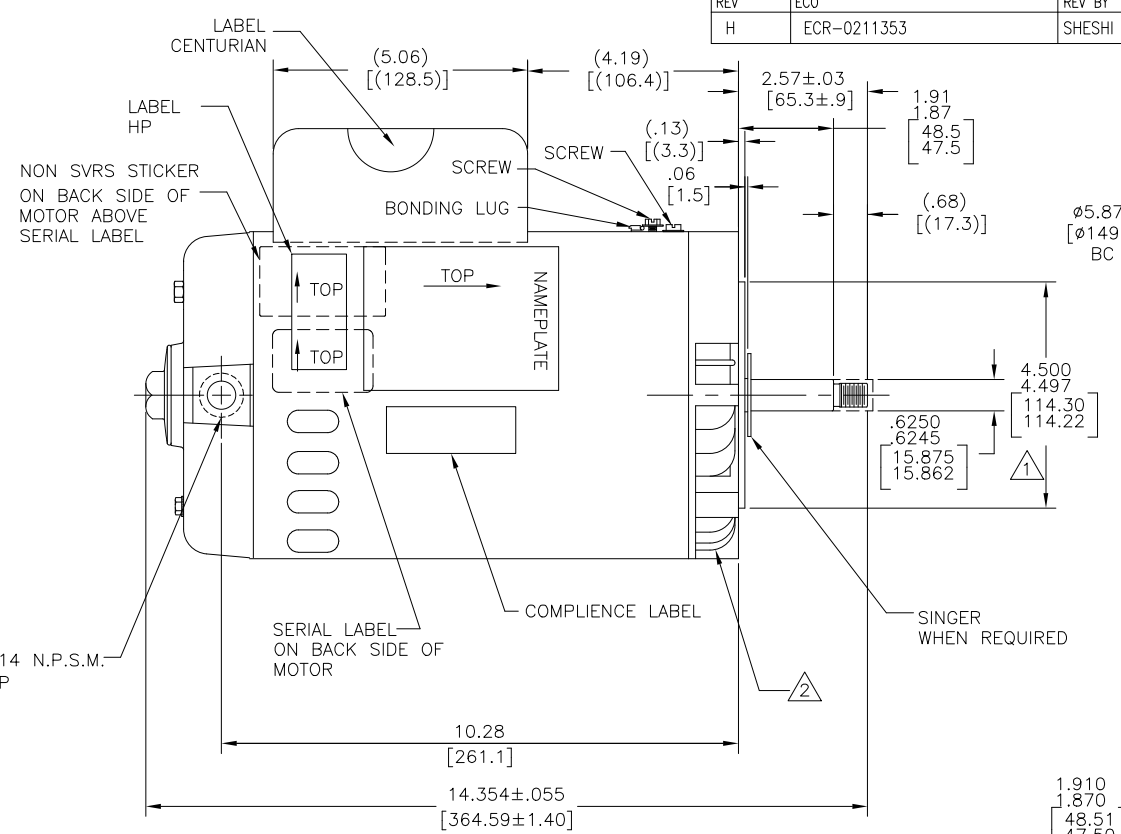
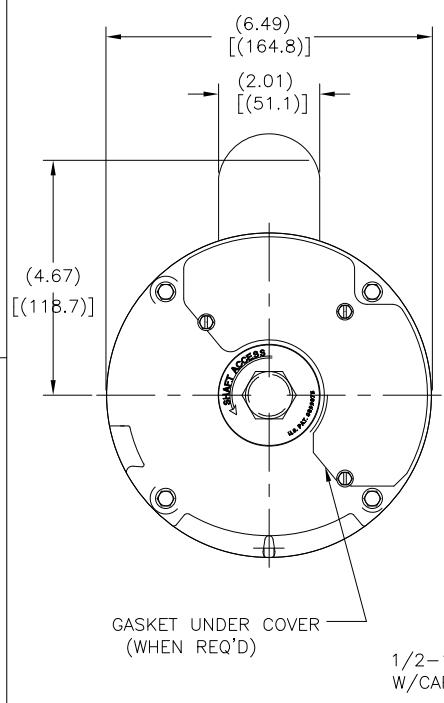
Output HP	3.0-.38 Hp	Output KW	2.2 kW
Frequency	60 Hz	Voltage	230 V
Current	SF 13.8/4.0 A	Speed	3450/1725 rpm
Service Factor	1.15	Phase	1
Duty	Continuous	Insulation Class	B
Frame	R56J	Enclosure	Drip Proof
Thermal Protection	Thermally Protected	Ambient Temperature	40 °C
UL	Recognized	CSA	Y
Number of Speeds	2-2-VT		

### Technical Specifications

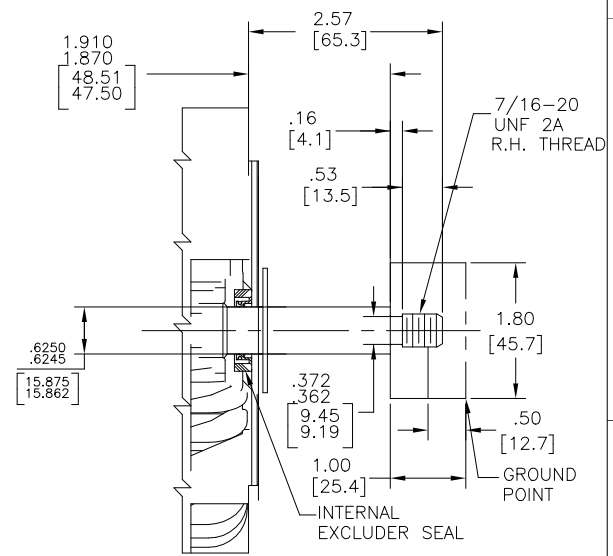
Electrical Type	Permanent Split Capacitor, High Speed; Split Phase, Low Speed	Poles	2/4
Rotation	Counterclockwise Pump End	Mounting	Round
Motor Orientation	Horizontal	Drive End Bearing	Ball
Opp Drive End Bearing	Ball	Frame Material	Rolled Steel
Shaft Type	7/16 Threaded	Overall Length	14.29 in
Frame Length	8.75 in	Shaft Diameter	0.625 in
Shaft Extension	2.57 in		
Connection Drawing	17888703.PCX	Outline Drawing	B966-S01

This is an uncontrolled document once printed or downloaded and is subject to change without notice. Date Created:11/28/2022

REV	ECO	REV BY	DATE	APPD	DATE
H	ECR-0211353	SHESHI	09/30/2021	D.SURYAWANSHI	09/30/2021



56J SHAFT EXT. (JET PUMP)



NAMEPLATE DATA	EXTERNAL CONNECTION DIAGRAM	NOTES
MODEL: 187855 CUST PN: B966 HP: 3.0-.38 SF: 1.15 ROT: CCWPE RPM: 3450/1725 TYPE: CXPM CODE: E FORM: FRAME: R 56 J VOLTS: 230 AMPS: MAX AMPS: SF AMPS: 13.8/4.0 PH: 1 HZ: 60 INS: B AMB: 40°C DUTY: CONT ENCLOSURE: ODP THERMALLY PROTECTED		1. PILOT DIAMETER IS CONCENTRIC WITH SHAFT CENTERLINE WITHIN .004 [.10] T.I.R. 2. FACE OF MOUNTING FLANGE IS PERPENDICULAR TO SHAFT CENTERLINE WITHIN .004 [.10] T.I.R. 3. SHAFT RUNOUT NOT TO EXCEED .002 [.05] T.I.R. 4. FOR THREADED SHAFT EXT. MATING PARTS SHOULD BE RELIEVED ONE THREAD TO CLEAR FILLET 5. FOR THREADED SHAFT EXT. ECCENTRICITY OF THREADED PORTION OF SHAFT IS HELD WITHIN .004 [.10] TOTAL GAGE READING WITH THE INDICATOR ON O.D. OF GROUND RING GAGE AS SHOWN. THE GAGE BEING STATIONARY WITH RESPECT TO THE ROTOR. 6. END PLAY NOT TO EXCEED .010 [.25] MEASURED WITH NO THRUST

PERFORMANCE CURVE	APPROVED SAMPLE	GEOMETRIC CHARACTERISTICS & SYMBOLS	UNLESS OTHERWISE SPECIFIED DIM. TOLERANCES ARE AS FOLLOWS:	DR BY: TOM ZHAO	07-10-2006
19224811		□ FLATNESS — STRAIGHTNESS ∠ ANGULARITY ⊥ PERPENDICULARITY (SQUARENESS) // PARALLELISM ○ ROUNDNESS (CIRCULARITY) ⊙ CYLINDRICITY ∅ PROFILE OF ANY SURFACE ∅ PROFILE OF ANY LINE ? RUNOUT ⊕ TRUE POSITION ⊙ CONCENTRICITY = SYMMETRY	X XX XXX XXXX INCH ±.1 ±.02 ±.005 ±.0005 mm ±0.5 ±0.13 ±0.013 ANG. ±.50 DEG REMOVE BURRS & BREAK SHARP EDGES: INCH .003-.015 mm 0.1-0.4 CORNER FILLETS TO: INCH .020 mm 0.5 MACHINE SURFACES: INCH 125 mm 3.2	APPD: TDT	07-11-2006
UL COMPONENT	CSA	ASME Y14.5M 1994	METRIC DIMS. SHOWN IN [BRACKETS]	THIRD ANGLE PROJECTION	EDS DATE 11-11-2011
FILE#	CCN#	FILE#	GUIDE#	CONFIDENTIAL: THIS DRAWING AND ITS INFORMATION ARE THE EXCLUSIVE AND CONFIDENTIAL PROPERTY OF REGAL-BELOIT CORPORATION AND ARE NOT TO BE DISCLOSED, DUPLICATED, DISTRIBUTED OR OTHERWISE USED WITHOUT THE WRITTEN CONSENT OF REGAL-BELOIT CORPORATION. -ALL RIGHTS RESERVED.	FORMAT REV G
PENDING	PENDING	LR4642	4211-01		
CUSTOMER	DISTRIBUTION				

		DESCRIPTION	OUTLINE
SIZE	C	DWG NO	B966
SCALE	NONE		SHEET 1