

# PRODUCT INFORMATION PACKET



Model No: BG130A

Catalog No: BG130A

Guardian ® Motors Pool Pump Motor, 2.0 HP, 1 Ph, 60 Hz, 230 V, 3600 RPM, X56J Frame, DP



Regal and Century are trademarks of Regal Rexnord Corporation or one of its affiliated companies.  
©2022 Regal Rexnord Corporation, All Rights Reserved. MC017097E





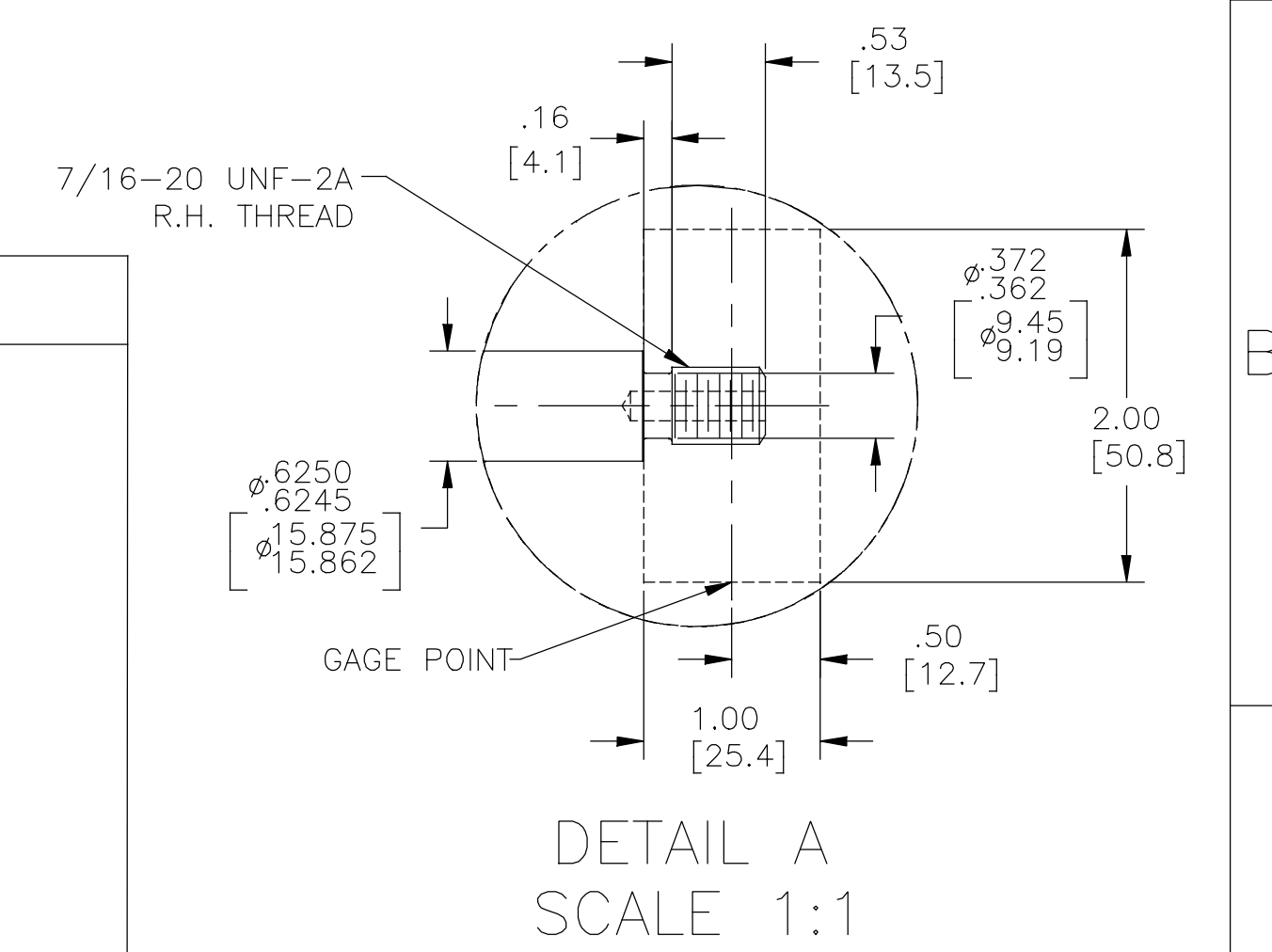
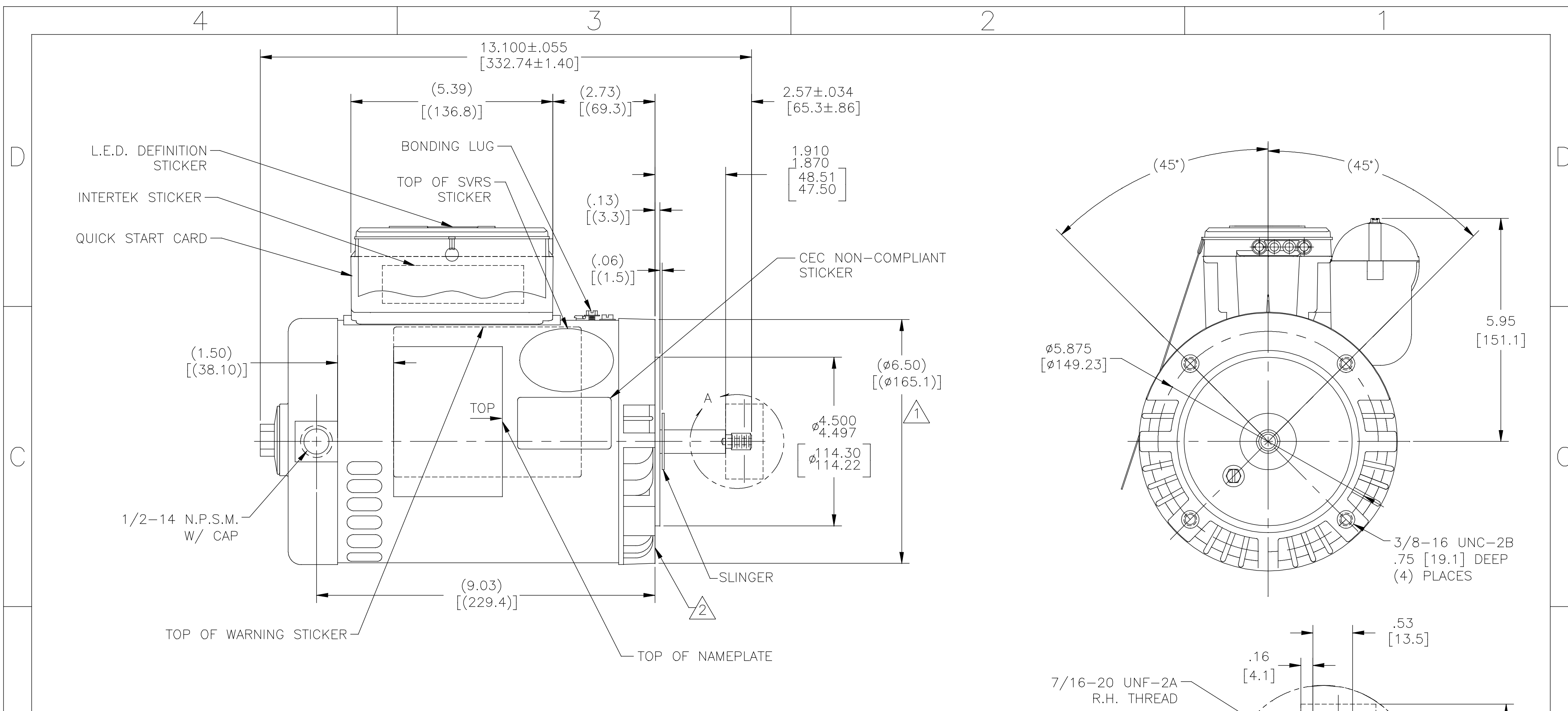
**Nameplate Specifications**

Output HP	2.0 Hp	Output KW	1.5 kW
Frequency	60 Hz	Voltage	230 V
Current	SF 10.5 A	Speed	3450 rpm
Service Factor	1.2	Phase	1
Duty	Continuous	Insulation Class	B
Frame	X56J	Enclosure	Drip Proof
Thermal Protection	Thermally Protected	Ambient Temperature	50 °C
UL	Recognized	CSA	Y
Number of Speeds	1		

**Technical Specifications**

Electrical Type	Permanent Split Capacitor, Single Or Dual Voltage	Poles	2
Rotation	Counterclockwise Pump End	Mounting	Round
Motor Orientation	Horizontal	Drive End Bearing	Ball
Opp Drive End Bearing	Ball	Frame Material	Rolled Steel
Shaft Type	7/16 Threaded	Overall Length	13.10 in
Frame Length	7.50 in	Shaft Diameter	0.625 in
Shaft Extension	2.57 in		
Outline Drawing	BG130A-S01	Connection Drawing	17050319.PCX

This is an uncontrolled document once printed or downloaded and is subject to change without notice. Date Created:11/29/2022



NAMEPLATE DATA	EXTERNAL CONNECTION DIAGRAM	NOTES
MODEL: F56AA38A01 CUST PN: BG130A HP: 2.0 SF: 1.2 ROT: CCWPE RPM: 3450 TYPE: CX CODE: G FORM: KJM FRAME: X56J VOLTS: 230 AMPS: SF AMPS: 10.5 PH: 1 HZ: 60 INS: B AMB: 50°C DUTY: CONT ENCLOSURE: ODP THERMALLY PROTECTED		△ PILOT DIAMETER IS CONCENTRIC WITH SHAFT CENTERLINE WITHIN .004 T.I.R. △ FACE OF MOUNTING FLANGE IS PERPENDICULAR TO SHAFT CENTERLINE WITHIN .004 T.I.R. 3. SHAFT RUNOUT NOT TO EXCEED .002 T.I.R. 4. END PLAY NOT TO EXCEED .010 MEASURED WITH NO THRUST 5. FINISH PAINT TO BE SATIN BLACK

PERFORMANCE CURVE	APPROVED SAMPLE		
15593311			
UL COMPONENT	CSA		
FILE#	CCN#	FILE#	GUIDE#
PENDING	PENDING	PENDING	PENDING
CUSTOMER	DISTRIBUTION SERVICES		

DRAWING REVISION	REVISION BY	DATE	TOLERANCES UNLESS OTHERWISE SPECIFIED	DRAWN BY:	Regal Beloit America, Inc.
E	G. RODRIGUEZ	04-25-2019	DEC. INCH mm ANGLE	JHENRY	
ECO	APPROVED BY	DATE	.XX ±0.1 [±2.5] ±0.5°	DATE:	06-08-2009
ECO-0165900	G. RODRIGUEZ	04-25-2019	.XX ±0.02 [±0.51]	APPROVED BY:	
ECO DESCRIPTION			.XXX ±0.005 [±0.127]	DATE:	
SEE ECO			.XXXX ±0.0005 [±0.0127]	REFERENCE	
COPYRIGHT REGAL BELOIT AMERICA, INC. ALL RIGHTS RESERVED. PROPRIETARY AND CONFIDENTIAL INFORMATION - THIS DOCUMENT IS THE PROPERTY OF REGAL BELOIT AMERICA, INC. (OWNER) AND CONTAINS OWNER'S PROPRIETARY INFORMATION. ANY PERSON, CORPORATION OR OTHER FIRM RECEIVING IT IS DEEMED, BY RECEIVING IT, TO AGREE THAT IT, AND/OR ANY PART OF IT, SHALL NOT BE DISCLOSED TO ANY PERSON, CORPORATION OR OTHER ENTITY, DUPLICATED, AND/OR USED, EXCEPT AS EXPRESSLY APPROVED IN WRITING IN ADVANCE BY OWNER. THIS DOCUMENT SHALL BE RETURNED TO OWNER UPON REQUEST. IT MAY BE SUBJECT TO CERTAIN RESTRICTIONS UNDER APPLICABLE EXPORT CONTROL LAWS AND REGULATIONS.			REMOVE BURRS & BREAK SHARP EDGES .003/.015 [0.076/.381]	MATERIAL	PROCESS/FINISH
			CORNER FILLETS .02 [.51]	THIRD ANGLE PROJECTION	
			MACHINED SURFACES 125/INCH 3.2/mm	SIZE DWG NO	
			mm SHOWN IN [BRACKETS]	C	BG130A
				SHEET	1