

PRODUCT INFORMATION PACKET



Model No: BG748A
Catalog No: BG748A

Guardian® Motors Pool Pump Motor, 2.0 HP, 1 Ph, 60 Hz, 230 V, 3600 RPM, Y56Y Frame, DP



Regal and Century are trademarks of Regal Rexnord Corporation or one of its affiliated companies.
©2022 Regal Rexnord Corporation, All Rights Reserved. MC017097E





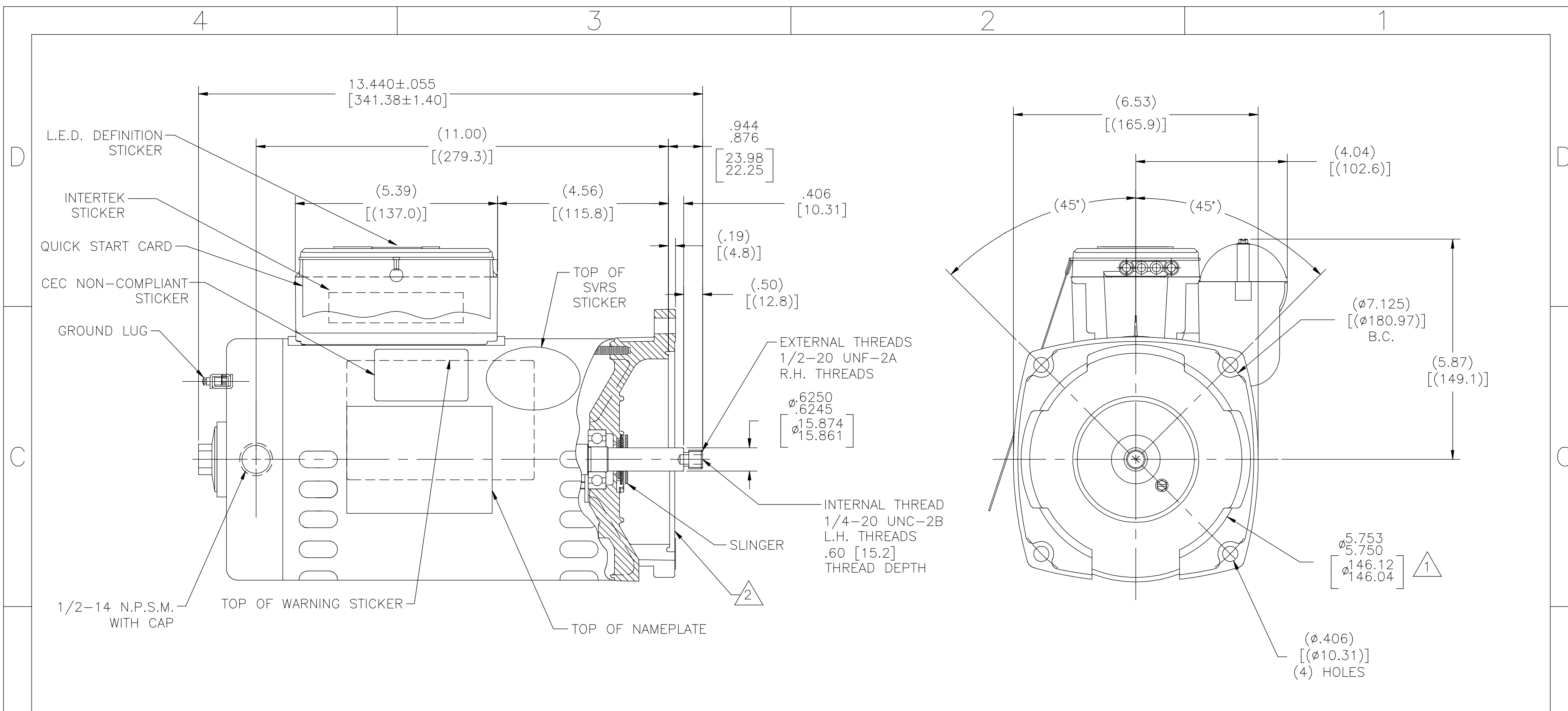
Nameplate Specifications

Output HP	2.0 Hp	Output KW	1.5 kW
Frequency	60 Hz	Voltage	230 V
Current	SF 11.5 A	Speed	3450 rpm
Service Factor	1.3	Phase	1
Duty	Continuous	Insulation Class	B
Frame	Y56Y	Enclosure	Drip Proof
Thermal Protection	Thermally Protected	Ambient Temperature	50 °C
UL	Recognized	CSA	Y
Number of Speeds	1		

Technical Specifications

Electrical Type	Permanent Split Capacitor, Single Or Dual Voltage	Poles	2
Rotation	Counterclockwise Pump End	Mounting	Round
Motor Orientation	Horizontal	Drive End Bearing	Ball
Opp Drive End Bearing	Ball	Frame Material	Rolled Steel
Shaft Type	1/2 Threaded	Overall Length	13.44 in
Frame Length	9.00 in	Shaft Diameter	0.625 in
Shaft Extension	0.944 in		
Outline Drawing	BG748A-S01	Connection Drawing	17050319.PCX

This is an uncontrolled document once printed or downloaded and is subject to change without notice. Date Created:11/28/2022



NAMEPLATE DATA	EXTERNAL CONNECTION DIAGRAM	NOTES
MODEL: F56AA43A01 CUST PN: BG748A HP: 2.0 SF: 1.30 ROT: CCWPE RPM: 3450 TYPE: CX CODE: G FORM: KJM FRAME: Y56Y VOLTS: 230 AMPS: MAX AMPS: SF AMPS: 11.5 PH: 1 HZ: 60 INS: B AMB: 50°C DUTY: CONT ENCLOSURE: ODP THERMALLY PROTECTED		<ol style="list-style-type: none"> PILOT DIAMETER IS CONCENTRIC WITH SHAFT CENTERLINE WITHIN .006 T.I.R. FACE OF MOUNTING FLANGE IS PERPENDICULAR TO SHAFT CENTERLINE WITHIN .004 T.I.R. SHAFT RUNOUT NOT TO EXCEED .002 T.I.R FOR THREADED SHAFT EXT. MATING PARTS SHOULD BE RELIEVED ONE THREAD TO CLEAR FILLET FOR THREADED SHAFT EXT. ECCENTRICITY OF THREADED PORTION OF SHAFT IS HELD WITHIN .004 TOTAL GAGE READING WITH THE INDICATOR ON O.D. OF GROUND RING GAGE AS SHOWN. THE GAGE BEING STATIONARY WITH RESPECT TO THE ROTOR. END PLAY NOT TO EXCEED .010 MEASURED WITH NO THRUST ALL DIMENSIONS SHOWN IN PARENTHESIS ARE REFERENCE DIMENSIONS. FINISH PAINT TO BE SATIN BLACK

PERFORMANCE CURVE	APPROVED SAMPLE		
15593311			
UL COMPONENT	CSA		
FILE#	CCN#	FILE#	GUIDE#
PENDING	PENDING	PENDING	PENDING
CUSTOMER	DISTRIBUTION SERVICES		

DRAWING REVISION E	REVISION BY G. RODRIGUEZ	DATE 04-25-2019	TOLERANCES UNLESS OTHERWISE SPECIFIED DEC. INCH mm ANGLE .XX ±0.1 [±2.5] ±0.5° .XX ±0.02 [±0.51] .XXX ±0.005 [±0.127] .XXXX ±0.0005 [±0.0127]	DRAWN BY: JHENRY	Regal Beloit America, Inc.	
ECO ECO-0165900	APPROVED BY G. RODRIGUEZ	DATE 04-25-2019	REMOVE BURRS & BREAK SHARP EDGES .003/.015 [0.076/.381] CORNER FILLETS .02 [0.51] MACHINED SURFACES 125/INCH 3.2/mm	DATE: 06-11-2009		
ECO DESCRIPTION SEE ECO			COPYRIGHT REGAL BELOIT AMERICA, INC. ALL RIGHTS RESERVED. PROPRIETARY AND CONFIDENTIAL INFORMATION - THIS DOCUMENT IS THE PROPERTY OF REGAL BELOIT AMERICA, INC. (OWNER) AND CONTAINS OWNER'S PROPRIETARY INFORMATION. ANY PERSON, CORPORATION OR OTHER FIRM RECEIVING IT IS DEEMED, BY RECEIVING IT, TO AGREE THAT IT, AND/OR ANY PART OF IT, SHALL NOT BE DISCLOSED TO ANY PERSON, CORPORATION OR OTHER ENTITY, DUPLICATED, AND/OR USED, EXCEPT AS EXPRESSLY APPROVED IN WRITING IN ADVANCE BY OWNER. THIS DOCUMENT SHALL BE RETURNED TO OWNER UPON REQUEST. IT MAY BE SUBJECT TO CERTAIN RESTRICTIONS UNDER APPLICABLE EXPORT CONTROL LAWS AND REGULATIONS.	APPROVED BY:	DESCRIPTION MODEL-PFHP-56FR OUTLINE	
REFERENCE		MATERIAL	PROCESS/FINISH	THIRD ANGLE PROJECTION	SIZE DWG NO C BG748A	SHEET 1