

PRODUCT INFORMATION PACKET



Model No: BG854A
Catalog No: BG854A
1.5 HP Pool Pump Motor, 1 phase, 3600 RPM, 230/115 V, 56Y Frame, ODP
Pool Pump Motors



Regal and Century are trademarks of Regal Rexnord Corporation or one of its affiliated companies.
©2021 Regal Rexnord Corporation, All Rights Reserved. MC017097E





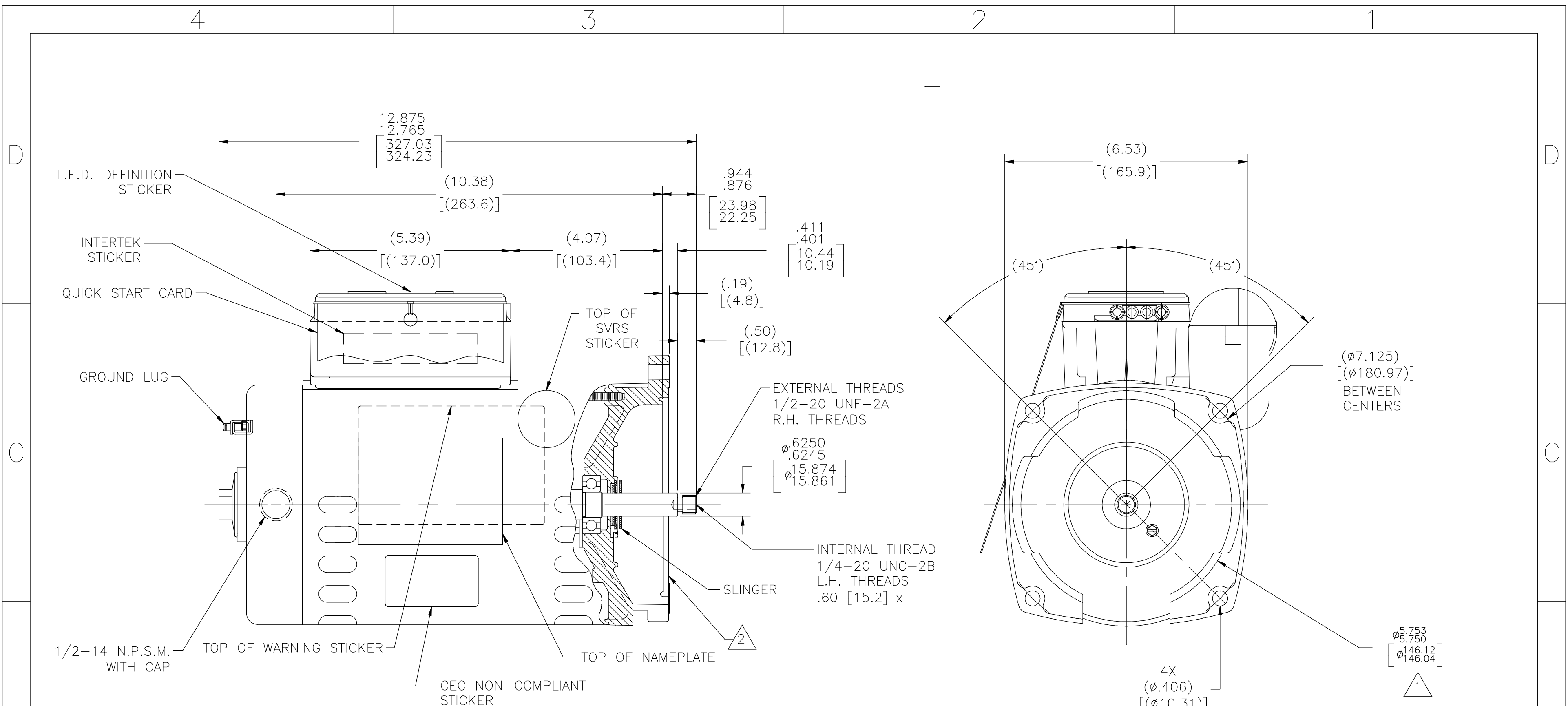
Nameplate Specifications

Output HP	1.5 Hp	Output KW	1.1 kW
Frequency	60 Hz	Voltage	230/115 V
Current	SF 8.0/16.0 A	Speed	3450 rpm
Service Factor	1.1	Phase	1
Duty	Continuous	Insulation Class	B
Frame	Y56Y	Enclosure	Drip Proof
Thermal Protection	Thermally Protected	Ambient Temperature	50 °C
UL	Recognized	CSA	Y
Number of Speeds	1		

Technical Specifications

Electrical Type	Permanent Split Capacitor, Single Or Dual Voltage	Poles	2
Rotation	Counterclockwise Pump End	Mounting	Round
Motor Orientation	Horizontal	Drive End Bearing	Ball
Opp Drive End Bearing	Ball	Frame Material	Rolled Steel
Shaft Type	1/2 Threaded	Overall Length	12.82 in
Frame Length	8.38 in	Shaft Diameter	0.625 in
Shaft Extension	0.944 in		
Connection Drawing	17536715.PCX	Outline Drawing	BG854A-S01

This is an uncontrolled document once printed or downloaded and is subject to change without notice. Date Created:10/07/2021



NAMEPLATE DATA	EXTERNAL CONNECTION DIAGRAM	NOTES
MODEL: F56AA33A01 CUST PN: BG854A HP: 1.5 SF: 1.10 ROT: CCWPE RPM: 3450 TYPE: CX CODE: F FORM: FRAME: Y 56 Y VOLTS: 230/115 AMPS: MAX AMPS: SF AMPS: 8.0/16.0 PH: 1 HZ: 60 INS: B AMB: 50°C DUTY: CONT ENCLOSURE: ODP THERMALLY PROTECTED		<ol style="list-style-type: none"> 1. PILOT DIAMETER IS CONCENTRIC WITH SHAFT CENTERLINE WITHIN .006[.15] T.I.R. 2. FACE OF MOUNTING FLANGE IS PERPENDICULAR TO SHAFT CENTERLINE WITHIN .004[.10] T.I.R. 3. SHAFT RUNOUT NOT TO EXCEED .002[.05] T.I.R 4. FOR THREADED SHAFT EXT. MATING PARTS SHOULD BE RELIEVED ONE THREAD TO CLEAR FILLET 5. FOR THREADED SHAFT EXT. ECCENTRICITY OF THREADED PORTION OF SHAFT IS HELD WITHIN .004[.10] TOTAL GAGE READING WITH THE INDICATOR ON O.D. OF GROUND RING GAGE AS SHOWN. THE GAGE BEING STATIONARY WITH RESPECT TO THE ROTOR. 6. ENDPLAY NOT TO EXCEED .010[.25] MEASURED WITH NO THRUST 7. ALL DIMENSIONS SHOWN IN PARENTHESIS ARE REFERENCE DIMENSIONS. 8. FINISH PAINT TO BE SATIN BLACK

PERFORMANCE CURVE	APPROVED SAMPLE
16381811	
UL COMPONENT	CSA
FILE#	GUIDE#
PENDING	PENDING
CUSTOMER	DIST. SERVICES

DRAWING REVISION	REVISION BY	DATE	TOLERANCES UNLESS OTHERWISE SPECIFIED	DRAWN BY:	Regal Beloit America, Inc.
F	G. RODRIGUEZ	04-25-2019	DEC. INCH mm ANGLE	KHR	
ECO	APPROVED BY	DATE	X ±0.1 [±2.5] ±0.5°	DATE:	DESCRIPTION
ECO-0165900	G. RODRIGUEZ	04-25-2019	.XX ±0.02 [±0.51]	APPROVED BY:	MODEL-PFHP-56FR
ECO DESCRIPTION			.XXX ±0.005 [±0.127]	DATE:	OUTLINE
SEE ECO			.XXXX ±0.0005 [±0.0127]	REFERENCE	PROCESS/FINISH
<small>COPYRIGHT REGAL BELOIT AMERICA, INC. ALL RIGHTS RESERVED. PROPRIETARY AND CONFIDENTIAL INFORMATION - THIS DOCUMENT IS THE PROPERTY OF REGAL BELOIT AMERICA, INC. ("OWNER") AND CONTAINS OWNER'S PROPRIETARY INFORMATION. ANY PERSON, CORPORATION OR OTHER FIRM RECEIVING IT IS DEEMED, BY RECEIVING IT, TO AGREE THAT IT, AND/OR ANY PART OF IT, SHALL NOT BE DISCLOSED TO ANY PERSON, CORPORATION OR OTHER ENTITY, DUPLICATED, AND/OR USED, EXCEPT AS EXPRESSLY APPROVED IN WRITING IN ADVANCE BY OWNER. THIS DOCUMENT SHALL BE RETURNED TO OWNER UPON REQUEST. IT MAY BE SUBJECT TO CERTAIN RESTRICTIONS UNDER APPLICABLE EXPORT CONTROL LAWS AND REGULATIONS.</small>			REMOVE BURRS & BREAK SHARP EDGES .003/.015 [0.076/.381] CORNER FILLETS .02 [0.51] MACHINED SURFACES $\sqrt{125}$ INCH \sqrt{mm} 3/2 mm SHOWN IN [BRACKETS]	THIRD ANGLE PROJECTION	SIZE DWG NO. C BG854A SHEET 1