

# PRODUCT INFORMATION PACKET



Model No: BL6410

Catalog No: BL6410

Fan and Blower Motor, 1/8 HP, 1 Ph, 60 Hz, 115 V, 1050 RPM, 1 Speed, 42 Frame, OAO



Regal and Century are trademarks of Regal Rexnord Corporation or one of its affiliated companies.  
©2022 Regal Rexnord Corporation, All Rights Reserved. MC017097E





**Nameplate Specifications**

|                    |            |                     |               |
|--------------------|------------|---------------------|---------------|
| Output HP          | 1/8 Hp     | Output KW           | 0.10 kW       |
| Frequency          | 60 Hz      | Voltage             | 115 V         |
| Current            | 5.2 A      | Speed               | 1050 rpm      |
| Service Factor     | 1          | Phase               | 1             |
| Duty               | Air Over   | Insulation Class    | A             |
| Frame              | 42Y        | Enclosure           | Open Air Over |
| Thermal Protection | Automatic  | Ambient Temperature | 40 °C         |
| UL                 | Recognized | CSA                 | N             |
| CE                 | N          | Number of Speeds    | 1             |

**Technical Specifications**

|                    |                 |                       |                           |
|--------------------|-----------------|-----------------------|---------------------------|
| Electrical Type    | Shaded Pole     | Starting Method       | Across The Line           |
| Poles              | 6               | Rotation              | Counterclockwise Lead End |
| Mounting           | Resilient Rings | Motor Orientation     | Horizontal                |
| Drive End Bearing  | Sleeve          | Opp Drive End Bearing | Sleeve                    |
| Frame Material     | Rolled Steel    | Shaft Type            | Flat                      |
| Overall Length     | 8.88 in         | Shaft Diameter        | 0.500 in                  |
| Shaft Extension    | 5.5 in          |                       |                           |
| Connection Drawing | 261B865F01      | Outline Drawing       | 11674-021-S01             |

This is an uncontrolled document once printed or downloaded and is subject to change without notice. Date Created:11/28/2022

4

3

2

1

| REV | ECO     | REV BY    | DATE       | APPD     | DATE       |
|-----|---------|-----------|------------|----------|------------|
| D   | 0026376 | F.NAVARRO | 05-28-2012 | R.RASCON | 05-28-2012 |

GENERAL INFORMATION:

SHAFT RUNOUT: .001 [.03] T.I.R. PER INCH LENGTH OF EXTENSION

END PLAY: .010 TO .063 [.25 TO 1.60]

BEARINGS: SLEEVE

MOUNTING POSITION: HORIZONTAL

ELECTRICAL DATA:

OVERLOAD PROTECTOR: AUTOMATIC RESET (T.I. 7AM 034)

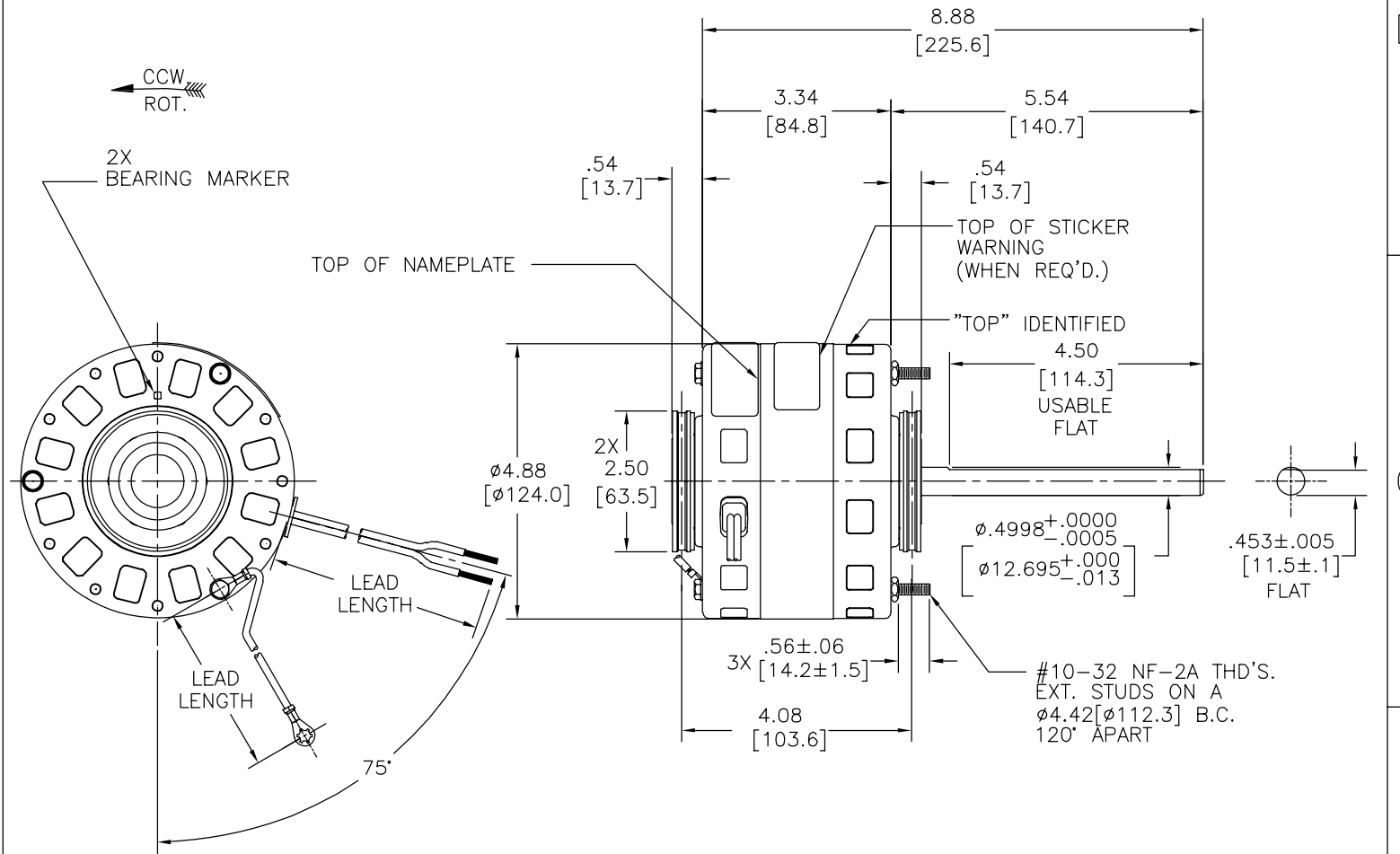
LEADS: NO. 18 GA., .06 [1.5] THK. 125°C INSUL. 2 CONDUCTOR BLACK RIPCORD

GROUND LEAD: NO. 18 GA., .03 [.8] THK., GREEN INSUL.

NOTE:  
DISTRIBUTION: CUST. P/N: BL6410  
GRAINGER: CUST. P/N: 4KA21

SEE NOTE

| NAMEPLATE DATA:   | EXTERNAL CONNECTION DIAGRAM |
|---|-----------------------------|
| MODEL NO.: 322P239<br>CUST. P/N: [ ]<br>HP: 1/8<br>ROT.: CCWLE<br>RPM: 1050<br>TYPE: FE<br>FRAME: 42Y<br>VOLTS: 115<br>PH: 1<br>AMPS: 5.2<br>HZ: 60<br>INS.: A<br>AMB.: 40°C<br>DUTY: AIR OVER<br>CAP.: —<br>UL LOGO<br>THERMALLY PROTECTED<br>TYPE C |                             |



|                 |                     |                          |
|-----------------|---------------------|--------------------------|
| GREEN(GRD)      | 9.5/10.5 [241/267]  | #10 EYELET               |
| 2 COND. RIPCORD | 35.0/38.0 [889/965] | .60 [15.2] SKIN          |
|                 | 35.0/38.0 [889/965] | .60 [15.2] SKIN          |
| COLOR           | LENGTH              | TERMINAL OR STRIP LENGTH |

|                  |      |
|------------------|------|
| MAIN FRAME - OLE | OPEN |
| END FRAME - OLE  | OPEN |
| MAIN FRAME - LE  | OPEN |
| END FRAME - LE   | OPEN |

|          |                      |
|----------|----------------------|
| CUSTOMER | DISTRIBUTION SERVICE |
|----------|----------------------|

| PERFORMANCE CURVE NO. | TORQUE @ 1625 RPM (25°C) | APPROVED SAMPLE | UL COMPONENT FILE # | GUIDE# | CSA FILE # | GUIDE#  |
|-----------------------|--------------------------|-----------------|---------------------|--------|------------|---------|
| C30951                | 10.0 OZ. FT.             | —               | E46412              | PRGY2  | LR43341    | 260-0-0 |

GEOMETRIC CHARACTERISTICS & SYMBOLS

- ▭ FLATNESS
- STRAIGHTNESS
- ∠ ANGULARITY
- ⊥ PERPENDICULARITY (SQUARENESS)
- ∥ PARALLELISM
- ROUNDNESS (CIRCULARITY)
- ⊘ CYLINDRICITY
- △ PROFILE OF ANY SURFACE
- ∩ PROFILE OF ANY LINE
- ↑ RUNOUT
- ⊕ TRUE POSITION
- ◎ CONCENTRICITY
- ≡ SYMMETRY

ASME Y14.5M 1994

REGAL-BELOIT CORPORATION (RBC) PROVIDES TECHNICAL ASSISTANCE TO OUR CUSTOMERS IN SEVERAL AREAS. SINCE RBC DOES NOT RECEIVE ALL DATA CONCERNING THE USE AND APPLICATION OF THE MOTOR, THE SUITABILITY OF THE MOTOR FOR THE APPLICATION MUST BE DETERMINED BY THE CUSTOMER.

DIMENSIONS WITHOUT TOLERANCES ARE FOR REFERENCE ONLY.

DR BY: J. RUPERT 04-11-2000

APPD: E. ROET 04-12-2000

THIRD ANGLE PROJECTION

EDS DATE 11-11-2011  
FORMAT REV H

CONFIDENTIAL: THIS DRAWING AND ITS INFORMATION ARE THE EXCLUSIVE AND CONFIDENTIAL PROPERTY OF REGAL-BELOIT CORPORATION AND ARE NOT TO BE DISCLOSED, DUPLICATED, DISTRIBUTED OR OTHERWISE USED WITHOUT THE WRITTEN CONSENT OF REGAL-BELOIT CORPORATION. -ALL RIGHTS RESERVED.

**REGAL REGAL-BELOIT CORPORATION**

DESCRIPTION: MODEL-RFHP-48FR OUTLINE

SIZE C DWG NO 11674-021

SCALE NONE SHEET 1

4

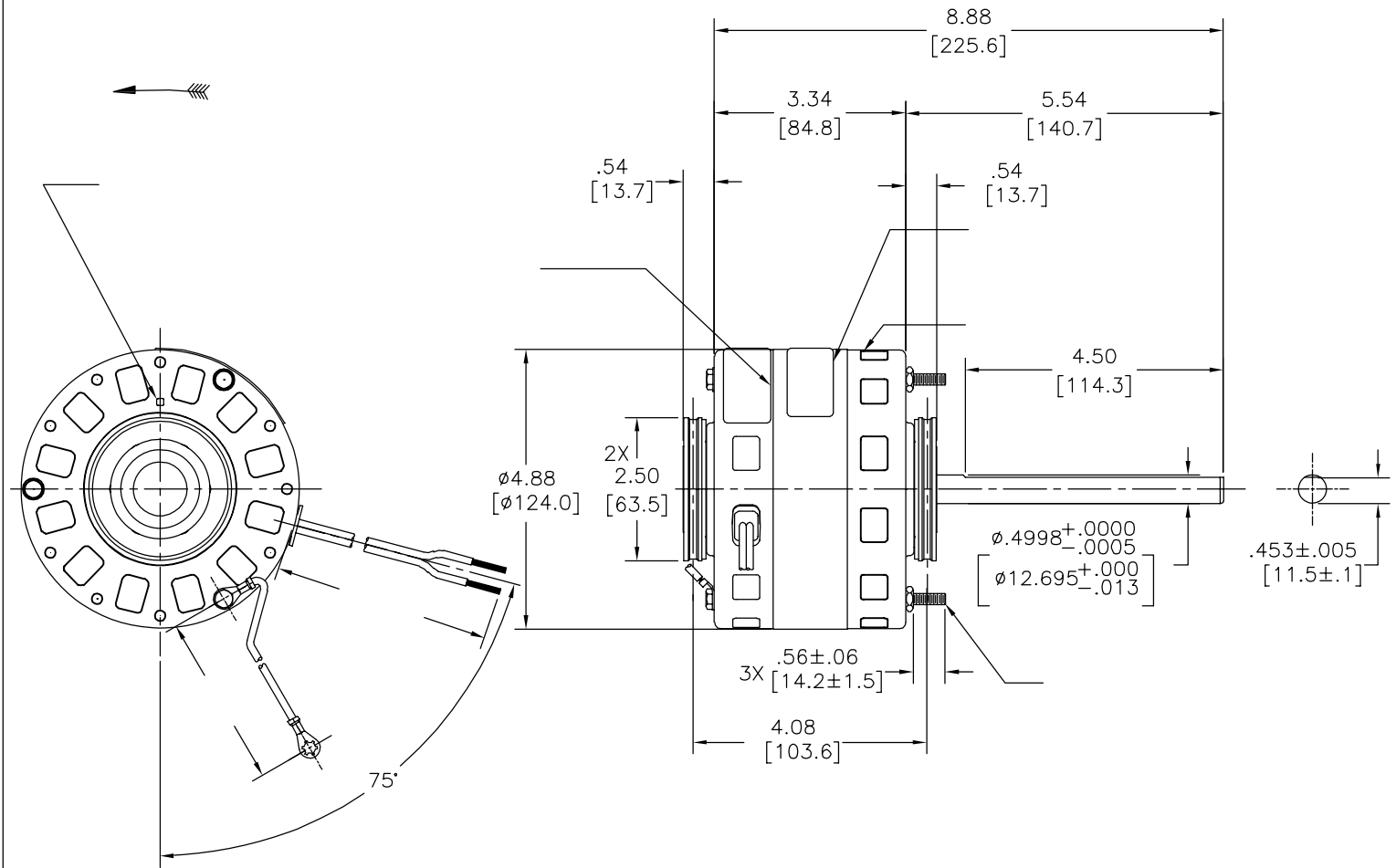
3

2

1



|    |         |           |            |          |            |
|----|---------|-----------|------------|----------|------------|
| 版本 | ECO     | 编制        | 日期         | 批准       | 日期         |
| D  | 0026376 | F.NAVARRO | 05-28-2012 | R.RASCON | 05-28-2012 |



MODEL NO.: 322P239  
 CUST. P/N: [ ]  
 HP: 1/8  
 ROT.: CCWLE  
 RPM: 1050  
 TYPE: FE  
 FRAME: 42Y  
 VOLTS: 115  
 PH: 1  
 AMPS: 5.2  
 HZ: 60  
 INS.: A  
 AMB.: 40°C  
 DUTY: AIR OVER  
 CAP.: —  
 UL LOGO  
 THERMALLY PROTECTED  
 TYPE C



|  |           |  |
|--|-----------|--|
|  | 9.5/10.5  |  |
|  | [241/267] |  |
|  | 35.0/38.0 |  |
|  | [889/965] |  |
|  | 35.0/38.0 |  |
|  | [889/965] |  |

|        |              |   |        |       |         |         |
|--------|--------------|---|--------|-------|---------|---------|
| C30951 | 10.0 OZ. FT. | — | E46412 | PRGY2 | LR43341 | 260-φ-0 |
|--------|--------------|---|--------|-------|---------|---------|

- 形位公差
- 平面度
- 直线度
- ∠ 倾斜度
- ⊥ 垂直度
- ∥ 平行度
- 圆度
- ⊘ 圆柱度
- ⌒ 面轮廓度
- ⌒ 线轮廓度
- ↗ 圆跳动
- ⊕ 位置度
- ⊙ 同轴度
- ≡ 对称度

ASME Y14.5M 1994

**REGAL-BELOIT CORPORATION**  
 (RBC) 在个别领域为客户  
 提供技术支持。鉴于RBC  
 未收到任何涉及电机使用和  
 应用环境的数据，电机的适用性  
 由客户自己决定。

未注公差尺寸仅供参考。

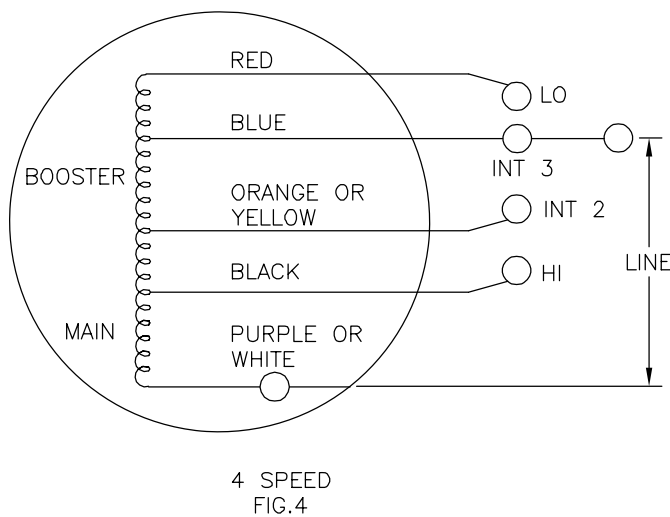
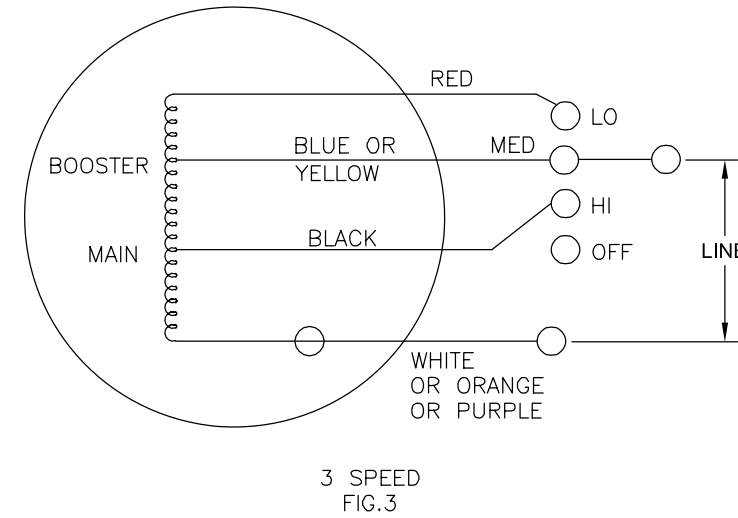
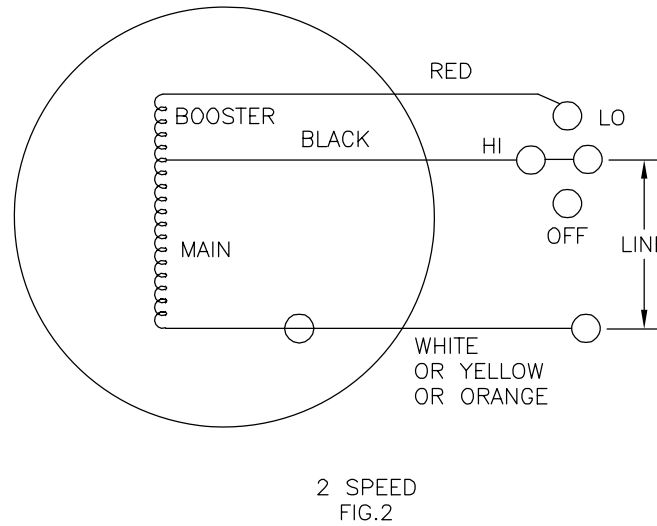
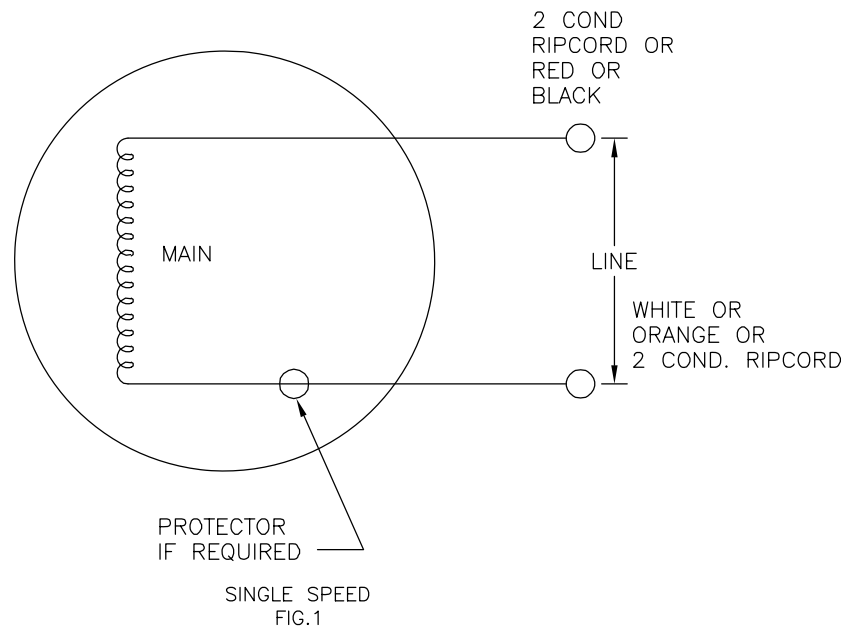
绘图: J. RUPERT 04-11-2000  
 批准: E. ROET 04-12-2000  
 第三角投影  
 机密: 本图纸及相关信息所有权归REGAL-BELOIT CORPORATION。  
 未经REGAL-BELOIT CORPORATION书面授权，不得泄露、  
 复制、传播或作其他用途。—版权所有



名称: MODEL-RFHP-48FR  
 OUTLINE  
 图幅: C 图号: 11674-021  
 比例: NONE 页号: 1

|     |             |        |            |        |            |
|-----|-------------|--------|------------|--------|------------|
| REV | ECO         | REV BY | DATE       | APPD   | DATE       |
| T   | ECO-0018824 | J.HESS | 04-15-2011 | J.HESS | 04-15-2011 |

FOR SINGLE SPEED ONLY  
COLOR OF LEADS TO BE OPTIONAL



QUALITY CONTROL NOTE:  
TO CHECK THE WINDINGS FOR OPENS VERIFY THE CONTINUITY AS OUTLINED BELOW.  
FIG.1 BETWEEN WHITE AND BLACK OR WHITE & RED LEADS  
FIG.2, 3 & 4, BETWEEN THE WHITE & RED LEADS.

GEOMETRIC CHARACTERISTICS & SYMBOLS

- ▭ FLATNESS
- STRAIGHTNESS
- ∠ ANGULARITY
- ⊥ PERPENDICULARITY (SQUARENESS)
- // PARALLELISM
- ROUNDNESS (CIRCULARITY)
- ⊘ CYLINDRICITY
- △ PROFILE OF ANY SURFACE
- ∩ PROFILE OF ANY LINE
- ↗ RUNOUT
- ⊕ TRUE POSITION
- ◎ CONCENTRICITY
- ≡ SYMMETRY

UNLESS OTHERWISE SPECIFIED DIM. TOLERANCES ARE AS FOLLOWS:

|      |      |       |        |        |
|------|------|-------|--------|--------|
| INCH | ±.1  | ±.02  | ±.005  | ±.0005 |
| mm   | ±0.5 | ±0.13 | ±0.013 |        |

ANG. ±.50 DEG  
REMOVE BURRS & BREAK SHARP EDGES:  
INCH .003-.015 mm 0.1-0.4  
CORNER FILLETS TO:  
INCH .020 mm 0.5  
MACHINE SURFACES:  
INCH 125 mm 3.2  
METRIC DIMS. SHOWN IN [BRACKETS]

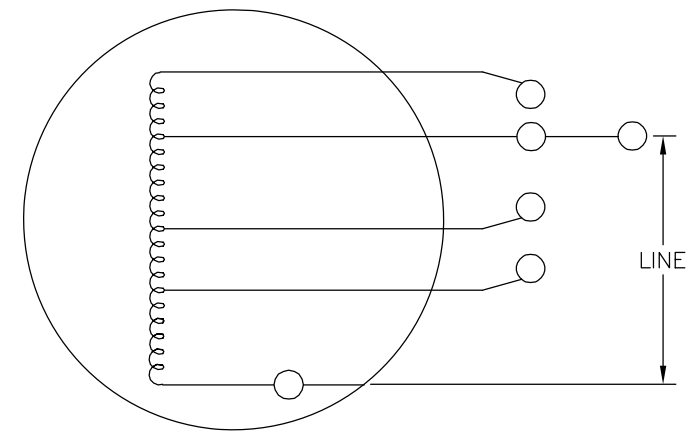
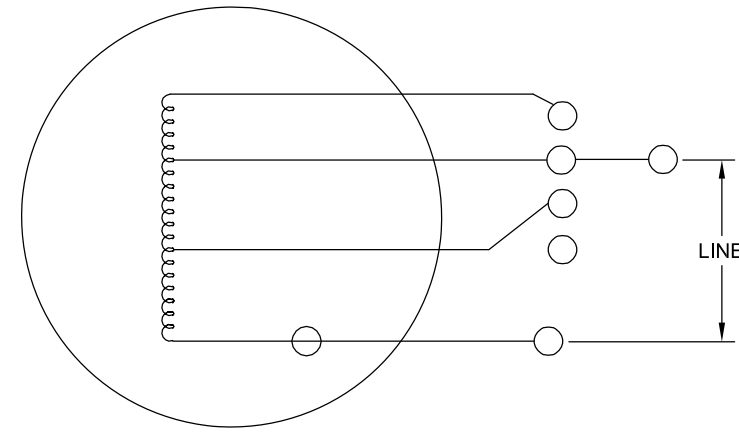
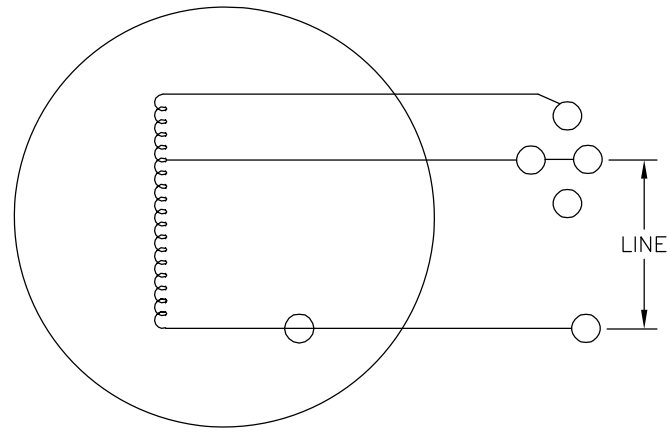
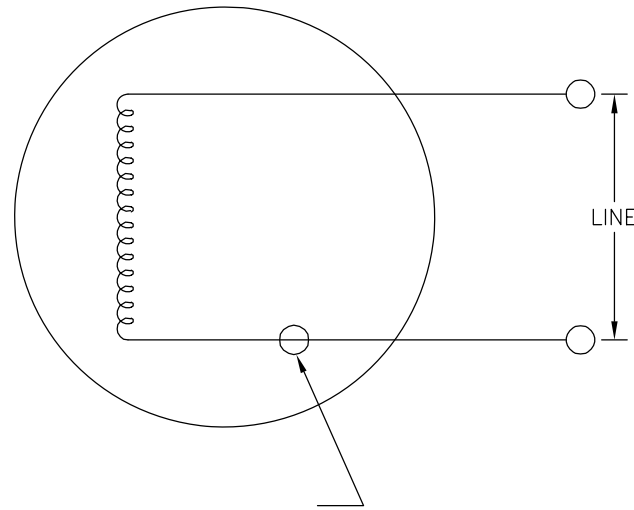
|   |       |                                     |
|---|-------|-------------------------------------|
| DR BY:  | KLINE | 10-24-1966                          |
| APPD:   | RDS   | 10-27-1966                          |
| THIRD ANGLE PROJECTION  |       | EDS DATE 02-22-2008<br>FORMAT REV F |
| CONFIDENTIAL: THIS DRAWING AND ITS INFORMATION ARE THE EXCLUSIVE AND CONFIDENTIAL PROPERTY OF A.O. SMITH CORP. AND ARE NOT TO BE DISCLOSED, DUPLICATED, DISTRIBUTED OR OTHERWISE USED WITHOUT THE WRITTEN CONSENT OF A.O. SMITH CORP.<br>-ALL RIGHTS RESERVED. ASME Y14.5M 1994 |       |                                     |



**ELECTRICAL PRODUCTS COMPANY**  
A DIVISION OF A. O. SMITH CORPORATION

|                       |            |
|-----------------------|------------|
| DESCRIPTION           |            |
| CONN DIAGRAM-EXTERNAL |            |
| SIZE                  | DWG NO     |
| C                     | 261B865F01 |
| SCALE                 | SHEET      |
| NONE                  | 1          |

|           |             |               |            |               |            |
|-----------|-------------|---------------|------------|---------------|------------|
| REVISION: | ECO         | REVISADO POR: | FECHA:     | APROBADO POR: | FECHA:     |
| T         | ECO-0018824 | J.HESS        | 04-15-2011 | J.HESS        | 04-15-2011 |



CARACTERISTICAS DE GEOMETRIA Y SIMBOLOS

- ▭ PLANICIDAD
- RECTITUD
- ∠ ANGULARIDAD
- ⊥ PERPENDICULARIDAD (A ESCUADRA)
- // PARALELISMO
- REDONDEZ (CIRCULARIDAD)
- ∅ CILINDRICIDAD
- △ PERFIL DE CUALQUIER SUPERFICIE
- ∩ PERFIL DE CUALQUIER LINEA
- ↑ VARIACION
- ⊕ POSICION REAL
- ◎ CONCENTRICIDAD
- = SIMETRIA

A MENOS QUE SE ESPECIFIQUE DE OTRA MANERA, LAS TOLERANCIAS DE LAS DIMS; SON LAS SIGUIENTES:

|      |      |       |        |        |
|------|------|-------|--------|--------|
| PULG | ±.1  | ±.02  | ±.005  | ±.0005 |
| mm   | ±0.5 | ±0.13 | ±0.013 |        |

ANG. ± 50 GRADOS  
ELIMINAR REBABAS Y ORILLAS FILOSAS DEL BORDE.

|      |           |    |         |
|------|-----------|----|---------|
| PULG | .003-.015 | mm | 0.1-0.4 |
|------|-----------|----|---------|

FILETEAR ESQUINA: PULG .020 mm 0.5  
MAQUINAR SUPERFICIES  
PULG 125 mm .32

DIMS METRICAS MOSTRADAS [PARENTESIS]

|  |       |  |
|--|-------|--|
| DIBUJADO POR:  | KLINE | 10-24-1966                               |
| APROBADO POR:  | RDS   | 10-27-1966                               |
| TERCER ANGULO DE PROYECCION  | ⊕     | FECHA EDS: 02-22-2008<br>REV. FORMATO: F |
| CONFIDENCIAL: ESTE DIBUJO Y SU INFORMACION SON PROPIEDAD DE USO EXCLUSIVO Y CONFIDENCIAL DE A.O.SMITH CORP. Y NO DEBERAN SER REVELADOS, DUPLICADOS, DISTRIBUIDOS O USARSE DE OTRA MANERA SIN EL CONSENTIMIENTO ESCRITO DE A.O. SMITH CORP. -TODOS LOS DERECHOS RESERVADOS.ASME Y14.5M 1994 |       |  |

|   |                                 |  |         |
|---|---------------------------------|--|---------|
| <b>ACSmith</b><br><small>Innovation has a name.</small> |                                 | <b>ELECTRICAL PRODUCTS COMPANY</b><br><small>A DIVISION OF A. O. SMITH CORPORATION</small> |         |
| DESCRIPCION:<br>CONN DIAGRAM-EXTERNAL                   |                                 |  |         |
| TAMAÑO: C   | NUMERO DE DIBUJO:<br>261B865F01 |  |         |
| ESCALA:NONE   |                                 |  | HOJA: 1 |

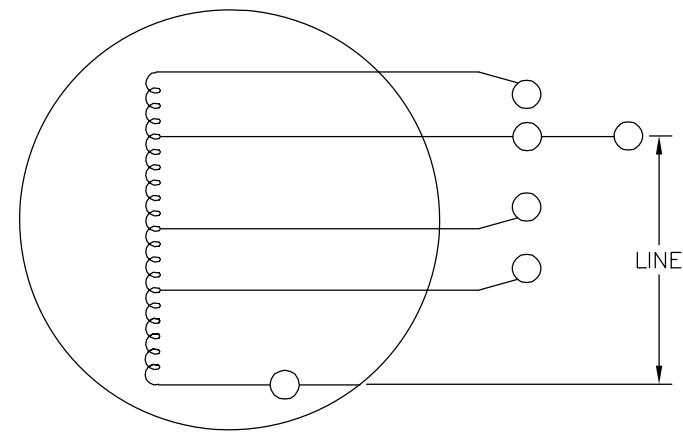
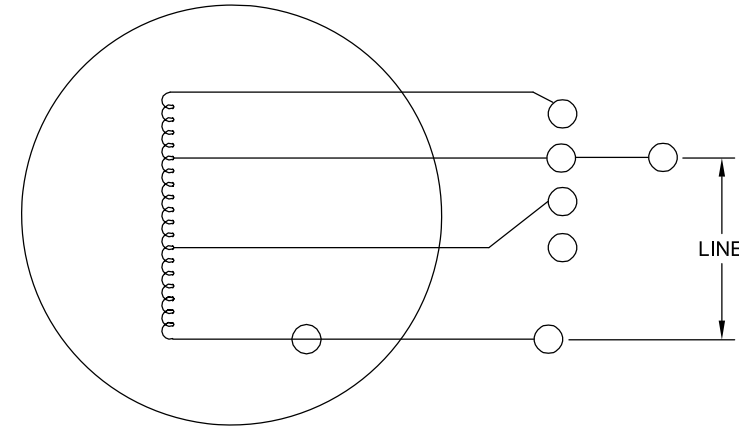
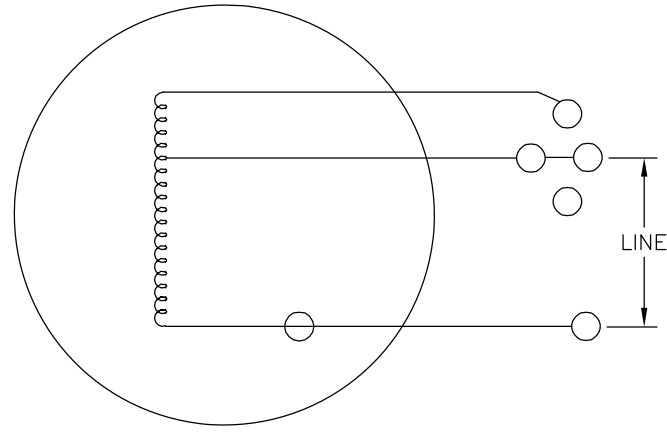
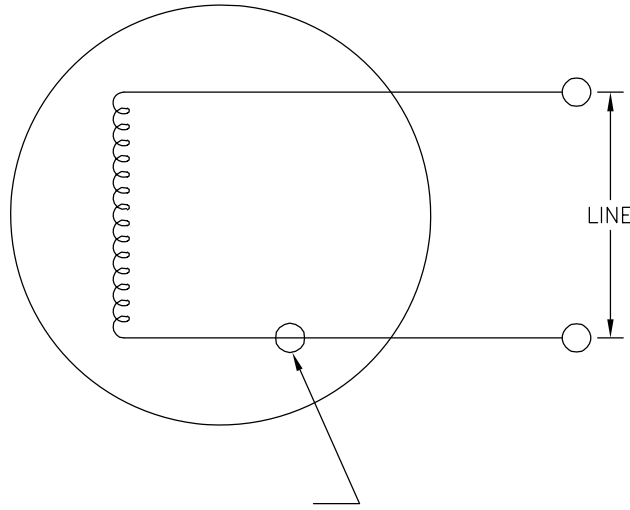
4

3

2

1

|    |             |        |            |        |            |
|----|-------------|--------|------------|--------|------------|
| 版本 | ECO         | 编制     | 日期         | 批准     | 日期         |
| T  | ECO-0018824 | J.HESS | 04-15-2011 | J.HESS | 04-15-2011 |



|        |
|--------|
| 形位公差   |
| □ 平面度  |
| — 直线度  |
| ∠ 倾斜度  |
| ⊥ 垂直度  |
| // 平行度 |
| ○ 圆度   |
| ⊘ 圆柱度  |
| ∩ 内圆角  |
| △ 面轮廓度 |
| ∩ 线轮廓度 |
| ↗ 圆跳动  |
| ⊕ 位置度  |
| ⊙ 同轴度  |
| ≡ 对称度  |

|                              |
|------------------------------|
| 除另有注明<br>尺寸公差如下:             |
| 英寸 X XX XXX XXXX             |
| 毫米 ±0.1 ±0.02 ±0.005 ±0.0005 |
| 毫米 ±0.5 ±0.13 ±0.013         |
| 角度 ±.50 度                    |
| 清理毛刺和尖棱                      |
| 英寸 .003-.015 毫米 0.1-0.4      |
| 内圆角                          |
| 英寸 .020 毫米 0.5               |
| 表面粗糙度                        |
| 英制 125 米制 3.2                |
| 米制尺寸显示在 [ ]                  |

|   |       |                                 |
|---|-------|---------------------------------|
| 绘图:   | KLINE | 10-24-1966                      |
| 批准:   | RDS   | 10-27-1966                      |
| 第三角投影   |       | 图纸格式发布日期 02-22-2008<br>图纸格式版本 F |
| 机密: 本图纸及相关信息所有权归A. O. SMITH公司所有。<br>未经A. O. SMITH公司书面授权, 不得泄露、复制、传播或作<br>其他用途。—版权所有 |       |                                 |
| ASME Y14.5M 1994  |       |                                 |

|  |                  |   |            |
|--|------------------|---|------------|
| <b>ACSmith</b><br>Innovation has a name. |                  | <b>ELECTRICAL PRODUCTS<br/>COMPANY</b><br>A DIVISION OF A. O. SMITH CORPORATION |            |
| 名称<br>CONN DIAGRAM-EXTERNAL              |                  |   |            |
| 图幅<br>C                                  | 图号<br>261B865F01 |   | 比例<br>NONE |
|  |                  |   | 页号<br>1    |

4

3

2

1