

PRODUCT INFORMATION PACKET



Model No: BL6419

Catalog No: BL6419

1/6-1/8-1/10-1/12 HP Fan & Blower Motor, 1050 RPM, 4 Speed, 115 Volts, 42 Frame, OAO

Fan and Blower Motors



Regal and Century are trademarks of Regal Rexnord Corporation or one of its affiliated companies.

©2022 Regal Rexnord Corporation, All Rights Reserved. MC017097E





Nameplate Specifications

Output HP	1/6,1/8,1/10,1/12 Hp	Output KW	0.13 kW
Frequency	60 Hz	Voltage	115 V
Current	5.5 A	Speed	1050 rpm
Service Factor	1	Phase	1
Duty	Air Over	Insulation Class	B
Frame	42Y	Enclosure	Open Air Over
Thermal Protection	Automatic	Ambient Temperature	40 °C
UL	Recognized	CSA	Y
CE	N	Number of Speeds	4

Technical Specifications

Electrical Type	Shaded Pole	Starting Method	Across The Line
Poles	6	Rotation	Counterclockwise Lead End
Mounting	Resilient Rings	Motor Orientation	Horizontal
Drive End Bearing	Sleeve	Opp Drive End Bearing	Sleeve
Frame Material	Rolled Steel	Shaft Type	Flat
Overall Length	8.25 in	Shaft Diameter	0.500 in
Shaft Extension	4.4 in		
Outline Drawing	326P149-OL	Connection Drawing	7559A84F01

This is an uncontrolled document once printed or downloaded and is subject to change without notice. Date Created:02/07/2022

4

3

2

1

REV	ECO	REV BY	DATE	APPD	DATE
.	0026399	J.AGUILERA	05-28-2012	R.RASCON	05-28-2012

GENERAL INFORMATION:

SHAFT RUNOUT: .001[.03] T.I.R. PER INCH LENGTH OF EXTENSION.

END PLAY: .010[.30] TO .063[1.60]

BEARINGS: SLEEVE

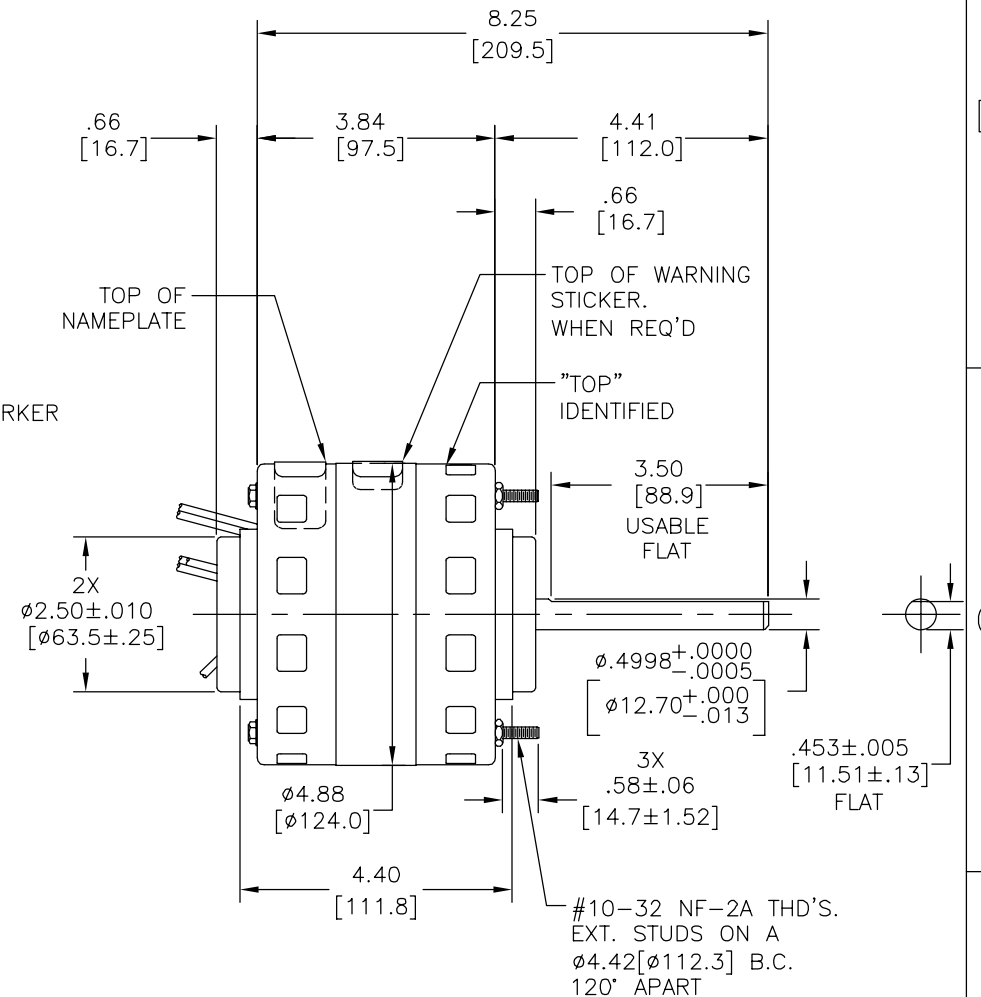
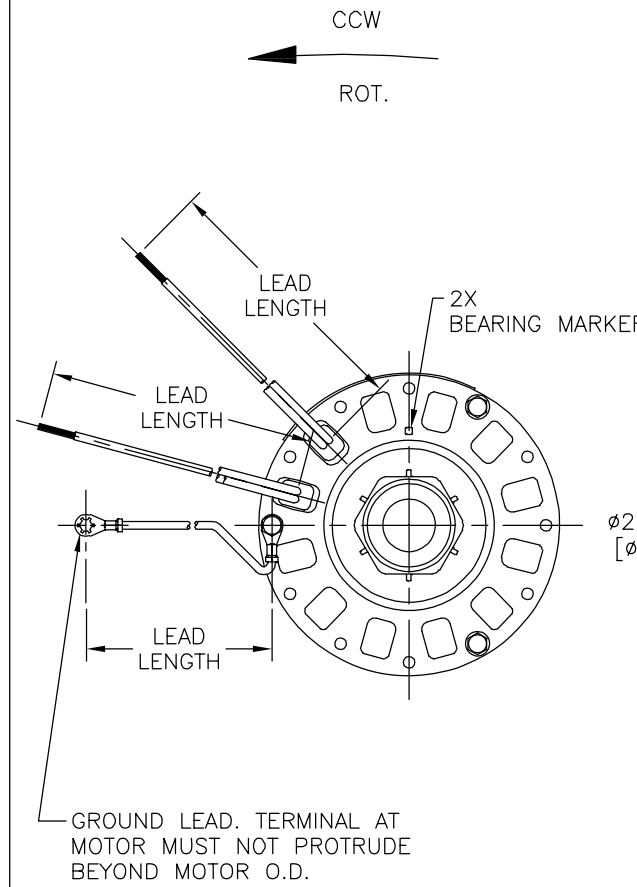
MOUNTING POSITION: HORIZONTAL

ELECTRICAL DATA:

OVERLOAD PROTECTOR: AUTOMATIC RESET (T.I. 7AM 304)

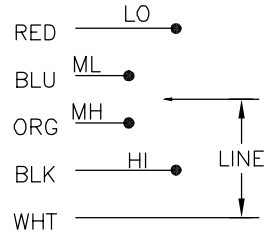
LEADS: NO. 18 GA. , .06[1.5] THK. , 125°C INSUL.

GROUND LEAD: NO. 18 GA. , .03[.8] THK. , GREEN/YELLOW INSUL.



NAMEPLATE DATA: EXTERNAL CONNECTION DIAGRAM

MODEL NO.: 326P149
 CUST. P/N: BL6419
 HP: 1/6, 1/8, 1/10, 1/12
 ROT.: CCWLE
 RPM: 1050/4 SPD.
 TYPE: FE
 FRAME: 42Y
 VOLTS: 115
 PH: 1
 AMPS: 5.5
 HZ: 60
 INS.: B
 AMB.: 40° C
 DUTY: AIR COVER
 CAP.: -
 ENCL.: -
 UL LOGO
 CSA LOGO
 THERMALLY PROTECTED TYPE C



COLOR	LENGTH	TERMINAL OR STRIP LENGTH
GREEN/YELLOW (GRD)	5.5/6.5 [139.7/165.1]	#10 EYELET
RED	23.0/25.0 [584/635]	.50[12.7] SKIN
BLUE	23.0/25.0 [584/635]	.50[12.7] SKIN
ORANGE	23.0/25.0 [584/635]	.50[12.7] SKIN
WHITE	23.0/25.0 [584/635]	.50[12.7] SKIN
BLACK	23.0/25.0 [584/635]	.50[12.7] SKIN

MAIN FRAME - OLE	OPEN
END FRAME - OLE	OPEN
MAIN FRAME - LE	OPEN
END FRAME - LE	OPEN

CUSTOMER	DISTRIBUTION SERVICE
----------	----------------------

PERFORMANCE CURVE NO.	TORQUE @ 1050 RPM (25°C)	APPROVED SAMPLE	UL COMPONENT FILE #	CCN #	CSA FILE #	CLASS #
C30178	114.4 OZ. FT.	PSE7725B	E46412	PRGY2	LR43341	4211-01

GEOMETRIC CHARACTERISTICS & SYMBOLS
 □ FLATNESS
 — STRAIGHTNESS
 ∠ ANGULARITY
 ⊥ PERPENDICULARITY (SQUARENESS)
 // PARALLELISM
 ○ ROUNDNESS (CIRCULARITY)
 ∅ CYLINDRICITY
 △ PROFILE OF ANY SURFACE
 ∩ PROFILE OF ANY LINE
 ↑ RUNOUT
 ⊕ TRUE POSITION
 ⊙ CONCENTRICITY
 = SYMMETRY
 ASME Y14.5M 1994

REGAL-BELOIT CORPORATION (RBC) PROVIDES TECHNICAL ASSISTANCE TO OUR CUSTOMERS IN SEVERAL AREAS. SINCE RBC DOES NOT RECEIVE ALL DATA CONCERNING THE USE AND APPLICATION OF THE MOTOR, THE SUITABILITY OF THE MOTOR FOR THE APPLICATION MUST BE DETERMINED BY THE CUSTOMER.
 DIMENSIONS WITHOUT TOLERANCES ARE FOR REFERENCE ONLY.

DR BY: J.RUPERT 10-03-1996
 APPD: .
 THIRD ANGLE PROJECTION
 EDS DATE 11-11-2011
 FORMAT REV H
 CONFIDENTIAL: THIS DRAWING AND ITS INFORMATION ARE THE EXCLUSIVE AND CONFIDENTIAL PROPERTY OF REGAL-BELOIT CORPORATION AND ARE NOT TO BE DISCLOSED, DUPLICATED, DISTRIBUTED OR OTHERWISE USED WITHOUT THE WRITTEN CONSENT OF REGAL-BELOIT CORPORATION. -ALL RIGHTS RESERVED.

REGAL REGAL-BELOIT CORPORATION

DESCRIPTION: MODEL-RFHP-42FR OUTLINE

SIZE: C DWG NO: 326P149-OL

SCALE: NONE SHEET: 1

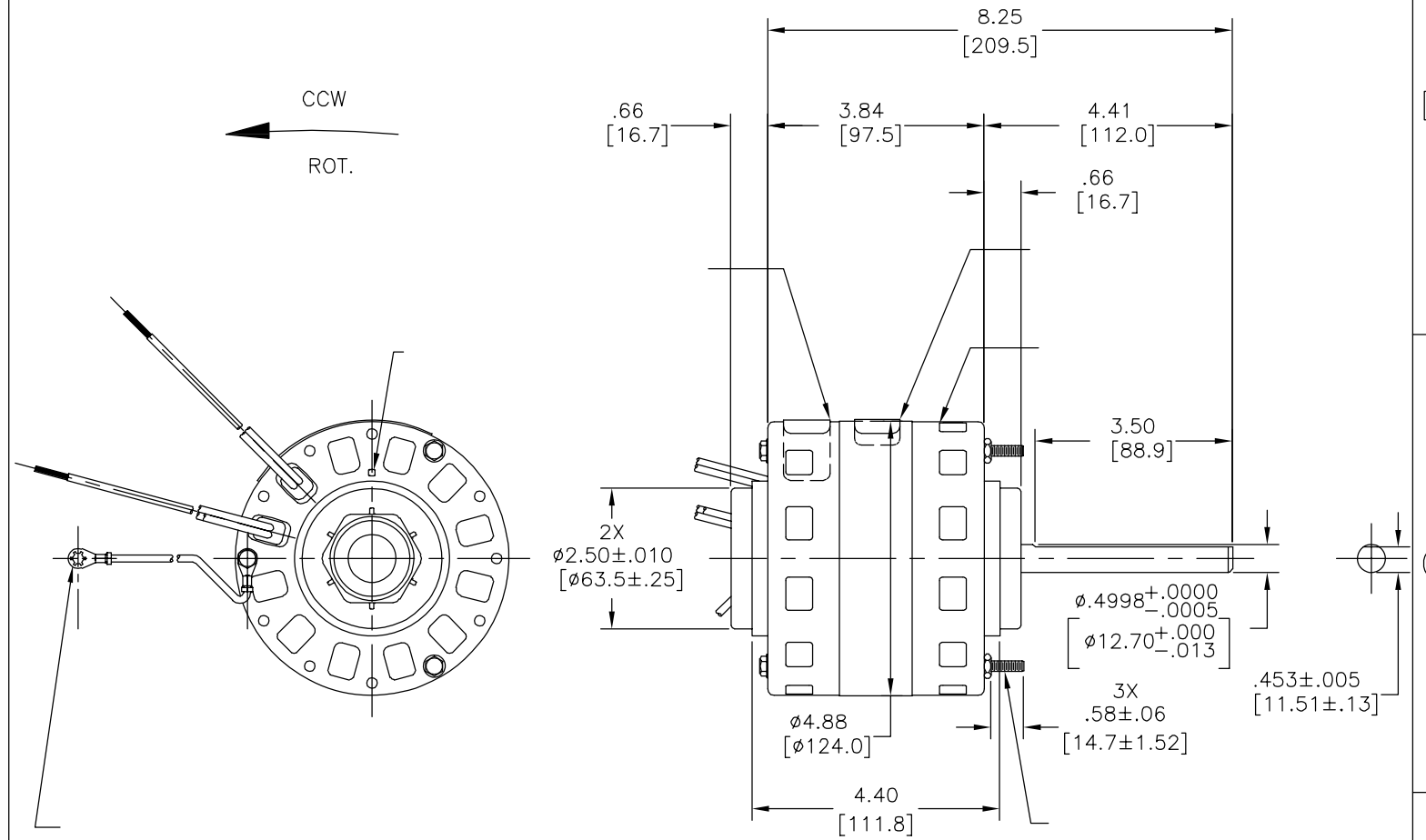
4

3

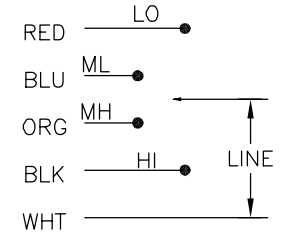
2

1

REVISION:	ECO	REVISADO POR:	J.AGUILERA	FECHA:	05-28-2012	APROBADO POR:	R.RASCON	FECHA:	05-28-2012
	0026399								



MODEL NO.: 326P149
 CUST. P/N: BL6419
 HP: 1/6, 1/8, 1/10, 1/12
 ROT.: CCWLE
 RPM: 1050/4 SPD.
 TYPE: FE
 FRAME: 42Y
 VOLTS: 115
 PH: 1
 AMPS: 5.5
 HZ: 60
 INS.: B
 AMB.: 40° C
 DUTY: AIR COVER
 CAP.: -
 ENCL: -
 UL LOGO
 CSA LOGO
 THERMALLY PROTECTED
 TYPE C



	5.5/6.5	
	[139.7/165.1]	
	23.0/25.0	
	[584/635]	
	23.0/25.0	
	[584/635]	
	23.0/25.0	
	[584/635]	
	23.0/25.0	
	[584/635]	
	23.0/25.0	
	[584/635]	

	TORQUE @ 1050 RPM (25°C)					
C30178	114.4 OZ. FT.	PSE7725B	E46412	PRGY2	LR43341	4211-01

DISTRIBUTION SERVICE

CARACTERISTICAS DE GEOMETRIA Y SIMBOLOS
 □ PLANICIDAD
 - RECTITUD
 < ANGULARIDAD
 ⊥ PERPENDICULARIDAD (A ESCUADRA)
 // PARALELISMO
 ○ REDONDEZ (CIRCULARIDAD)
 ∅ CILINDRICIDAD
 △ PERFIL DE CUALQUIER SUPERFICIE
 ∇ PERFIL DE CUALQUIER LINEA
 ↑ VARIACION
 ⊕ POSICION REAL
 ⊙ CONCENTRICIDAD
 = SIMETRIA
 ASME Y14.5M 1994

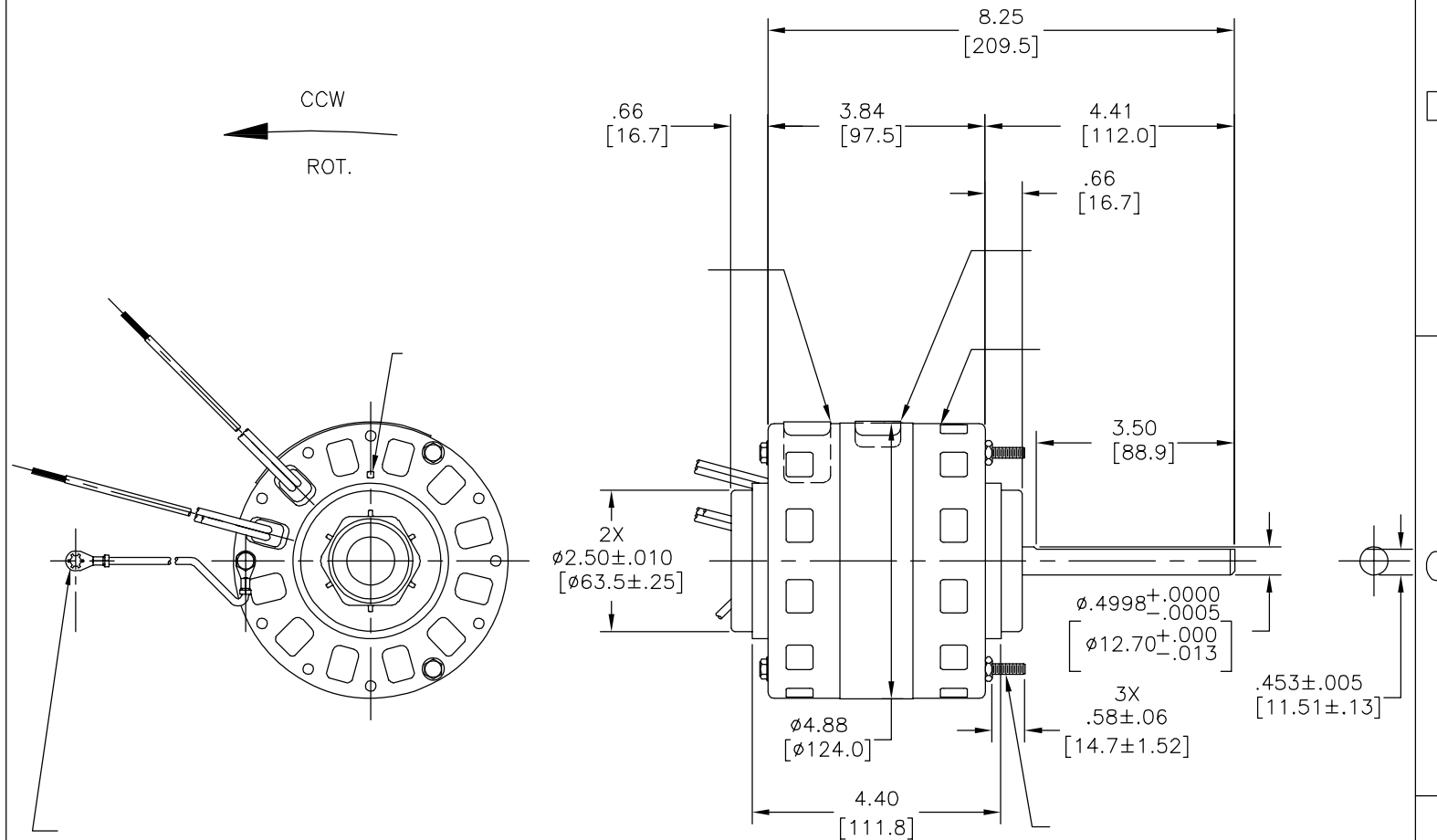
REGAL-BELOIT CORPORATION (RBC) PROVEE ASISTENCIA TECNICA A NUESTROS CLIENTES EN VARIAS AREAS. DESDE QUE RBC NO RECIBE TODOS LOS DATOS EN RELACION AL USO Y A LA APLICACION DEL MOTOR, LA APLICACION ADECUADA DEL MOTOR DEBE SER DETERMINADA POR EL CLIENTE.

DIMENSIONES SIN TOLERANCIA SON DE REFERENCIA SOLAMENTE

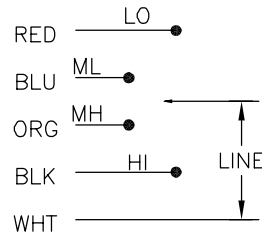
DIBUJADO POR: J.RUPERT
 APROBADO POR:
 TERCER ANGULO DE PROYECCION
 10-03-1996
 FECHA EDS: 11-11-2011
 REV. FORMATO: H
 CONFIDENCIAL: ESTE DIBUJO Y SU INFORMACION SON PROPIEDAD DE USO EXCLUSIVO Y CONFIDENCIAL DE REGAL-BELOIT CORPORATION. Y NO DEBERAN SER REVELADOS, DUPLICADOS, DISTRIBUIDOS O USARSE DE OTRA MANERA SIN EL CONSENTIMIENTO ESCRITO DE REGAL-BELOIT CORPORATION. -TODOS LOS DERECHOS RESERVADOS.

REGAL REGAL-BELOIT CORPORATION
 DESCRIPCION: MODEL-RFHP-42FR OUTLINE
 TAMAÑO: C NUMERO DE DIBUJO: 326P149-0L
 ESCALA: NONE HOJA: 1

版本	ECO	编制	日期	批准	日期
.	0026399	J.AGUILERA	05-28-2012	R.RASCON	05-28-2012



MODEL NO.: 326P149
 CUST. P/N: BL6419
 HP: 1/6, 1/8, 1/10, 1/12
 ROT.: CCWLE
 RPM: 1050/4 SPD.
 TYPE: FE
 FRAME: 42Y
 VOLTS: 115
 PH: 1
 AMPS: 5.5
 HZ: 60
 INS.: B
 AMB.: 40° C
 DUTY: AIR COVER
 CAP.: -
 ENCL: -
 UL LOGO
 CSA LOGO
 THERMALLY PROTECTED
 TYPE C



	5.5/6.5	
	[139.7/165.1]	
	23.0/25.0	
	[584/635]	
	23.0/25.0	
	[584/635]	
	23.0/25.0	
	[584/635]	
	23.0/25.0	
	[584/635]	
	23.0/25.0	
	[584/635]	

	TORQUE @ 1050 RPM (25°C)					
C30178	114.4 OZ. FT.	PSE7725B	E46412	PRGY2	LR43341	4211-01

- 形位公差
- 平面度
- 直线度
- ∠ 倾斜度
- ⊥ 垂直度
- // 平行度
- 圆度
- ⊘ 圆柱度
- ⊙ 面轮廓度
- △ 线轮廓度
- ⤴ 圆跳动
- ⊕ 位置度
- ⊗ 同轴度
- ≡ 对称度

ASME Y14.5M 1994

REGAL-BELOIT CORPORATION (RBC) 在个别领域为客户提供技术支持。鉴于RBC未收到任何涉及电机使用和应用环境的数据，电机的适用性由客户自己决定。

未注公差尺寸仅供参考。

绘图: J.RUPERT 10-03-1996
 批准: .
 第三角投影
 机密: 本图纸及相关信息所有权归REGAL-BELOIT CORPORATION。未经REGAL-BELOIT CORPORATION书面授权, 不得泄露、复制或传播或作其他用途。—版权所有

REGAL REGAL-BELOIT CORPORATION

名称: MODEL-RFHP-42FR OUTLINE

图幅: C 图号: 326P149-0L

比例: NONE 页号: 1