

PRODUCT INFORMATION PACKET



Model No: BL6505V1

Catalog No: BL6505V1

Fan and Blower Motor, 1/5,1/8,1/10 HP, 1 Ph, 60 Hz, 115 V, 1075 RPM, 3 Speed, 42 Frame, OAO



Regal and Century are trademarks of Regal Rexnord Corporation or one of its affiliated companies.

©2023 Regal Rexnord Corporation, All Rights Reserved. MC017097E





Nameplate Specifications

Output HP	1/5,1/8,1/10 Hp	Output KW	0.15 kW
Frequency	60 Hz	Voltage	115 V
Current	3.2,2.1,1.7 A	Speed	1075 rpm
Service Factor	1	Phase	1
Duty	Air Over	Insulation Class	B
Frame	42Y	Enclosure	Open Air Over
Thermal Protection	Automatic	Ambient Temperature	40 °C
UL	Recognized	CSA	Y
CE	N	Number of Speeds	3

Technical Specifications

Electrical Type	Permanent Split Capacitor	Starting Method	Across The Line
Poles	6	Rotation	Reversible
Mounting	Resilient Rings	Motor Orientation	Horizontal
Drive End Bearing	Sleeve	Opp Drive End Bearing	Sleeve
Frame Material	N/A	Shaft Type	Flat
Overall Length	9.92 in	Shaft Diameter	0.500 in
Shaft Extension	5.5 in		
Connection Drawing	2877A01F01	Outline Drawing	BL6505V1-S01

This is an uncontrolled document once printed or downloaded and is subject to change without notice. Date Created:03/20/2023

GENERAL INFORMATION:

SHAFT RUNOUT: .001 [.03] T.I.R. PER INCH LENGTH OF EXTENSION

END PLAY: .010 [.25] TO .063 [1.60]

BEARINGS: SLEEVE

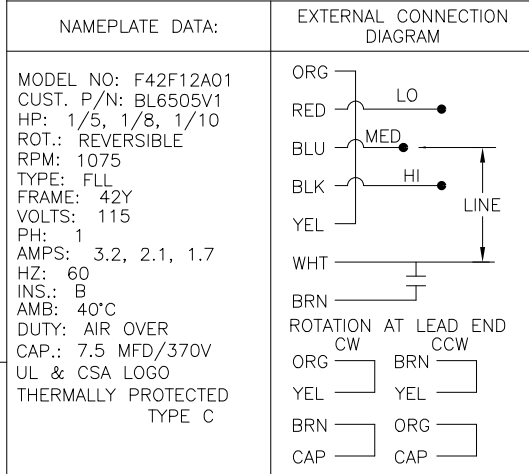
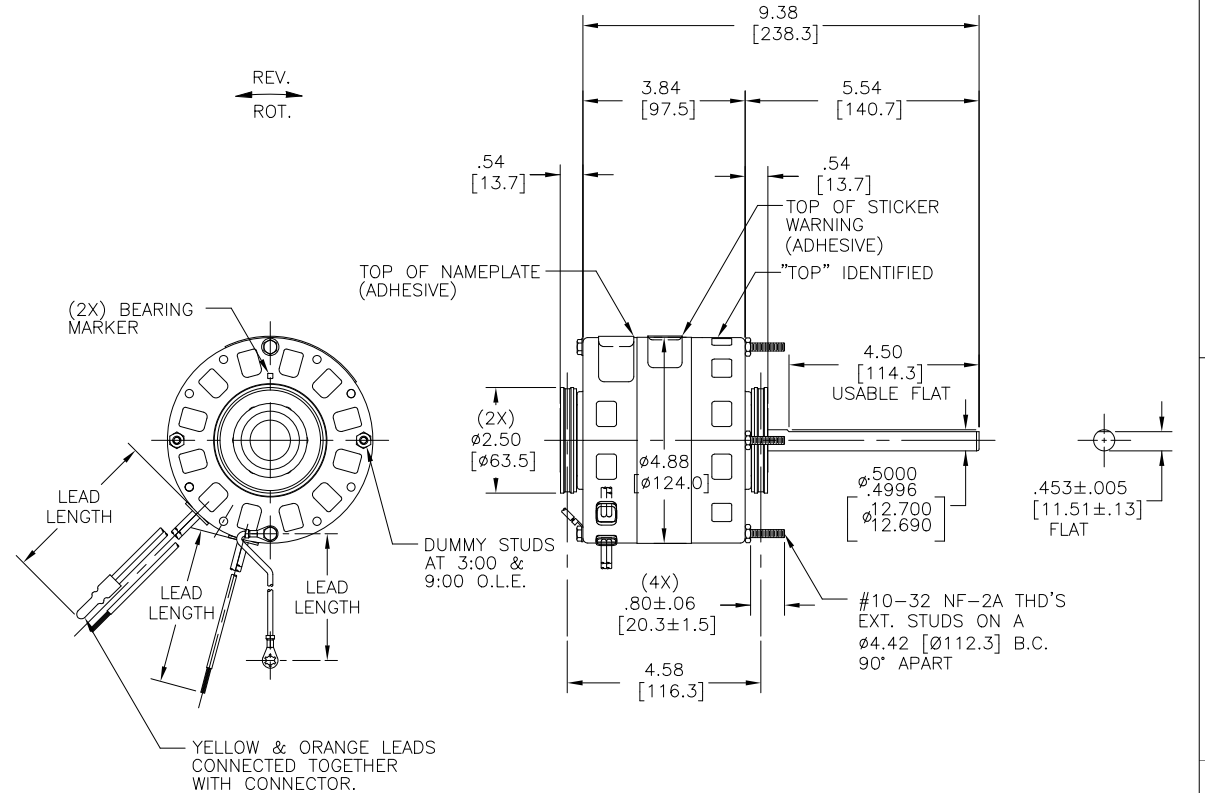
MOUNTING POSITION: HORIZONTAL

ELECTRICAL DATA:

OVERLOAD PROTECTOR: AUTOMATIC RESET (SENSATA 7AM 034)

LEADS: NO. 18 GA., .03 [.8] THK., 125°C INSUL.

GROUND LEAD: NO. 18 GA., .03 [.8] THK., GREEN INSUL.



COLOR	LENGTH	TERMINAL OR STRIP LENGTH
GREEN(GRD)	9.0/11.0 [229/279]	#10 EYELET
YELLOW	34.5/37.5 [876/953]	.60 [15.2] SKIN
ORANGE	34.5/37.5 [876/953]	.60 [15.2] SKIN
BROWN	34.5/37.5 [876/953]	.60 [15.2] SKIN
BLACK	34.5/37.5 [876/953]	.60 [15.2] SKIN
WHITE	34.5/37.5 [876/953]	.60 [15.2] SKIN
BLUE	34.5/37.5 [876/953]	.60 [15.2] SKIN
RED	34.5/37.5 [876/953]	.60 [15.2] SKIN

MAIN FR. — OLE	OPEN
END FR. — OLE	OPEN
MAIN FR. — LE	OPEN
END FR. — LE	OPEN

PERFORMANCE CURVE NO.	TORQUE @ 1075 RPM (25°C)	APPROVED SAMPLE	UL COMPONENT FILE #	CCN #	CSA FILE #	CLASS #
C32102	19.3 OZ. FT.	PSA7748	E27885	XEWR2	LR43341	4211-01

DRAWING REVISION	REVISION BY	DATE
H	J. RUPERT	03-10-2023
ECO	J. RUPERT	03-10-2023
ECO DESCRIPTION	CHANGED UL FILE NUMBER	

COPYRIGHT REGAL BELOIT AMERICA, INC. ALL RIGHTS RESERVED.
 PROPRIETARY AND CONFIDENTIAL INFORMATION - THIS DOCUMENT IS THE PROPERTY OF REGAL BELOIT AMERICA, INC. (OWNER) AND COMPANY OWNER'S PROPRIETARY INFORMATION. ANY PERSON, CORPORATION OR OTHER ENTITY, DUPLICATED, AND/OR USED, EXCEPT BY RECEIVING IT TO AGREE THAT IT, AND/OR ANY PART OF IT, SHALL NOT BE DISCLOSED TO ANY PERSON, CORPORATION OR OTHER ENTITY, DUPLICATED, AND/OR USED, EXCEPT AS EXPRESSLY APPROVED IN WRITING IN ADVANCE BY OWNER. THIS DOCUMENT SHALL BE RETURNED TO OWNER UPON REQUEST. IT MAY BE SUBJECT TO CERTAIN RESTRICTIONS UNDER APPLICABLE EXPORT CONTROL LAWS AND REGULATIONS.

ENCLOSURE		CUSTOMER	DISTRIBUTION SERVICES
DRAWN BY: J. RUPERT		Regal Beloit America, Inc.	MODEL-RFHP-42FR OUTLINE
DATE: 08-05-2004			
APPROVED BY: J. RUPERT			
DATE: 08-05-2004			
REFERENCE: 11674-032	MATERIAL	PROCESS/FINISH	
THIRD ANGLE PROJECTION	SIZE C	DWG NO. BL6505V1	SHEET 1