

PRODUCT INFORMATION PACKET



Model No: BL6519

Catalog No: BL6519

Fan and Blower Motor, 1/4 1/5 1/6 HP, 1 Ph, 60 Hz, 115 V, 1075 RPM, 3 Speed, 42 Frame, OAO



Regal and Century are trademarks of Regal Rexnord Corporation or one of its affiliated companies.
©2025 Regal Rexnord Corporation, All Rights Reserved. MC017097E





Nameplate Specifications

Phase	1	Output HP	1/4 1/5 1/6 Hp
Voltage	115 V	Speed	1075 rpm
Service Factor	1.0	Frame	42Y
Enclosure	Open Air Over	Thermal Protection	Automatic
Ambient Temperature	40 °C	Frequency	60 Hz
Current	4.7 A	Duty	Air Over
Insulation Class	B	UL	Recognized
CSA	Y	CE	N
Number of Speeds	3		

Technical Specifications

Electrical Type	Permanent Split Capacitor	Starting Method	Across The Line
Poles	6	Rotation	Reversible
Mounting	Extended Studs	Motor Orientation	Horizontal
Drive End Bearing	Sleeve	Opp Drive End Bearing	Sleeve
Frame Material	N/A	Shaft Type	Flat
Overall Length	9.83 in	Shaft Diameter	0.500 in
Shaft Extension	4.7 in		
Connection Drawing	617835	Outline Drawing	BL6519-S01

This is an uncontrolled document once printed or downloaded and is subject to change without notice. Date Created:02/10/2025

GENERAL INFORMATION:

SHAFT RUNOUT: .001 [.025] T.I.R. PER INCH LENGTH OF EXTENSION

END PLAY: .010[.254] TO .063[1.600]

BEARINGS: SLEEVE

MOUNTING: HORIZONTAL

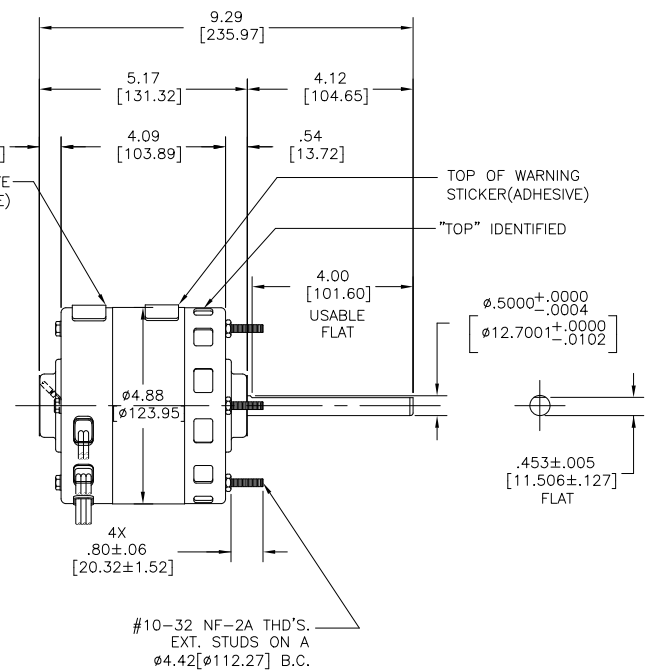
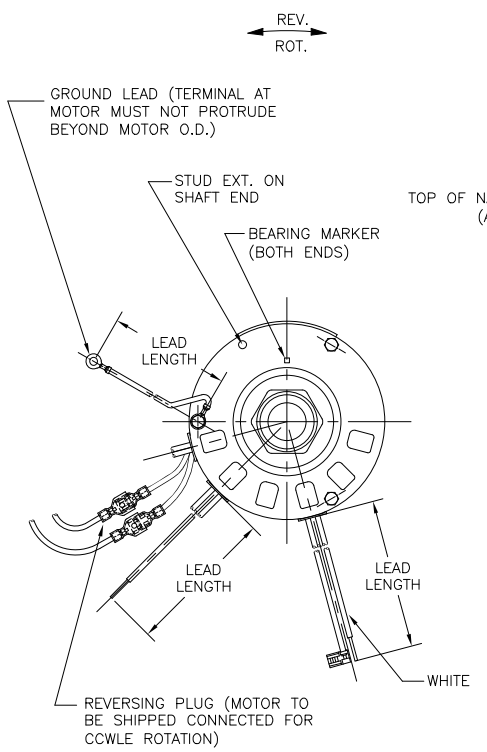
ELECTRICAL DATA:

OVERLOAD PROTECTOR: AUTOMATIC RESET (SENSATA 7AM 304)

LEADS: NO. 18 GA., .06 [1.52] THK. 125°C INSUL.

REVERSING LEADS: NO. 18 GA., 125°C INSUL. (.03 THK. BLACK,BLUE, AND WHITE) (.06 THK. BROWN)

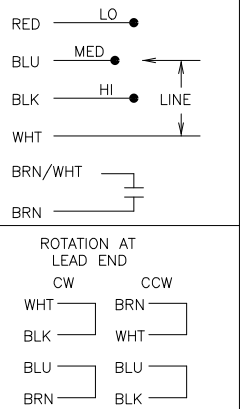
GROUND LEAD: NO. 18 GA., .03 [.76] THK. GREEN INSUL.



NAMEPLATE DATA:

MODEL: 322P924
 CUST. P/N: BL6519
 HP: 1/4 1/5 1/6
 ROT: REV.
 RPM: 1075/3 SPD
 TYPE: FLL
 FRAME: 42Y
 VOLTS: 115
 PH: 1
 AMPS: 4.7
 HZ: 60
 INS: B*
 AMB: 40C
 DUTY: AIR OVER
 CODE: 5 MFD/370V
 UL LOGO
 CSA LOGO
 THERMALLY PROTECTED TYPE C

EXTERNAL CONNECTION DIAGRAM



PERFORMANCE CURVE NO.	TORQUE @1075 RPM (25°C)	APPROVED SAMPLE
C30176	23.6 OZ. FT.	PSE7726C

CCN #		CSA	
FILE #	CLASS #	FILE #	CLASS #
E27885	XEWR2	LR43341	4211-01

GREEN(GRD)	5.0/7.0[127.0/177.8]	#10 EYELET
BLUE(REV)	4.0/6.0[101.6/152.4]	PRE-INSUL. TAB TERM.
BLACK(REV)	4.0/6.0[101.6/152.4]	PRE-INSUL. SPADE TERM.
WHITE(REV)	4.0/6.0[101.6/152.4]	PRE-INSUL. TAB TERM.
BROWN(REV)	4.0/6.0[101.6/152.4]	PRE-INSUL. SPADE TERM.
BROWN/WHITE	12.0/14.0[304.8/355.6]	.25[6.35] FLAG
BROWN	12.0/14.0[304.8/355.6]	.25[6.35] FLAG
BLUE	28.0/30.0[711.2/762.0]	.60 [15.24] SKIN
RED	28.0/30.0[711.2/762.0]	.60 [15.24] SKIN
BLACK	28.0/30.0[711.2/762.0]	.60 [15.24] SKIN
WHITE	28.0/30.0[711.2/762.0]	.60 [15.24] SKIN
COLOR	LENGTH	TERMINAL OR STRIP LENGTH

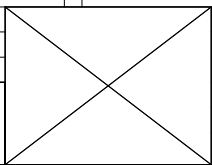
REGAL-BELOIT CORPORATION (RBC) PROVIDES TECHNICAL ASSISTANCE TO OUR CUSTOMERS IN SEVERAL AREAS. SINCE RBC DOES NOT RECEIVE ALL DATA CONCERNING THE USE AND APPLICATION OF THE MOTOR, THE SUITABILITY OF THE MOTOR FOR THE APPLICATION MUST BE DETERMINED BY THE CUSTOMER.

DIMENSIONS WITHOUT TOLERANCES ARE FOR REFERENCE ONLY.

MAIN FRAME - OLE	OPEN
END FRAME - OLE	OPEN
MAIN FRAME - LE	SEMI-ENCL
END FRAME - LE	SEMI-ENCL

CUSTOMER	DIST. SERVICE
----------	---------------

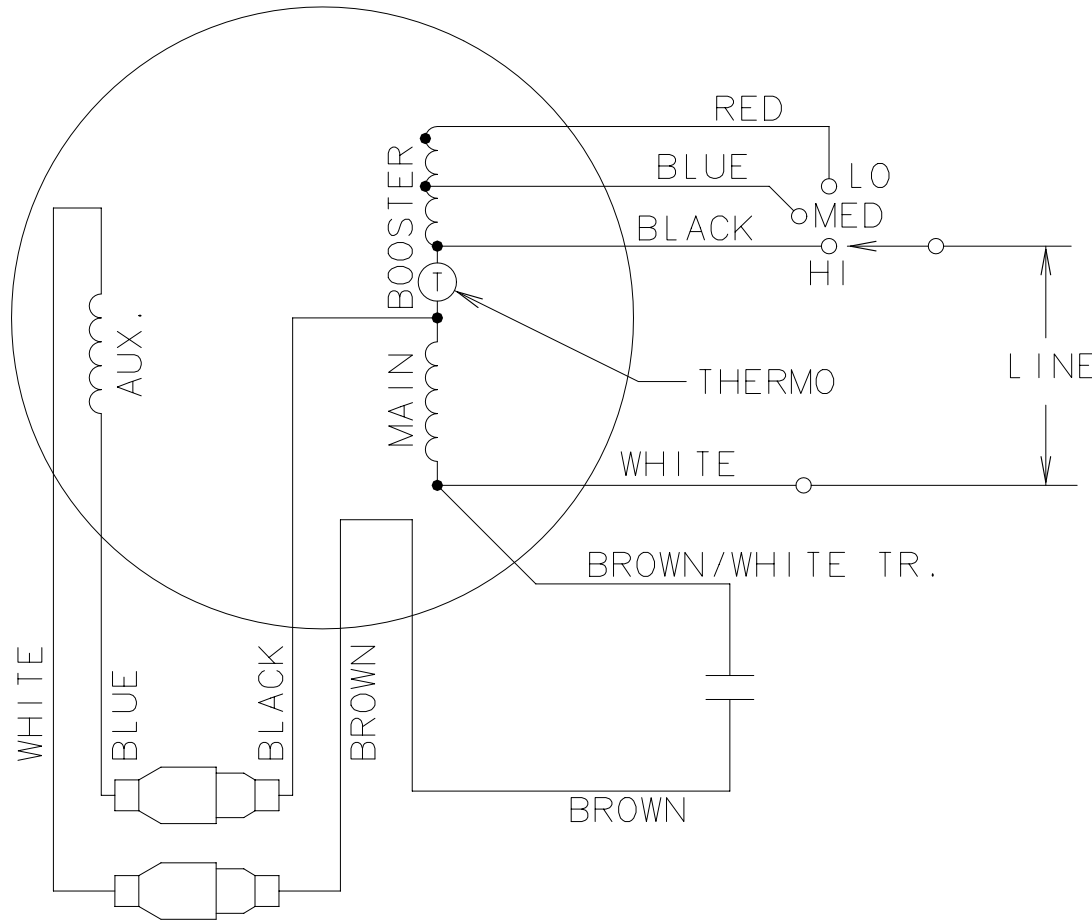
DRAWING REVISION	REVISION BY	DATE
C	J. RUPERT	05-03-2023
ECO	APPROVED BY	DATE
ECR-0225481	J. RUPERT	05-03-2023
ECO DESCRIPTION		
CHANGED CURVE NUMBER FROM C30175		



DRAWN BY:	G. ZHAO
DATE:	12-18-2014
APPROVED BY:	DT
DATE:	12-18-2014
REFERENCE	
THIRD ANGLE PROJECTION	

REGAL Beloit America, Inc.	
DESCRIPTION	MODEL-RFHP-42FR OUTLINE
MATERIAL	PROCESS/FINISH
SIZE	DWG NO
C	BL6519
SHEET	1

CONFIDENTIAL: THIS DRAWING AND ITS INFORMATION ARE THE EXCLUSIVE AND CONFIDENTIAL PROPERTY OF A.O.SMITH CORP. AND ARE NOT TO BE DISCLOSED, DUPLICATED, DISTRIBUTED OR OTHERWISE USED WITHOUT THE WRITTEN CONSENT OF A.O.SMITH CORP. - ALL RIGHTS RESERVED




QUALITY CONTROL NOTE

TO CHECK THE WINDINGS FOR OPENS, VERIFY THE CONTINUITY BETWEEN THE PLAIN BROWN LEAD & THE WHITE LEAD AND BETWEEN THE PLAIN BROWN & THE RED LEAD.

CCW
 BROWN — WHITE
 BLUE — BLACK

CW
 WHITE — BLACK
 BLUE — BROWN

REV. ROT., TYPE FLL,
 MODIFIED "T" CONN.

	DATE	CHANGED FROM	NOTICE	MATERIAL	PROCESS	A.O. SMITH A DIVISION OF A.O. SMITH CORPORATION ELECTRICAL PRODUCTS COMPANY TIPP CITY, OHIO		 COPYRIGHT 1992
				FIRST MODEL 322P924	SHEET 1 OF 1	DRAWN BY HEATH	NPN NO. 17615	DESCRIPTION FR.42 TYPE FLL DIAG. MLW
				NO. OF MODELS 1	REFERENCE 617633	SCALE NONE	APPROVED BY	REL. DATE 7/21/87
				LIMITS UNLESS OTHERWISE SPECIFIED: FRACTIONS ± NONE ANGLES ± NONE DECIMALS ± NONE		GROUP CODE FR42	FILE CODE CONEXT	PART NO. 617835

* CADAM DWG. -DO NOT ALTER

B# 10