

# PRODUCT INFORMATION PACKET



Model No: BL6519V1

Catalog No: BL6519V1

Fan and Blower Motor, 1/4-1/5-1/6 HP, 1 Ph, 60 Hz, 115 V, 1075 RPM, 3 Speed, 42 Frame, OAO



Regal and Century are trademarks of Regal Rexnord Corporation or one of its affiliated companies.

©2023 Regal Rexnord Corporation, All Rights Reserved. MC017097E





**Nameplate Specifications**

Output HP	1/4-1/5-1/6 Hp	Output KW	0.19 kW
Frequency	60 Hz	Voltage	115 V
Current	4.7 A	Speed	1075 rpm
Service Factor	1	Phase	1
Duty	Air Over	Insulation Class	B
Frame	42Y	Enclosure	Open Air Over
Thermal Protection	Automatic	Ambient Temperature	40 °C
UL	Recognized	CSA	Y
CE	N	Number of Speeds	3

**Technical Specifications**

Electrical Type	Permanent Split Capacitor	Starting Method	Across The Line
Poles	6	Rotation	Reversible
Mounting	Extended Studs	Motor Orientation	Horizontal
Drive End Bearing	Sleeve	Opp Drive End Bearing	Sleeve
Frame Material	N/A	Shaft Type	Flat
Overall Length	9.29 in	Shaft Diameter	0.500 in
Shaft Extension	4.7 in		
Outline Drawing	BL6519V1-S01	Connection Drawing	617835

This is an uncontrolled document once printed or downloaded and is subject to change without notice. Date Created:04/03/2023

GENERAL INFORMATION:

SHAFT RUNOUT: .001 [.03] T.I.R. PER INCH LENGTH OF EXTENSION

END PLAY: .010[.25] TO .063[1.60]

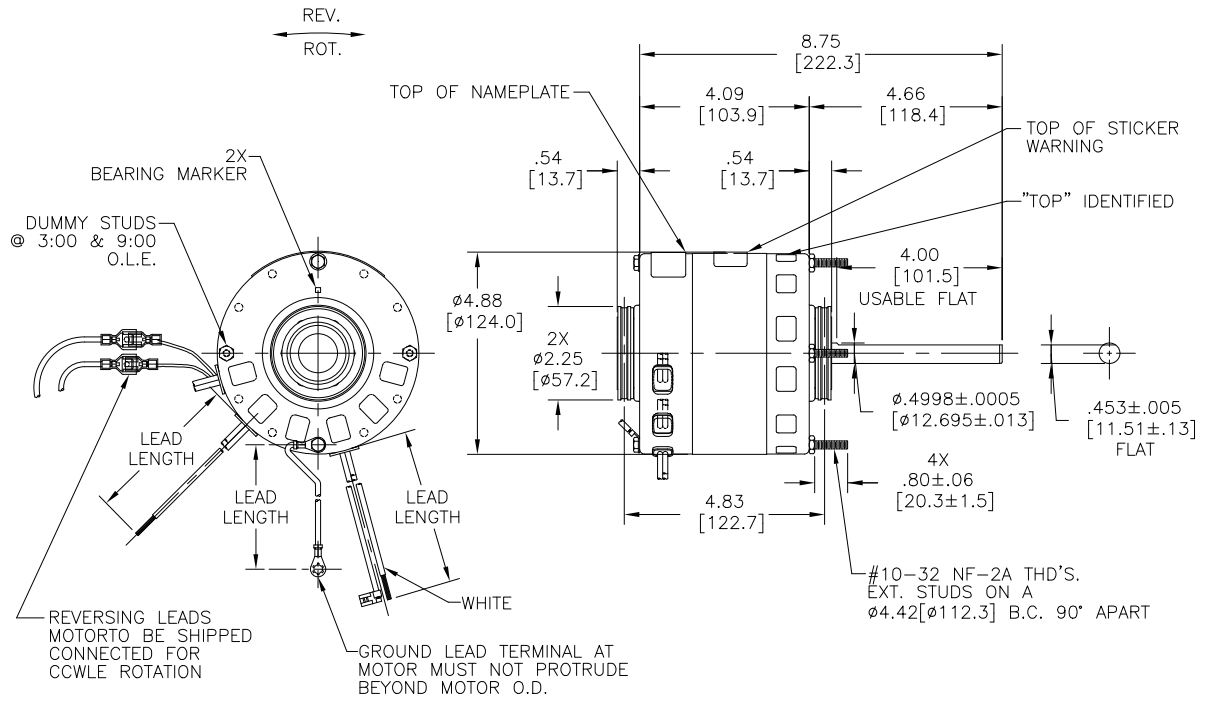
BEARINGS: HORIZONTAL  
MOUNTING POSITION:

ELECTRICAL DATA:

OVERLOAD PROTECTOR: AUTOMATIC RESET T.I. 7AM 304

LEADS: NO. 18 GA., .06 [1.5] THK., 125°C INSUL.

GROUND LEAD: NO. 18 GA., 125°C INSUL.  
.03 [.8] THK., BLACK, BLUE & WHITE  
.06 [1.5] THK., BROWN  
NO. 18 GA., .03 [.8] THK., GREEN INSUL.



NAMEPLATE DATA:	EXTERNAL CONNECTION DIAGRAM
MODEL NO.: F42F14A01	RED — LO
CUST. P/N: BL6519V1	BLU — MED
HP: 1/4, 1/5, 1/6	BLK — HI
ROT.: REVERSIBLE	WHT —
RPM: 1075/3 SPD.	BRN/WHT —
TYPE: FLL	BRN —
FRAME: 42Y	INS.: B
VOLTS: 115	AMB.: 40° C
PH: 1	DUTY: AIR OVER
AMPS: 4.7	CAP.: 5 MFD/ 370V
HZ: 60	ENCL: -
UL LOGO	CSA LOGO
THERMALLY PROTECTED	

PERFORMANCE CURVE NO.	TORQUE @1075 RPM (25°C)	APPROVED SAMPLE	UL COMPONENT FILE #	CCN #	CSA FILE #	CLASS #
C30176	23.6 OZ. FT.	PSE7726C	E27885	XEWR2	LR43341	4211-01

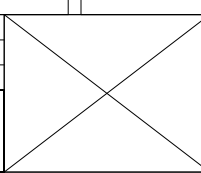
COLOR	LENGTH	TERMINAL OR STRIP LENGTH
GREEN(GRD)	5/7 [127/178]	#10 EYELET
BLUE(REV)	4/6 [102/152]	PRE-INSUL. MALE TAB
BLACK(REV)	4/6 [102/152]	PRE-INSUL. FEMALE SPADE
WHITE(REV)	4/6 [102/152]	PRE-INSUL. MALE TAB
BROWN(REV)	4/6 [102/152]	PRE-INSUL. FEMALE SPADE
BROWN/WHITE	12/14 [305/356]	.25[6.4] FLAG
BROWN	12/14 [305/356]	.25[6.4] FLAG
BLUE	28/30 [711/762]	.60[15.2] SKIN
RED	28/30 [711/762]	.60[15.2] SKIN
BLACK	28/30 [711/762]	.60[15.2] SKIN
WHITE	28/30 [711/762]	.60[15.2] SKIN

NOTES:  
1. FOUR SPLIT RING ADAPTORS TO BE PACKED IN POLYBAG WITH EACH MOTOR.

MAIN FRAME - OLE	OPEN
END FRAME - OLE	OPEN
MAIN FRAME - LE	SEMI-ENCL.
END FRAME - LE	SEMI-ENCL.

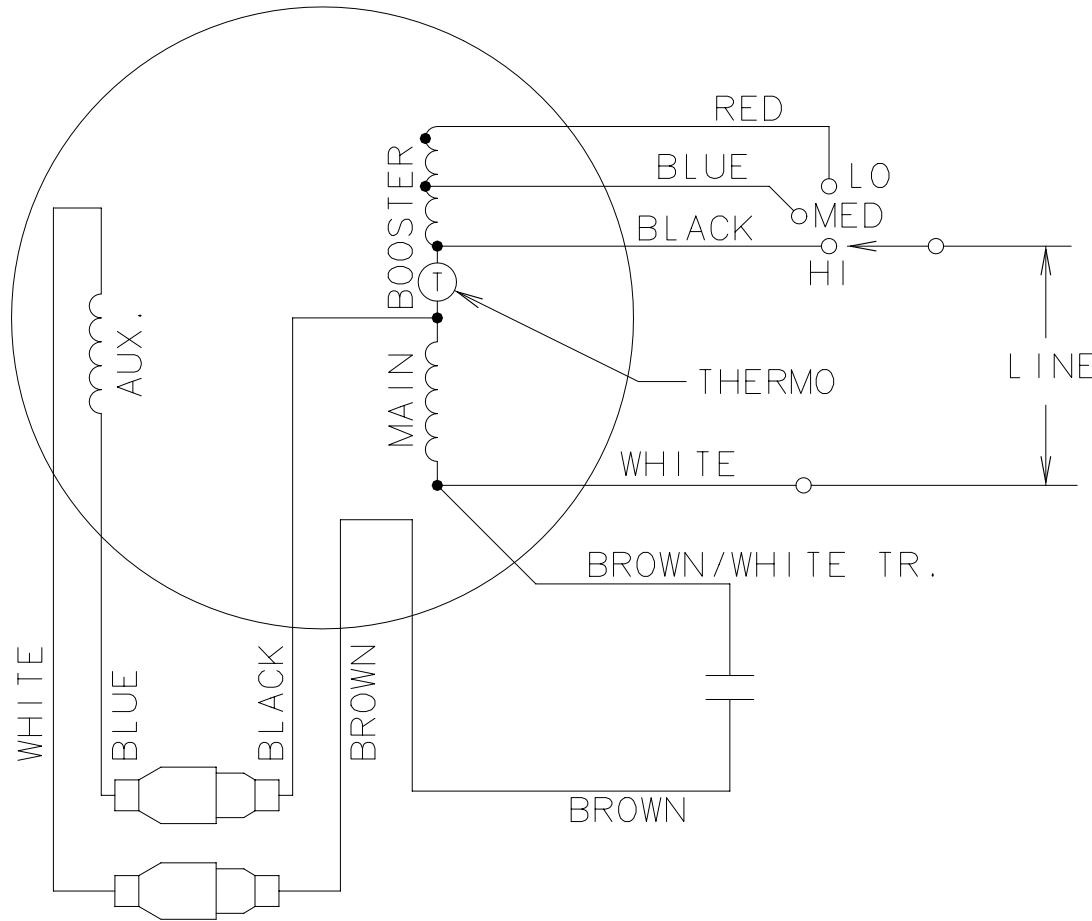
CUSTOMER	DISTRIBUTION SERVICES

DRAWING REVISION	REVISION BY	DATE
ED	J. RUPERT	03-27-2023
ECO	APPROVED BY J. RUPERT	DATE 03-27-2023
ECO-0224730		
ECO DESCRIPTION		
CHANGED UL FILE NUMBER		



DRAWN BY:	DATE:	DESCRIPTION:
A. ARREOLA	09-26-2013	MODEL-RFHP-42FR OUTLINE
APPROVED BY:		
DATE:		
REFERENCE:	MATERIAL:	PROCESS/FINISH:
THIRD ANGLE PROJECTION	SIZE DWG NO: C	BL6519V1

CONFIDENTIAL: THIS DRAWING AND ITS INFORMATION ARE THE EXCLUSIVE AND CONFIDENTIAL PROPERTY OF A.O.SMITH CORP. AND ARE NOT TO BE DISCLOSED, DUPLICATED, DISTRIBUTED OR OTHERWISE USED WITHOUT THE WRITTEN CONSENT OF A.O.SMITH CORP. - ALL RIGHTS RESERVED




**QUALITY CONTROL NOTE**

TO CHECK THE WINDINGS FOR OPENS, VERIFY THE CONTINUITY BETWEEN THE PLAIN BROWN LEAD & THE WHITE LEAD AND BETWEEN THE PLAIN BROWN & THE RED LEAD.

CCW  
 BROWN — WHITE  
 BLUE — BLACK

CW  
 WHITE — BLACK  
 BLUE — BROWN

REV. ROT., TYPE FLL,  
 MODIFIED "T" CONN.

	DATE	CHANGED FROM	NOTICE	MATERIAL	PROCESS	<b>A.O. SMITH</b> A DIVISION OF A.O. SMITH CORPORATION <b>ELECTRICAL PRODUCTS COMPANY</b> TIPP CITY, OHIO		 COPYRIGHT 1992
				FIRST MODEL 322P924	SHEET 1 OF 1	DRAWN BY HEATH	NPN NO. 17615	DESCRIPTION FR.42 TYPE FLL DIAG. MLW
				NO. OF MODELS 1	REFERENCE 617633	SCALE NONE	APPROVED BY	REL. DATE 7/21/87
				LIMITS UNLESS OTHERWISE SPECIFIED: FRACTIONS ± NONE ANGLES ± NONE DECIMALS ± NONE		GROUP CODE FR42	FILE CODE CONEXT	PART NO. <b>617835</b>

\* CADAM DWG. -DO NOT ALTER

B# 10