

PRODUCT INFORMATION PACKET



Model No: BLR6401
Catalog No: BLR6401

Fan and Blower Motor, 1/4 HP, 1 Ph, 60 Hz, 115 V, 1050 RPM, 1 Speed, 42 Frame, OPEN



Regal and Century are trademarks of Regal Rexnord Corporation or one of its affiliated companies.
©2022 Regal Rexnord Corporation, All Rights Reserved. MC017097E





Nameplate Specifications

Output HP	1/4 Hp	Output KW	0.19 kW
Frequency	60 Hz	Voltage	115 V
Current	12.3 A	Speed	1050 rpm
Service Factor	1	Phase	1
Duty	Air Over	Insulation Class	B
Frame	42Y	Enclosure	Open Enclosed
Thermal Protection	Automatic	Ambient Temperature	40 °C
UL	Recognized	CSA	Y
CE	N	Number of Speeds	1

Technical Specifications

Electrical Type	Shaded Pole	Starting Method	Across The Line
Poles	6	Rotation	Counterclockwise Lead End
Mounting	Resilient Rings	Motor Orientation	Horizontal
Drive End Bearing	Sleeve	Opp Drive End Bearing	Sleeve
Frame Material	Rolled Steel	Shaft Type	Flat
Overall Length	8.13 in	Frame Length	3.13 in
Shaft Diameter	0.500 in	Shaft Extension	3.1 in
Outline Drawing	DA3J7096-S01		

This is an uncontrolled document once printed or downloaded and is subject to change without notice. Date Created:11/28/2022

4

3

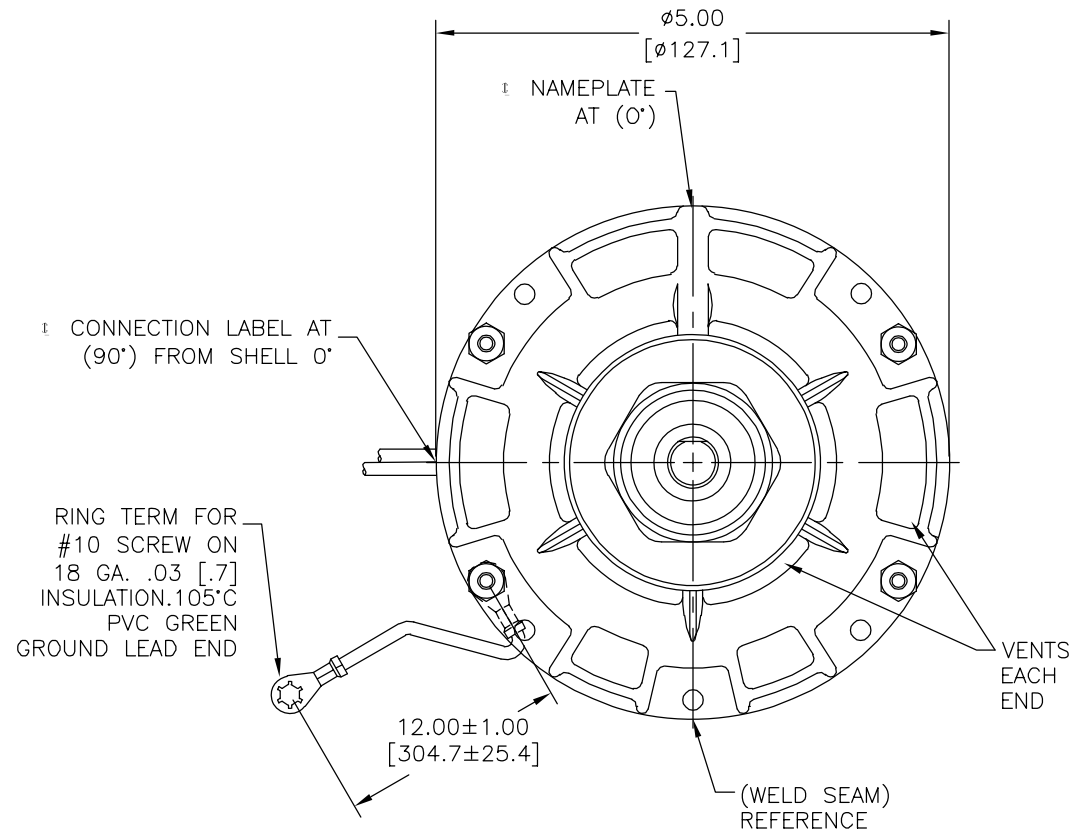
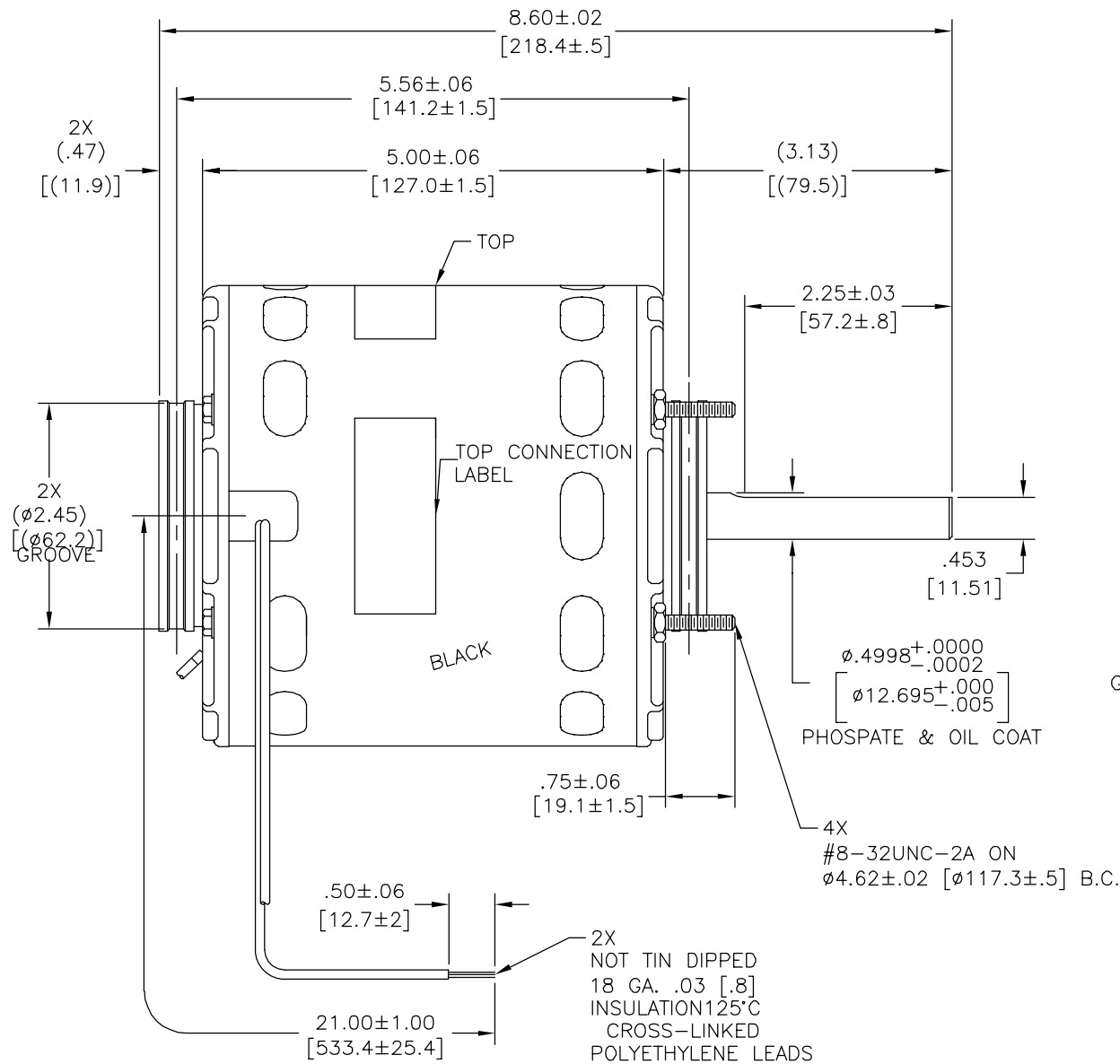
2

1

CUSTOMER IS SOLELY RESPONSIBLE FOR MOTOR PERFORMANCE AND SUITABILITY IN APPLICATIONS FOR CUSTOMER'S USES.

REV	ECO	REV BY	DATE	APPD	DATE
F	0029017	L. BERNAL	10-17-2012	R. RASCON	10-17-2012

END PLAY .005[.13] MIN - .040[1.02] MAX
 MAX. SHAFT RUN OUT .001[.02] PER INCH
 MAX. RUN OUT NOT TO EXCEED .010[.25]



NOTE
 1. DISTRIBUTION CUSTOMER P/N : BLR6401
 GRAINGER CUSTOMER P/N : 4UU90

ROT: CCWLE

NAME PLATE DATA:

Century Tipp City, OH THERMALLY PROTECTED

SER. DATE & PO# PLT LTR MOD DA3J096N" []

VOLTS 115 HZ 60 AMPS 12.3

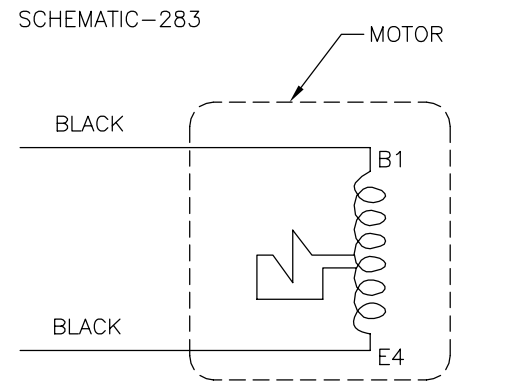
RPM 1050 SP PH1 CAP

INS CLB AMB 40°C HP1/4 CONT A0 ← ROTATION →

BRG SLV

ASSEMBLED IN MEXICO

ELECTRICALLY PER
 SAMPLE 044615B
 CURVE #32425



GEOMETRIC CHARACTERISTICS & SYMBOLS

- ▭ FLATNESS
- STRAIGHTNESS
- ∠ ANGULARITY
- ⊥ PERPENDICULARITY (SQUARENESS)
- ∥ PARALLELISM
- ROUNDNESS (CIRCULARITY)
- ⊘ CYLINDRICITY
- △ PROFILE OF ANY SURFACE
- ∩ PROFILE OF ANY LINE
- ↗ RUNOUT
- ⊕ TRUE POSITION
- ◎ CONCENTRICITY
- ≡ SYMMETRY

ASME Y14.5M 1994

REGAL-BELOIT CORPORATION (RBC) PROVIDES TECHNICAL ASSISTANCE TO OUR CUSTOMERS IN SEVERAL AREAS. SINCE RBC DOES NOT RECEIVE ALL DATA CONCERNING THE USE AND APPLICATION OF THE MOTOR, THE SUITABILITY OF THE MOTOR FOR THE APPLICATION MUST BE DETERMINED BY THE CUSTOMER.

DIMENSIONS WITHOUT TOLERANCES ARE FOR REFERENCE ONLY.

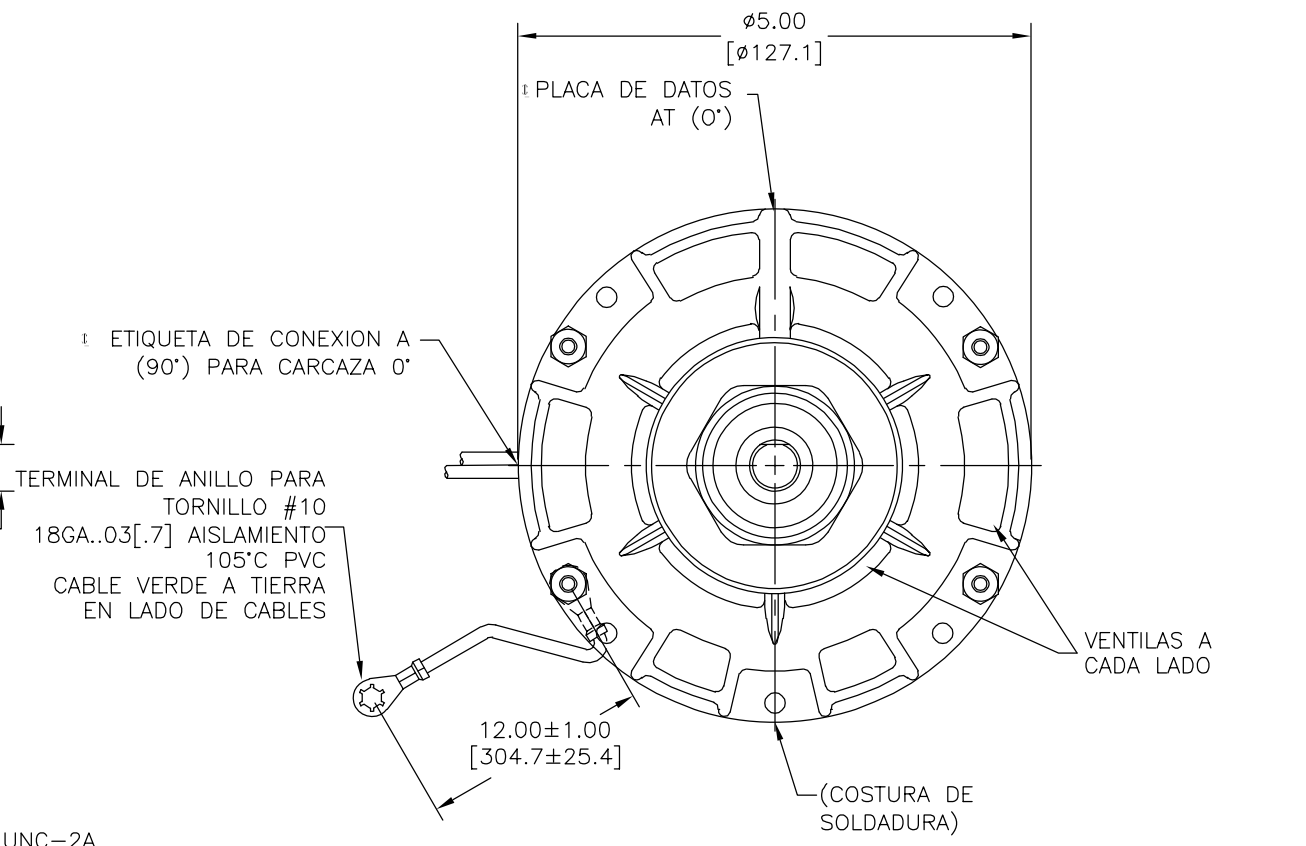
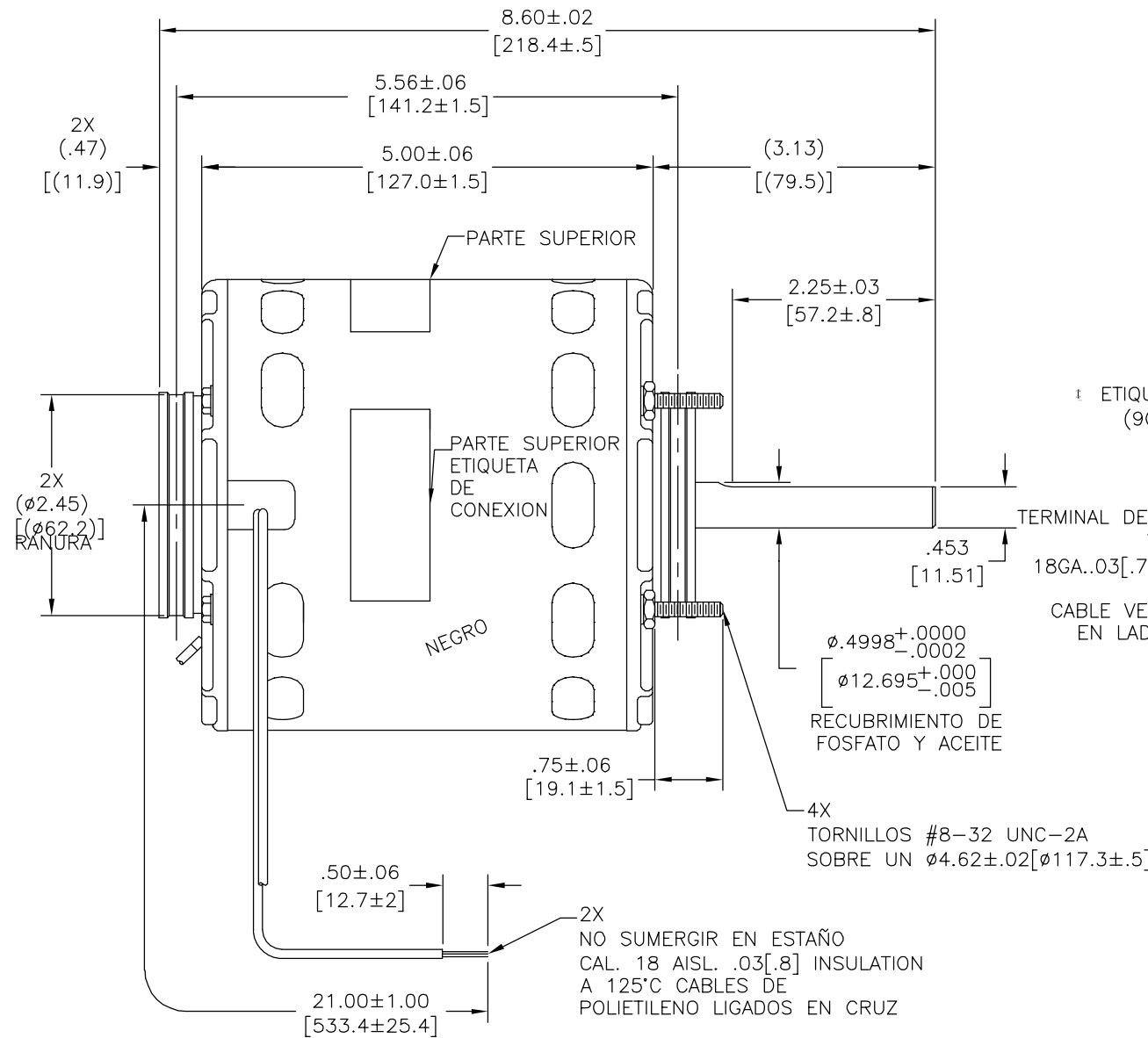
DR BY:	L. BERNAL	10-17-2012
APPD:	A. BAUGHMAN	10-17-2012
THIRD ANGLE PROJECTION		EDS DATE 11-11-2011 FORMAT REV H
CONFIDENTIAL: THIS DRAWING AND ITS INFORMATION ARE THE EXCLUSIVE AND CONFIDENTIAL PROPERTY OF REGAL-BELOIT CORPORATION AND ARE NOT TO BE DISCLOSED, DUPLICATED, DISTRIBUTED OR OTHERWISE USED WITHOUT THE WRITTEN CONSENT OF REGAL-BELOIT CORPORATION. -ALL RIGHTS RESERVED.		

REGAL REGAL-BELOIT CORPORATION	
DESCRIPTION	
MODEL-RFHP-42FR OUTLINE	
SIZE	DWG NO
C	DA3J7096
SCALE	SHEET
NONE	1

EL CLIENTE ES SOLO RESPONSABLE DEL RENDIMIENTO DEL MOTOR Y APLICACIONES CONVENIENTES PARA LOS USOS DEL CLIENTE.

REVISION:	ECO	REVISADO POR:	FECHA:	APROBADO POR:	FECHA:
F	0029017	L. BERNAL	10-17-2012	R. RASCÓN	10-17-2012

JUEGO AXIAL .005[.13] MIN - .040[1.02] MAX
 MAX. OSCILAMIENTO DE FLECHA .001[.02] POR PULGADA
 MAX. OSCILAMIENTO NO EXCEDERA DE .010[.25]



NOTA
 1. NO. DE PARTE DE DISTRIBUCION P/N : BLR6401
 NO. DE PARTE GRAINGER P/N : 4UU90

ROT: CCWLE

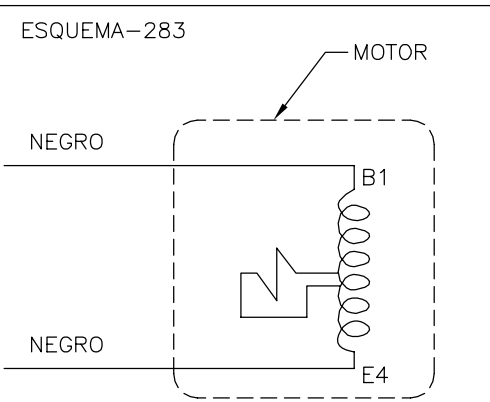
PLACA DE DATOS:

Tipp City, OH
 THERMALLY PROTECTED

SER. DATE & PO# PLT LTR MOD DA3J096N"
 VOLTS 115 HZ 60 AMPS 12.3
 RPM 1050 SP PH1 CAP
 INS CLB AMB 40°C HP1/4 CONT A0 ← ROTATION →
 BRG SLV

ASSEMBLED IN MEXICO

ELECTRICAMENTE DE ACUERDO A
 MUESTRA 0442615B
 CURVE#32425



CARACTERISTICAS DE GEOMETRIA Y SIMBOLOS
 ▧ PLANICIDAD
 - RECTITUD
 < ANGULARIDAD
 ⊥ PERPENDICULARIDAD (A ESCUADRA)
 // PARALELISMO
 ○ REDONDEZ (CIRCULARIDAD)
 ∅ CILINDRICIDAD
 △ PERFIL DE CUALQUIER SUPERFICIE
 ∩ PERFIL DE CUALQUIER LINEA
 ↗ VARIACION
 ⊕ POSICION REAL
 ⊙ CONCENTRICIDAD
 = SIMETRIA

ASME Y14.5M 1994

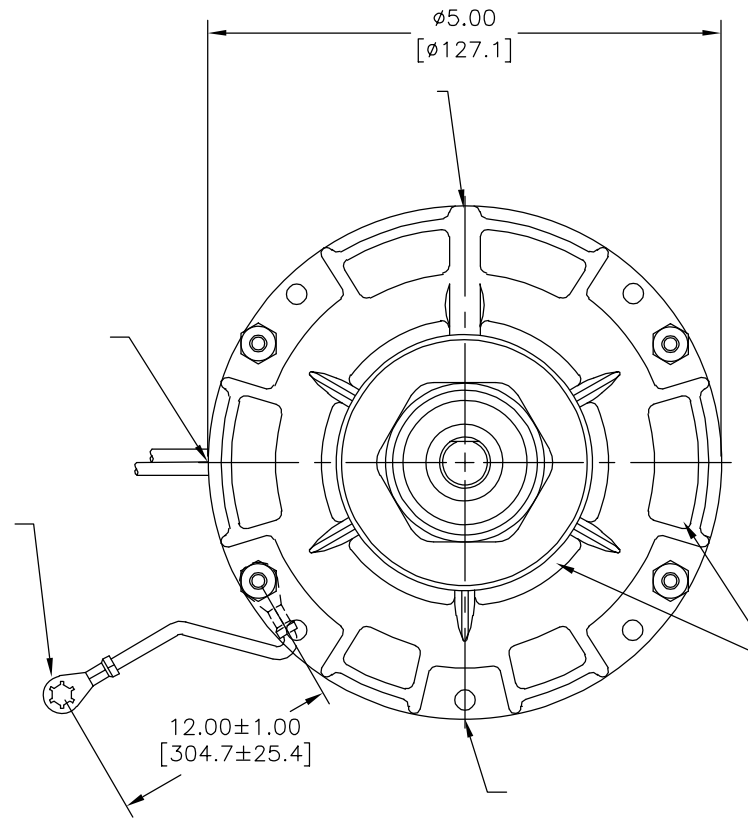
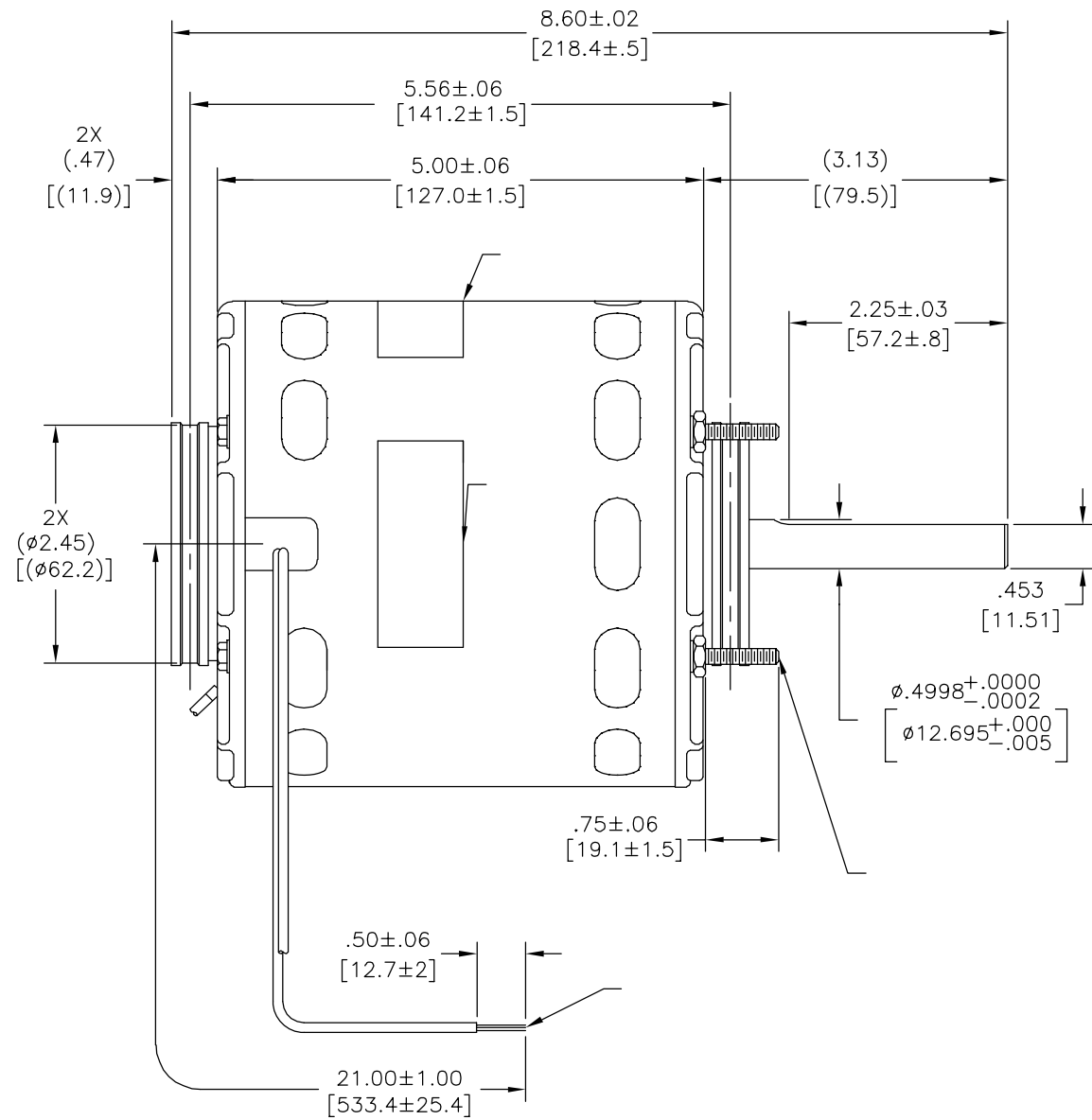
REGAL-BELOIT CORPORATION (RBC)
 PROVEE ASISTENCIA TECNICA A NUESTROS CLIENTES EN VARIAS AREAS. DESDE QUE RBC NO RECIBE TODOS LOS DATOS EN RELACION AL USO Y A LA APLICACION DEL MOTOR, LA APLICACION ADECUADA DEL MOTOR DEBE SER DETERMINADA POR EL CLIENTE.

DIMENSIONES SIN TOLERANCIA SON DE REFERENCIA SOLAMENTE

DIBUJADO POR:	L. BERNAL	10-17-2012
APROBADO POR:	A. BAUGHMAN	10-17-2012
TERCER ANGULO DE PROYECCION	⊕	FECHA EDS: 11-11-2011 REV. FORMATO: H
CONFIDENCIAL: ESTE DIBUJO Y SU INFORMACION SON PROPIEDAD DE USO EXCLUSIVO Y CONFIDENCIAL DE REGAL-BELOIT CORPORATION. Y NO DEBERAN SER REVELADOS, DUPLICADOS, DISTRIBUIDOS O USARSE DE OTRA MANERA SIN EL CONSENTIMIENTO ESCRITO DE REGAL-BELOIT CORPORATION. -TODOS LOS DERECHOS RESERVADOS.		

REGAL REGAL-BELOIT CORPORATION	
DESCRIPCION:	MODEL-RFHP-42FR OUTLINE
TAMAÑO:	C
NUMERO DE DIBUJO:	DA3J7096
ESCALA: NONE	HOJA: 1

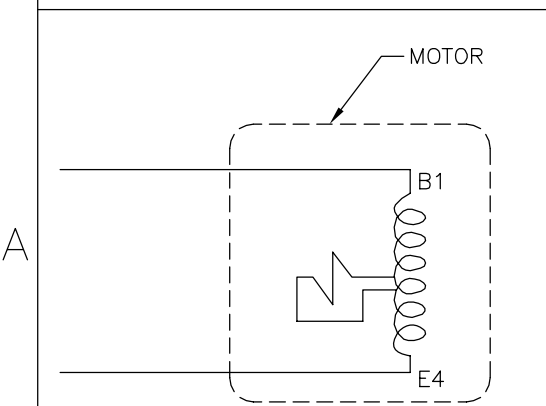
版本	ECO	编制	日期	批准	日期
F	0029017	L. BERNAL	10-17-2012	R. RASCON	10-17-2012



ROT: CCWLE



SER. DATE & PO# PLT LTR MOD DA3J096N"
 VOLTS 115 HZ 60 AMPS 12.3
 RPM 1050 SP PH1 CAP
 INS CLB AMB 40°C HP1/4 CONT A0 ←ROTATION→
 BRG SLV
 ASSEMBLED IN MEXICO



- 形位公差
- 平面度
 - 直线度
 - ∠ 倾斜度
 - ⊥ 垂直度
 - ∥ 平行度
 - 圆度
 - ⊘ 圆柱度
 - ⌒ 面轮廓度
 - △ 线轮廓度
 - ⌒ 圆跳动
 - ⊕ 位置度
 - ⊙ 同轴度
 - ≡ 对称度

ASME Y14.5M 1994

REGAL-BELOIT CORPORATION (RBC) 在个别领域为客户提供技术支持。鉴于RBC未收到任何涉及电机使用和应用环境的数据，电机的适用性由客户自己决定。

未注公差尺寸仅供参考。

绘图: L. BERNAL 10-17-2012

批准: A. BAUGHMAN 10-17-2012

第三角投影 第三角投影符号 图纸格式发布日期 11-11-2011 图纸格式版本 H

机密: 本图纸及相关信息所有权归REGAL-BELOIT CORPORATION。未经REGAL-BELOIT CORPORATION书面授权, 不得泄露、复制、传播或作其他用途。—版权所有

REGAL REGAL-BELOIT CORPORATION

名称 MODEL-RFHP-42FR OUTLINE

图幅 C 图号 DA3J7096

比例 NONE 页号 1