

PRODUCT INFORMATION PACKET



Model No: BLR6404
Catalog No: BLR6404

Fan and Blower Motor, 1/4 HP, 1 Ph, 60 Hz, 115 V, 1050 RPM, 3 Speed, 42 Frame, OAO



Regal and Century are trademarks of Regal Rexnord Corporation or one of its affiliated companies.
©2022 Regal Rexnord Corporation, All Rights Reserved. MC017097E





Nameplate Specifications

Output HP	1/4 Hp	Output KW	0.19 kW
Frequency	60 Hz	Voltage	115 V
Current	8.2 A	Speed	1050 rpm
Service Factor	1	Phase	1
Duty	Air Over	Insulation Class	B
Frame	42Y	Enclosure	Open Air Over
Thermal Protection	Automatic	Ambient Temperature	40 °C
UL	Recognized	CSA	Y
CE	N	Number of Speeds	3

Technical Specifications

Electrical Type	Shaded Pole	Starting Method	Across The Line
Poles	6	Rotation	Counterclockwise Lead End
Mounting	Extended Studs	Motor Orientation	Horizontal
Drive End Bearing	Sleeve	Opp Drive End Bearing	Sleeve
Frame Material	Na	Shaft Type	Flat
Overall Length	8.84 in	Shaft Diameter	0.500 in
Shaft Extension	4.5 in		
Connection Drawing	7559A83F01	Outline Drawing	BLR6404-S01

This is an uncontrolled document once printed or downloaded and is subject to change without notice. Date Created:11/28/2022

GENERAL INFORMATION:

SHAFT RUNOUT: .001 [.03] T.I.R. PER INCH LENGTH OF EXTENSION

END PLAY: .010 [.25] TO .063 [1.60]

BEARINGS: SLEEVE

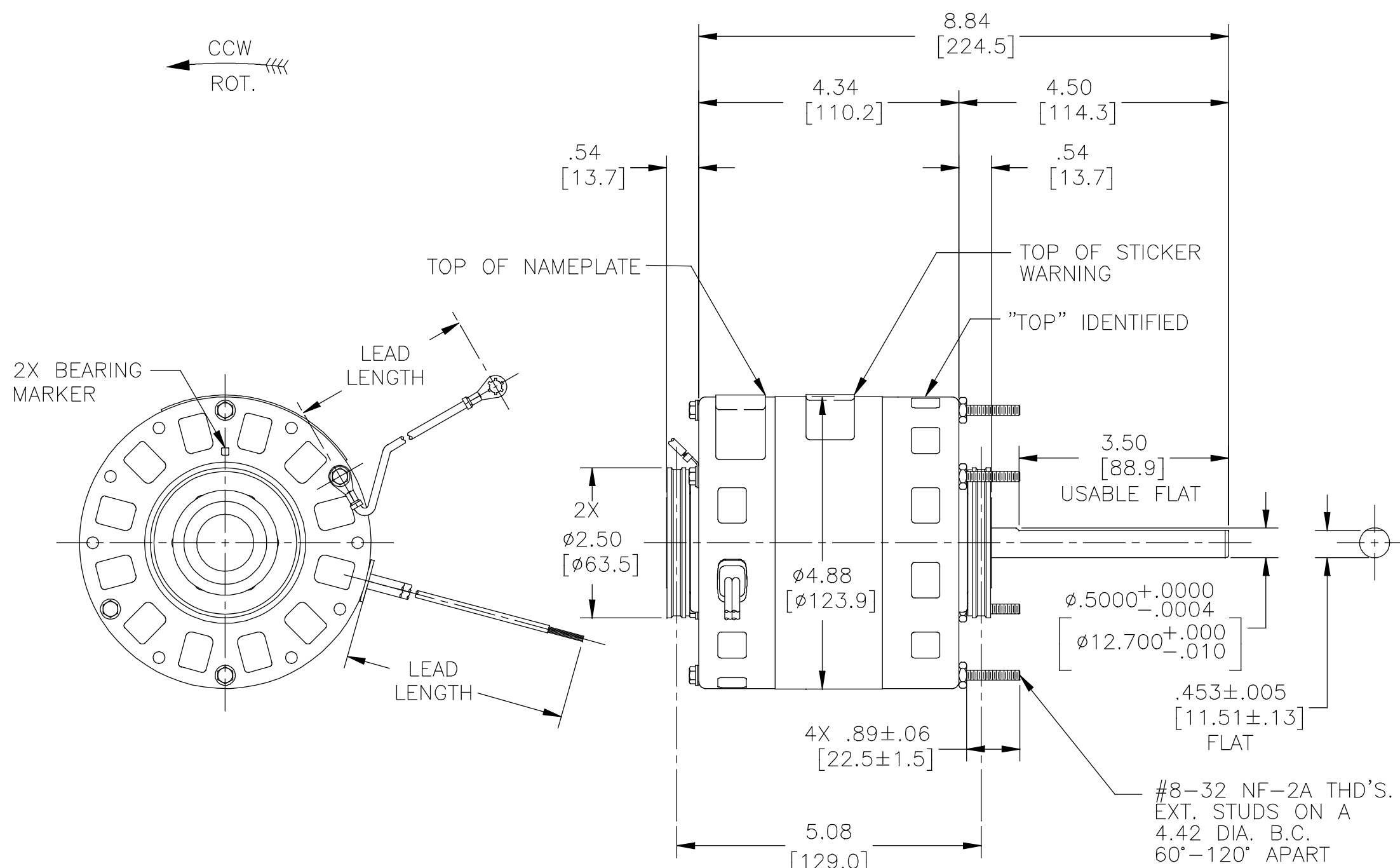
MOUNTING POSITION: HORIZONTAL

ELECTRICAL DATA:

OVERLOAD PROTECTOR: AUTOMATIC RESET (SENSATA 7AM 034)

LEADS: NO. 18 GA., .06 [1.5] THK. 125° C INSUL

GROUND LEAD: NO. 18 GA., .03 [.8] THK. (GREEN/YELLOW) INSUL



COLOR	LENGTH	TERMINAL OR STRIP LENGTH
GREEN/YELLOW (GRD)	11.0/13.0 [279/330]	#10 EYELET
RED	24.5/27.5 [622/699]	.60 [1.5] SKIN
BLUE	24.5/27.5 [622/699]	.60 [1.5] SKIN
BLACK	24.5/27.5 [622/699]	.60 [1.5] SKIN
WHITE	24.5/27.5 [622/699]	.60 [1.5] SKIN

MAIN FRAME - OLE	OPEN
END FRAME - OLE	OPEN
MAIN FRAME - LE	OPEN
END FRAME - LE	OPEN

CUSTOMER	DISTRIBUTION SERVICE

NAMEPLATE DATA:	EXTERNAL CONNECTION DIAGRAM
MODEL NO.: B42A89A01 CUST. P/N: BRL6404 HP: 1/4 ROT.: CCWLE RPM: 1050/3 SPD. TYPE: FE FRAME: 42Y VOLTS: 115 PH: 1 AMPS: 8.2 HZ: 60 INS.: A AMB.: 40° C DUTY: AIR OVER CAP.: - ENCL: - UL LOGO CSA LOGO THERMALLY PROTECTED	

PERFORMANCE CURVE NO.	TORQUE @ 1050 RPM (25°C)	APPROVED SAMPLE	UL COMPONENT FILE #	CCN #	CSA FILE #	CLASS #
C32264	22.3 OZ. FT.	0442688A	E46412	PRGY2	LR43341	4211-01

DRAWING REVISION		
E	REVISION BY J. RUPERT	DATE 03-04-2019
ECO	APPROVED BY J. RUPERT	DATE 03-04-2019
ECO DESCRIPTION ADDED BLACK LEAD		

ENCLOSURE	
DRAWN BY: J. RUPERT	DATE: 08-10-2004
APPROVED BY: G. PIATT	DATE: 08-11-2004
REFERENCE	
THIRD ANGLE PROJECTION	

REGAL ™ Regal Beloit America, Inc.	
DESCRIPTION MODEL-RFHP-42FR OUTLINE	
MATERIAL	PROCESS/FINISH
SIZE DWG NO C	BRL6404
SHEET	1

COPYRIGHT REGAL BELOIT AMERICA, INC. ALL RIGHTS RESERVED. PROPRIETARY AND CONFIDENTIAL INFORMATION - THIS DOCUMENT IS THE PROPERTY OF REGAL BELOIT AMERICA, INC. (OWNER) AND CONTAINS OWNER'S PROPRIETARY INFORMATION. ANY PERSON, CORPORATION OR OTHER FIRM RECEIVING IT IS DEEMED, BY RECEIVING IT, TO AGREE THAT IT, AND/OR ANY PART OF IT, SHALL NOT BE DISCLOSED TO ANY PERSON, CORPORATION OR OTHER ENTITY, DUPLICATED, AND/OR USED, EXCEPT AS EXPRESSLY APPROVED IN WRITING IN ADVANCE BY OWNER. THIS DOCUMENT SHALL BE RETURNED TO OWNER UPON REQUEST. IT MAY BE SUBJECT TO CERTAIN RESTRICTIONS UNDER APPLICABLE EXPORT CONTROL LAWS AND REGULATIONS.