





**Nameplate Specifications**

Output HP	1/15 Hp	Output KW	0.05 kW
Frequency	60 Hz	Voltage	115 V
Current	3.48 A	Speed	1050 rpm
Service Factor	1	Phase	1
Duty	Air Over	Insulation Class	B
Frame	42Y	Enclosure	Semi Enclosed
Thermal Protection	Automatic	Ambient Temperature	40 °C
UL	Recognized	CSA	Y
CE	N	Number of Speeds	2

**Technical Specifications**

Electrical Type	Shaded Pole	Starting Method	Across The Line
Poles	6	Rotation	Counterclockwise Lead End
Mounting	Extended Studs	Motor Orientation	Horizontal
Drive End Bearing	Sleeve	Opp Drive End Bearing	Sleeve
Frame Material	Rolled Steel	Shaft Type	Flat
Overall Length	5.22 in	Shaft Diameter	0.375 in
Shaft Extension	1.9 in		
Outline Drawing	11935-052-S01	Connection Drawing	1022B34F03

This is an uncontrolled document once printed or downloaded and is subject to change without notice. Date Created:11/28/2022

4

3

2

1

REV	ECO	REV BY	DATE	APPD	DATE
F	0026395	A. ESCOBAR	05-25-2012	G. ALVIDREZ	05-25-2012

GENERAL INFORMATION:

SHAFT RUNOUT: .001 [.03] T.I.R. PER INCH LENGTH OF EXTENSION

END PLAY: .010[.25] TO .063[1.60]

BEARINGS: SLEEVE

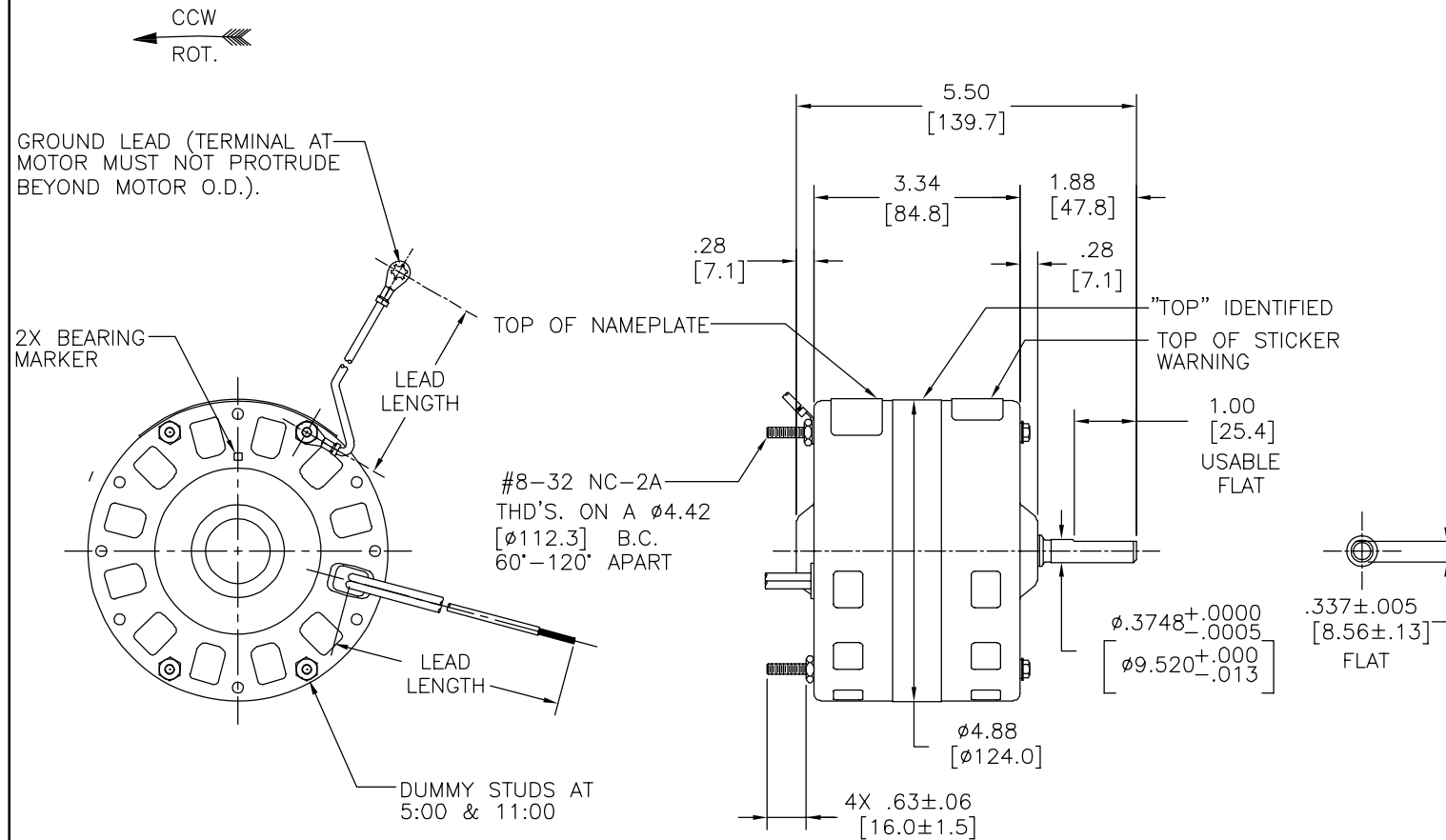
MOUNTING POSITION: HORIZONTAL

ELECTRICAL DATA:

OVERLOAD PROTECTOR: AUTOMATIC RESET (T.I. 7AM 304)

LEADS: NO. 18 GA., .06 [1.5] THK., 125°C INSUL.

GROUND LEAD: NO. 18 GA., .03 [.8] THK. GREEN INSUL.



SEE NOTE 1

NAMEPLATE DATA:	EXTERNAL CONNECTION DIAGRAM
MODEL NO.: B42B04A01 CUST. P/N: HP: 1/15 ROT.: CCWLE RPM: 1050/2 SPD TYPE: FE FRAME: 42Y VOLTS: 115 PH: 1 AMPS: 3.48 HZ: 60 INS.: B AMB.: 40°C DUTY: AIR OVER CAP.: - ENCL: UL LOGO CSA LOGO THERMALLY PROTECTED	RED —●— BLK —●— WHT —●— LINE

GREEN- (GRD)	11.0/13.0 [279/330]	#10 EYELET
RED	20.0/22.0 [508/559]	.50 [12.7]
BLACK	20.0/22.0 [508/559]	.50 [12.7]
WHITE	20.0/22.0 [508/559]	.50 [12.7]
COLOR	LENGTH	TERMINAL OR STRIP LENGTH

NOTE:  
1. DISTRIBUTION PART NUMBER: BLR6405  
GRAINGER PART NUMBER: 4UU92

MAIN FRAME - OLE	SEMI-ENCL
END FRAME - OLE	OPEN
MAIN FRAME - LE	SEMI-ENCL
END FRAME - LE	OPEN

CUSTOMER	DISTRIBUTION SERVICE
----------	----------------------

PERFORMANCE CURVE NO.	TORQUE @ 1075 RPM (25°C)	APPROVED SAMPLE	UL COMPONENT	CSA
C32402	7.1 OZ. FT.	0444644C	E46412 PRGY2	LR43341 4211-01

GEOMETRIC CHARACTERISTICS & SYMBOLS

- ▮ FLATNESS
- STRAIGHTNESS
- ∠ ANGULARITY
- ⊥ PERPENDICULARITY (SQUARENESS)
- ∥ PARALLELISM
- ROUNDNESS (CIRCULARITY)
- ⊘ CYLINDRICITY
- △ PROFILE OF ANY SURFACE
- ∩ PROFILE OF ANY LINE
- ↗ RUNOUT
- ⊕ TRUE POSITION
- ◎ CONCENTRICITY
- ≡ SYMMETRY

ASME Y14.5M 1994

REGAL-BELOIT CORPORATION (RBC) PROVIDES TECHNICAL ASSISTANCE TO OUR CUSTOMERS IN SEVERAL AREAS. SINCE RBC DOES NOT RECEIVE ALL DATA CONCERNING THE USE AND APPLICATION OF THE MOTOR, THE SUITABILITY OF THE MOTOR FOR THE APPLICATION MUST BE DETERMINED BY THE CUSTOMER.

DIMENSIONS WITHOUT TOLERANCES ARE FOR REFERENCE ONLY.

DR BY:	GORDON	1101-2004
APPD:	PIATT	11-01-2004
THIRD ANGLE PROJECTION	⊕	EDS DATE 11-11-2011 FORMAT REV H
CONFIDENTIAL: THIS DRAWING AND ITS INFORMATION ARE THE EXCLUSIVE AND CONFIDENTIAL PROPERTY OF REGAL-BELOIT CORPORATION AND ARE NOT TO BE DISCLOSED, DUPLICATED, DISTRIBUTED OR OTHERWISE USED WITHOUT THE WRITTEN CONSENT OF REGAL-BELOIT CORPORATION. -ALL RIGHTS RESERVED.		

<b>REGAL</b> REGAL-BELOIT CORPORATION	
DESCRIPTION	
MODEL-RFHP-42FR OUTLINE	
SIZE	C
DWG NO	11935-052
SCALE	NONE
SHEET 1	

4

3

2

1

4

3

2

1

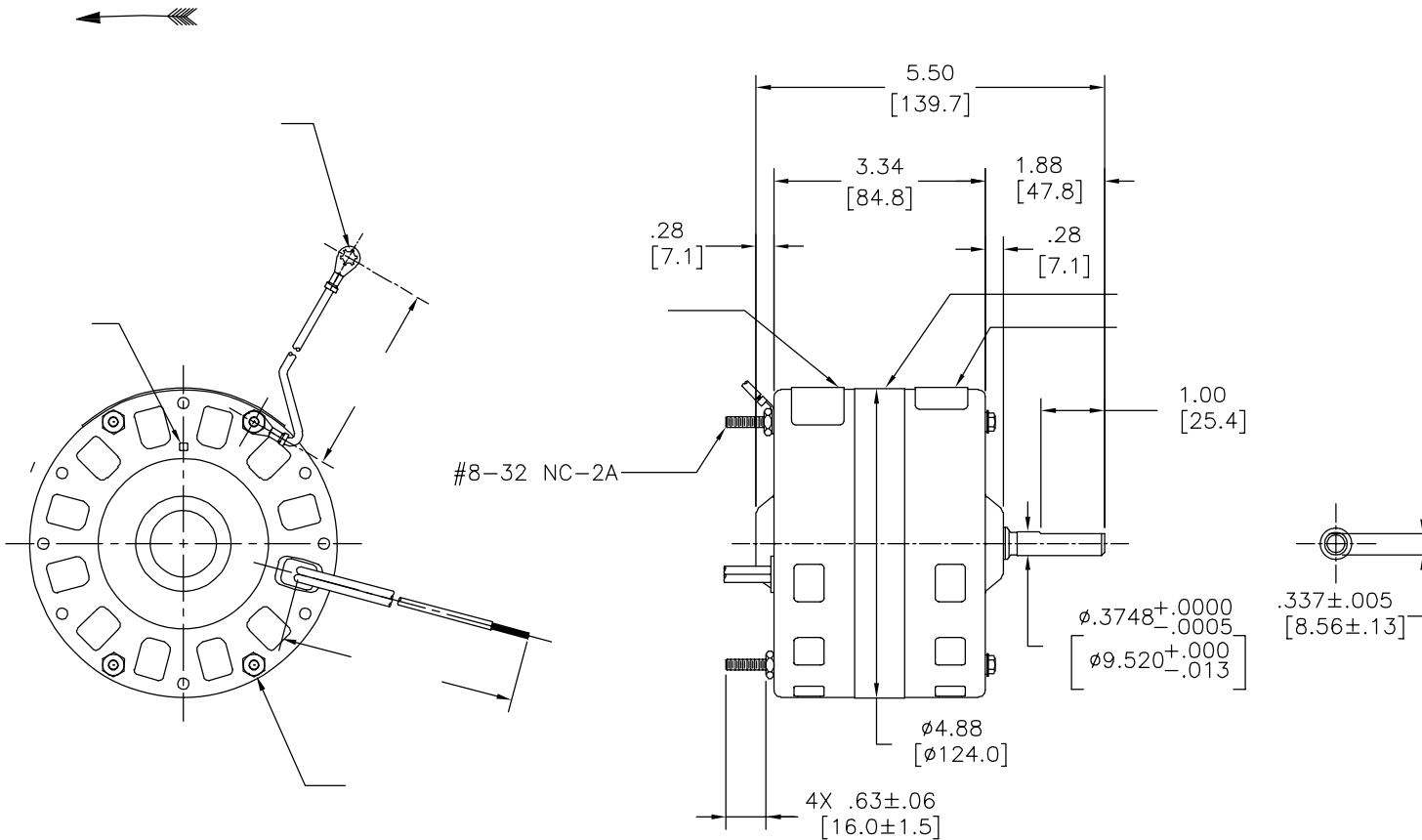
REVISION:	ECO	REVISADO POR:	FECHA:	APROBADO POR:	FECHA:
F	0026395	A. ESCOBAR	05-25-2012	G. ALVIDREZ	05-25-2012

INFORMACION GENERAL:

- OSCILACION DE FLECHA: -
- JUEGO AXIAL: -
- BALEROS: -
- POSICION DEL MONTAJE: -

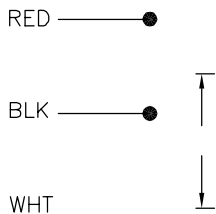
INFORMACION ELECTRICA:

- PROTECTOR DE SOBRECARGA: -
- CABLES: -
- CABLE DE TIERRA: -



INFORMACION DE ETIQUETA:      DIAGRAMA DE CONEXION EXTRNA

MODEL NO.: B42B04A01  
 CUST. P/N:  
 HP: 1/15  
 ROT.: CCWLE  
 RPM: 1050/2 SPD  
 TYPE: FE  
 FRAME: 42Y  
 VOLTS: 115  
 PH: 1  
 AMPS: 3.48  
 HZ: 60  
 INS.: B  
 AMB.: 40°C  
 DUTY: AIR OVER  
 CAP.: -  
 ENCL:  
 UL LOGO  
 CSA LOGO  
 THERMALLY PROTECTED



-	11.0/13.0 [279/330]	-
-	20.0/22.0 [508/559]	.50 [12:7]
-	20.0/22.0 [508/559]	.50 [12:7]
-	20.0/22.0 [508/559]	.50 [12:7]

CARCASA - LOC	-
TAPA - LOC	-
CARCASA - LC	-
TAPA - LC	-

CLIENTE	DISTRIBUTION SERVICE
---------	----------------------

CURVAS DE FUNCIONAMIENTO	TORSION @ RPM (25°C)	MUESTRA APROBADA	COMPONENTE UL	CSA
C32402	7.1 OZ. FT.	0444644C	#ARCHIVO    CCN #    #ARCHIVO    CLASE #	LR43341    4211-01

COLOR	LONGITUD	TERMINAL O LONGITUD DE DESFORRE
-------	----------	---------------------------------

CARACTERISTICAS DE GEOMETRIA Y SIMBOLOS  
 ▽ PLANICIDAD  
 - RECTITUD  
 < ANGULARIDAD  
 ⊥ PERPENDICULARIDAD (A ESCUADRA)  
 // PARALELISMO  
 ○ REDONDEZ (CIRCULARIDAD)  
 ∅ CILINDRICIDAD  
 △ PERFIL DE CUALQUIER SUPERFICIE  
 ∩ PERFIL DE CUALQUIER LINEA  
 ↗ VARIACION  
 ⊕ POSICION REAL  
 ⊙ CONCENTRICIDAD  
 = SIMETRIA  
 ASME Y14.5M 1994

REGAL-BELOIT CORPORATION (RBC) PROVEE ASISTENCIA TECNICA A NUESTROS CLIENTES EN VARIAS AREAS, DESDE QUE RBC NO RECIBE TODOS LOS DATOS EN RELACION AL USO Y A LA APLICACION DEL MOTOR, LA APLICACION ADECUADA DEL MOTOR DEBE SER DETERMINADA POR EL CLIENTE.  
 DIMENSIONES SIN TOLERANCIA SON DE REFERENCIA SOLAMENTE

DIBUJADO POR: GORDON 1101-2004  
 APROBADO POR: PIATT 11-01-2004  
 TERCER ANGULO DE PROYECCION  
 FECHA EDS: 11-11-2011  
 REV. FORMATO: H  
 CONFIDENCIAL: ESTE DIBUJO Y SU INFORMACION SON PROPIEDAD DE USO EXCLUSIVO Y CONFIDENCIAL DE REGAL-BELOIT CORPORATION. Y NO DEBERAN SER REVELADOS, DUPLICADOS, DISTRIBUIDOS O USARSE DE OTRA MANERA SIN EL CONSENTIMIENTO ESCRITO DE REGAL-BELOIT CORPORATION. -TODOS LOS DERECHOS RESERVADOS.

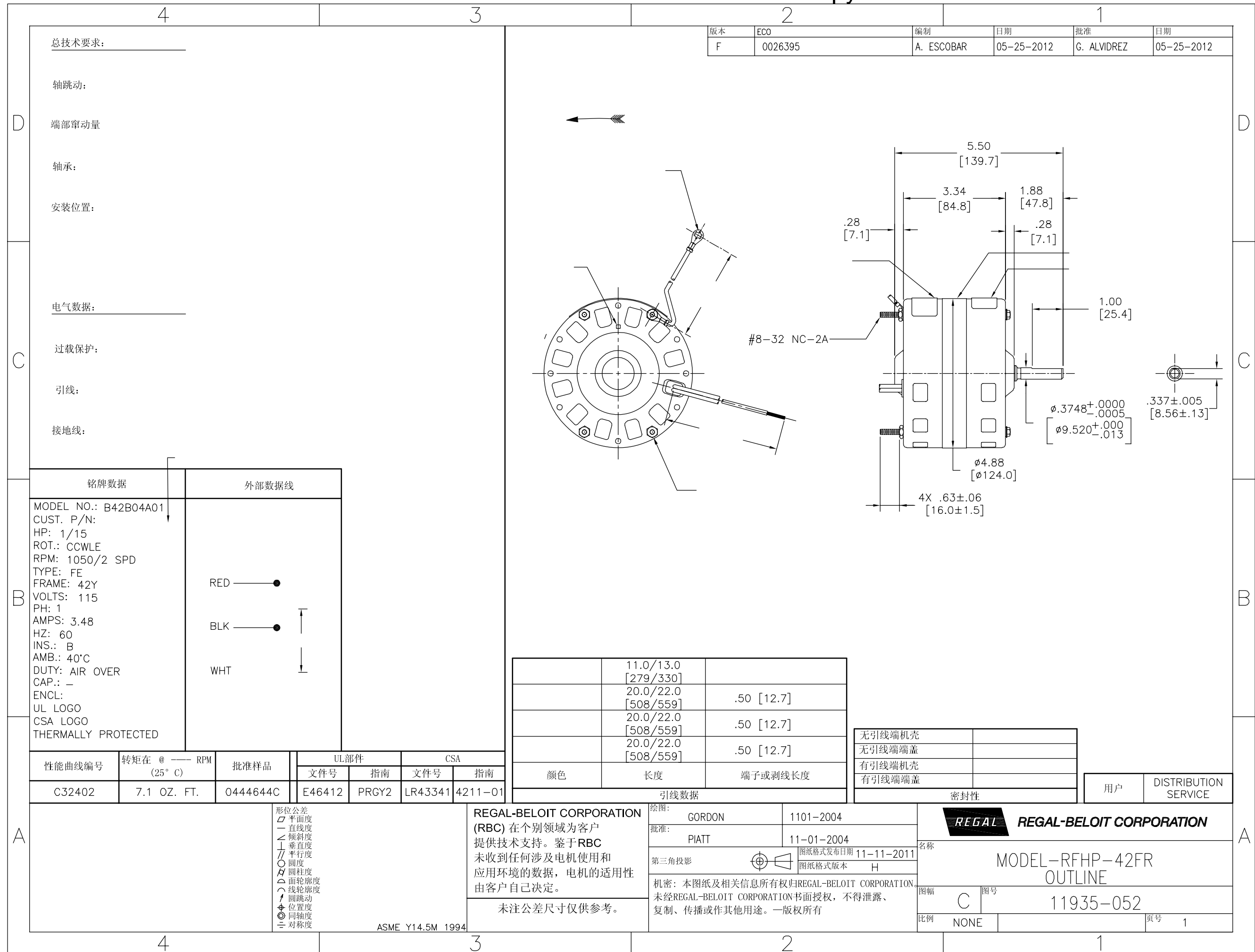
**REGAL REGAL-BELOIT CORPORATION**  
 DESCRIPCION: MODEL-RFHP-42FR OUTLINE  
 TAMAÑO: C    NUMERO DE DIBUJO: 11935-052  
 ESCALA: NONE    HOJA: 1

4

3

2

1



版本	ECO	编制	日期	批准	日期
F	0026395	A. ESCOBAR	05-25-2012	G. ALVIDREZ	05-25-2012

总技术要求: \_\_\_\_\_

轴跳动: \_\_\_\_\_

端部窜动量: \_\_\_\_\_

轴承: \_\_\_\_\_

安装位置: \_\_\_\_\_

电气数据: \_\_\_\_\_

过载保护: \_\_\_\_\_

引线: \_\_\_\_\_

接地线: \_\_\_\_\_

铭牌数据	外部数据线
MODEL NO.: B42B04A01 CUST. P/N: HP: 1/15 ROT.: CCWLE RPM: 1050/2 SPD TYPE: FE FRAME: 42Y VOLTS: 115 PH: 1 AMPS: 3.48 HZ: 60 INS.: B AMB.: 40°C DUTY: AIR OVER CAP.: - ENCL: UL LOGO CSA LOGO THERMALLY PROTECTED	RED —●— BLK —●— WHT —●—

颜色	长度	端子或剥线长度
	11.0/13.0 [279/330]	
	20.0/22.0 [508/559]	.50 [12.7]
	20.0/22.0 [508/559]	.50 [12.7]
	20.0/22.0 [508/559]	.50 [12.7]

无引线端机壳	
无引线端端盖	
有引线端机壳	
有引线端端盖	

用户	DISTRIBUTION SERVICE
----	----------------------

性能曲线编号	转矩在 @ — RPM (25° C)	批准样品	UL部件		CSA	
			文件号	指南	文件号	指南
C32402	7.1 OZ. FT.	0444644C	E46412	PRGY2	LR43341	4211-01

形位公差 □ 平面度 — 直线度 < 倾斜度 ⊥ 垂直度 // 平行度 ○ 圆度 ⊙ 圆柱度 △ 面轮廓度 ⊖ 线轮廓度 ↗ 圆跳动 ⊕ 位置度 ⊙ 同轴度 ≡ 对称度	ASME Y14.5M 1994
-----------------------------------------------------------------------------------------------------------------------------	------------------

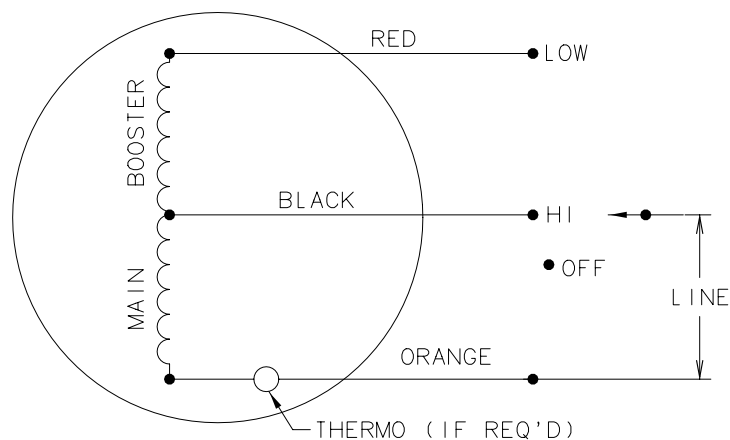
REGAL-BELOIT CORPORATION (RBC) 在个别领域为客户提供技术支持。鉴于RBC未收到任何涉及电机使用和应用环境的数据，电机的适用性由客户自己决定。

未注公差尺寸仅供参考。

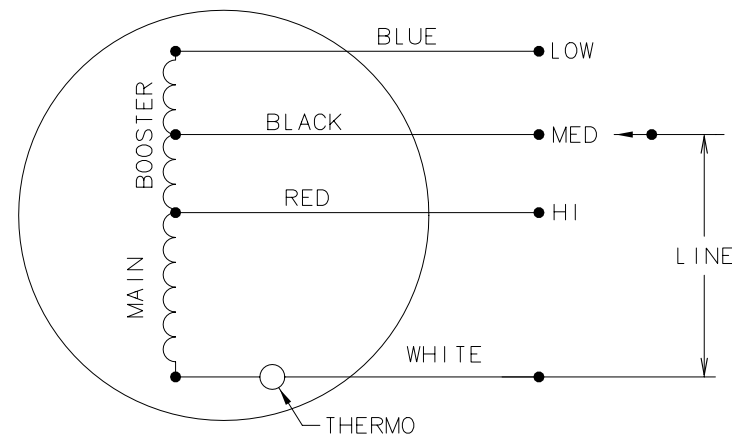
绘图:	GORDON	1101-2004
批准:	PIATT	11-01-2004
第三角投影		图纸格式发布日期 11-11-2011 图纸格式版本 H
机密: 本图纸及相关信息所有权归REGAL-BELOIT CORPORATION。未经REGAL-BELOIT CORPORATION书面授权, 不得泄露、复制、传播或作其他用途。—版权所有		

<b>REGAL-BELOIT CORPORATION</b>	
名称	MODEL-RFHP-42FR OUTLINE
图幅	C
图号	11935-052
比例	NONE
页号	1

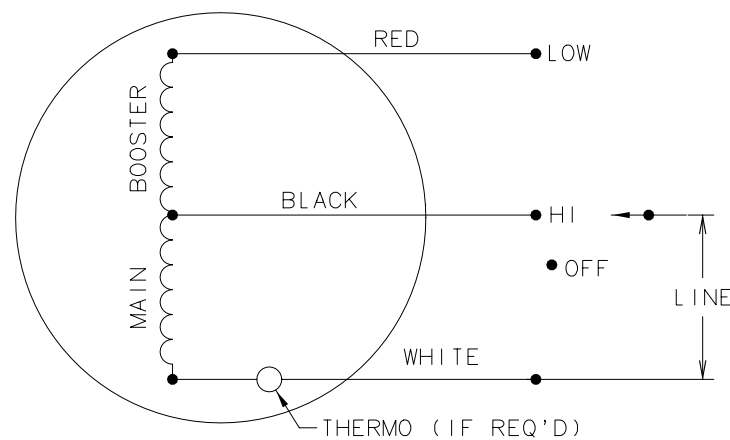
1022B34



2 SPEED, FIG. 1



3 SPEED, FIG. 2



2 SPEED, FIG. 3

QUALITY CONTROL NOTE:  
TO CHECK THE WDGS. FOR OPENS, VERIFY  
THE CONTINUITY AS FOLLOWS:

FIG. 1--BETWEEN THE RED & ORANGE LEADS

FIG. 2--BETWEEN THE WHITE & BLUE LEADS

FIG. 3--BETWEEN THE RED & WHITE LEADS

DATE	CHANGED FROM	APPROVED ENG/DRF	NOTICE	DATE	CHANGED FROM	APPROVED ENG/DRF	NOTICE	GEOMETRIC CHARACTERISTICS & SYMBOLS	UNLESS OTHERWISE SPECIFIED DIMENSION TOLERANCES ARE AS FOLLOWS	MATERIAL	DRAWN	STOKES 06/23/81	A DIVISION OF A.O. SMITH CORPORATION ELECTRICAL PRODUCTS COMPANY TIPP CITY, OHIO COPYRIGHT 1995
				07/09/03	REDRAWN TO CAD	KAKKAG	0343946	□ FLATNESS — STRAIGHTNESS < ANGULARITY ⊥ PERPENDICULARITY (SQUARENESS) // PARALLELISM ○ ROUNDNESS (CIRCULARITY) ∅ CYLINDRICITY ⊖ PROFILE OF ANY SURFACE ⊕ PROFILE OF ANY LINE ∞ RUNOUT ⊕ TRUE POSITION ⊙ CONCENTRICITY = SYMMETRY	INCHES .XX ±.02 .XXX ±.005 METRIC ±.5 ±.13 ANGLES ±.50 DEG REMOVE BURRS AND BREAK SHARP EDGES .003-.015 CORNER FILLETS TO .020 MACHINE SURFACES 125 ✓	-	APPROVED	CORBIN 60/30/81	
										PROCESS	REFERENCE	-	CONN. DIAGRAM SIZE <b>B</b> PART NUMBER 1022B34
									CONFIDENTIAL: THIS DRAWING AND ITS INFORMATION ARE THE EXCLUSIVE AND CONFIDENTIAL PROPERTY OF A.O. SMITH CORP. AND ARE NOT TO BE DISCLOSED, DUPLICATED, DISTRIBUTED OR OTHERWISE USED WITHOUT THE WRITTEN CONSENT OF A.O. SMITH CORP. - ALL RIGHTS RESERVED		APPLICATION	-	USER/FILIER42/CONEXT SCALE - NOTICE - SHEET 1