

# PRODUCT INFORMATION PACKET



Model No: BN24V1  
Catalog No: BN24V1  
Pool Pump Motor, .75 HP, 1 Ph, 60 Hz, 115 V, 3600 RPM, 48Y Frame, ODP



Regal and Century are trademarks of Regal Rexnord Corporation or one of its affiliated companies.  
©2022 Regal Rexnord Corporation, All Rights Reserved. MC017097E





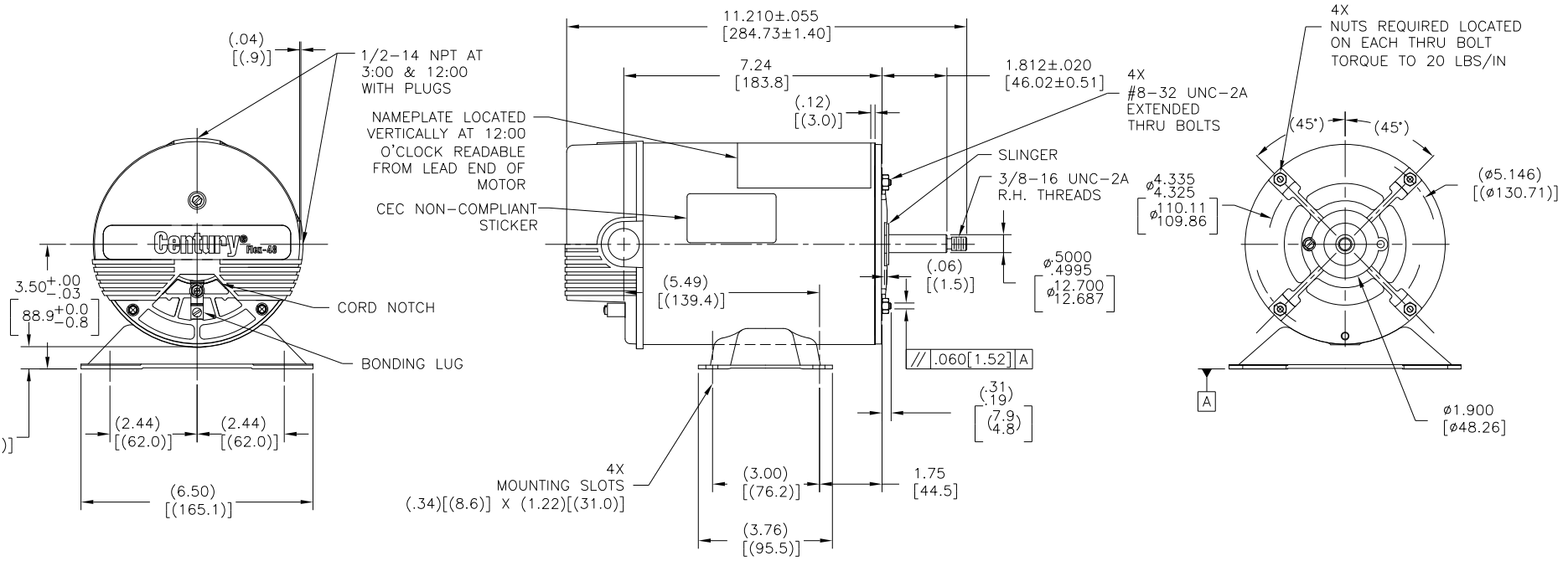
**Nameplate Specifications**

Output HP	.75 Hp	Output KW	0.56 kW
Frequency	60 Hz	Voltage	115 V
Current	9.4 A	Speed	3450 rpm
Service Factor	1	Phase	1
Duty	Continuous	Insulation Class	B
Frame	48Y	Enclosure	Open Drip Proof
Thermal Protection	Thermally Protected	Ambient Temperature	50 °C
UL	Recognized	CSA	Y
Number of Speeds	1		

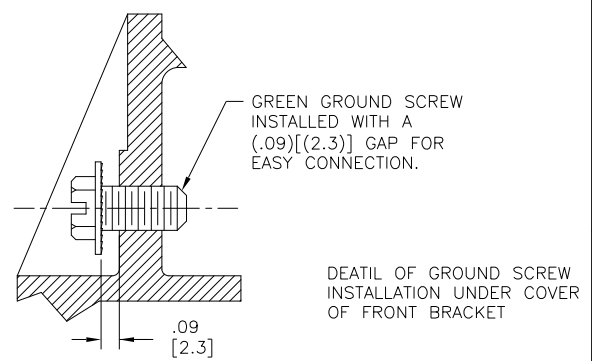
**Technical Specifications**

Electrical Type	Split Phase, Induction Run, Single Or Dual Voltage	Poles	2
Rotation	Counterclockwise Pump End	Mounting	Thru Bolt
Motor Orientation	Horizontal	Drive End Bearing	Ball
Opp Drive End Bearing	Ball	Frame Material	Rolled Steel
Shaft Type	3/8 THREADS	Overall Length	11.21 in
Frame Length	6.50 in	Shaft Diameter	0.500 in
Shaft Extension	2.372 in		
Outline Drawing	BN24V1-S01	Connection Drawing	D0000072-001

This is an uncontrolled document once printed or downloaded and is subject to change without notice. Date Created:11/28/2022



NAMEPLATE DATA	EXTERNAL CONNECTION DIAGRAM	NOTES
MODEL: S48AA10A01 CUST PN: BN24V1 HP: .75 SF: 1.0 ROT: CCWPE RPM: 3450 TYPE: SP FORM: CODE: M FRAME: 48Y VOLTS: 115 AMPS: 9.4 MAX AMPS: SF AMPS: PH: 1 HZ: 60 INS: B AMB: 50° DUTY: CONT ENCLOSURE: ODP THERMALLY PROTECTED		<ol style="list-style-type: none"> <li>LEAD END FRAME TO BE ORIENTED TO DRIVE END FRAME TO WITHIN <math>\pm 2^\circ</math>.</li> <li>ALL DIMENSIONS SHOWN IN PARENTHESIS ARE REFERENCE DIMENSIONS.</li> <li>CTQ REQUIREMENT SEE EP000105-008</li> <li>RoHS &amp; REACH REQUIREMENT SEE EP000014.</li> </ol>



PERFORMANCE CURVE	APPROVED SAMPLE		
S48J2W44	0801389		
UL COMPONENT	CSA		
FILE#	CCN#	FILE#	GUIDE#
PENDING	PENDING	PENDING	PENDING
CUSTOMER	DISTRIBUTION		

CRITICAL TO QUALITY CHARACTERISTICS (CTOs)	DRAWING REVISION	REVISION BY	DATE	TOLERANCES UNLESS OTHERWISE SPECIFIED	DRAWN BY:	DATE:	REGAL BELLOIT AMERICA, INC.
(P) PROCESS	L	HAIXIA ZHANG	04-09-2022	DEC. INCH mm ANGLE	J. HENRY		Regal Beloit America, Inc.
(E) ENGINEERING	ECO	APPROVED BY	04-09-2022	.X ±0.02 [±0.5]			DESCRIPTION
(A) APPLICATION	SEE ECR	TRISTA ZHAO		.XXX ±0.005 [±0.13]			MODEL-PFHP-48FR
(R) REGULATORY				REMOVE BURRS & BREAK SHARP EDGES .003/015 [08.38]			OUTLINE
(L) LIFE				MACHINED SURFACES .129 INCH mm 32			PROCESS/FINISH
				mm SHOWN IN [BRACKETS]			
					THIRD ANGLE PROJECTION		SIZE DWG NO
							BN24V1
							SHEET 1

4

3

2

1

REV	ECO	REV BY	DATE	APPD	DATE
D	0021669	P.ZHU	07-18-2011	B.SHEN	07-18-2011

D

D

C

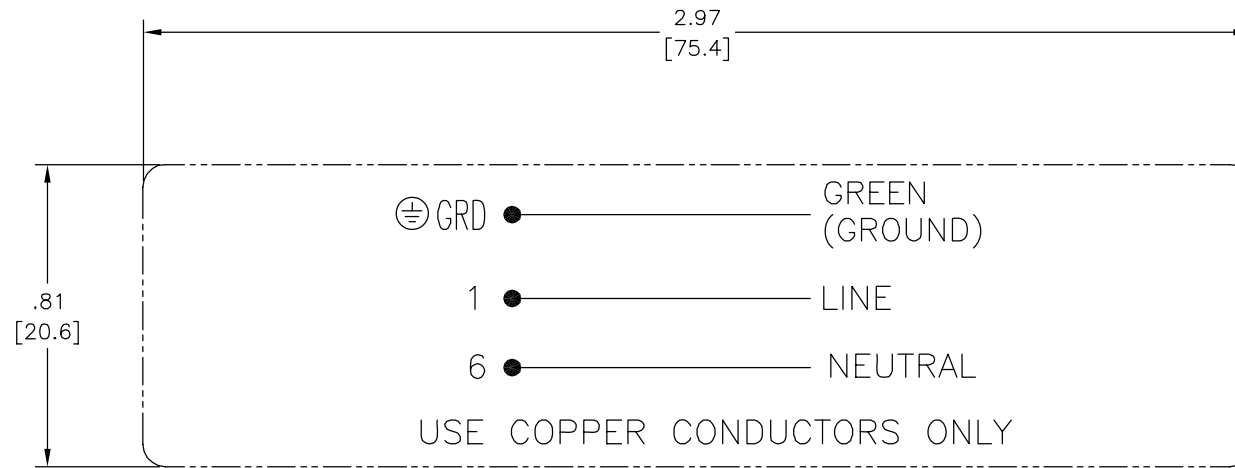
C

B

B

A

A



115 VOLT SINGLE SPEED

NOTE:

1. FOR USE WITH 616231 NAMEPLATE BLANK.
2. - - - - - INDICATES DIMENSIONAL LIMITS.
3. DIE MUST PRODUCE A LEGIBLE IMPRESSION.

GEOMETRIC CHARACTERISTICS & SYMBOLS

- ▭ FLATNESS
- STRAIGHTNESS
- ∠ ANGULARITY
- ⊥ PERPENDICULARITY (SQUARENESS)
- // PARALLELISM
- ROUNDNESS (CIRCULARITY)
- ⊘ CYLINDRICITY
- △ PROFILE OF ANY SURFACE
- ⌒ PROFILE OF ANY LINE
- ⌒ RUNOUT
- ⊕ TRUE POSITION
- ◎ CONCENTRICITY
- ≡ SYMMETRY

UNLESS OTHERWISE SPECIFIED  
DIM. TOLERANCES ARE AS FOLLOWS:

	X	XX	XXX	XXXX
INCH	±.1	±.02	±.005	±.0005
mm	±0.5	±0.13	±0.013	

ANG. ±.50 DEG  
REMOVE BURRS & BREAK SHARP EDGES:  
INCH .003-.015 mm 0.1-0.4  
CORNER FILLETS TO:  
INCH .020 mm 0.5  
MACHINE SURFACES:  
INCH 125 mm 3.2  
METRIC DIMS. SHOWN IN [BRACKETS]

DR BY:	K.PALOMO	02-07-2011
APPD:	D.MUNOZ	02-07-2011
THIRD ANGLE PROJECTION		EDS DATE 02-22-2008 FORMAT REV F
CONFIDENTIAL: THIS DRAWING AND ITS INFORMATION ARE THE EXCLUSIVE AND CONFIDENTIAL PROPERTY OF A.O. SMITH CORP. AND ARE NOT TO BE DISCLOSED, DUPLICATED, DISTRIBUTED OR OTHERWISE USED WITHOUT THE WRITTEN CONSENT OF A.O. SMITH CORP. -ALL RIGHTS RESERVED. ASME Y14.5M 1994		

		<b>ELECTRICAL PRODUCTS COMPANY</b> <small>A DIVISION OF A. O. SMITH CORPORATION</small>	
DESCRIPTION CONNECTION DIAGRAM			
SIZE C	DWG NO D0000072-001		
SCALE NONE			SHEET 1

4

3

2

1

4

3

2

1

REVISION:	ECO	REVISADO POR:	FECHA:	APROBADO POR:	FECHA:
D	0021669	P.ZHU	07-18-2011	B.SHEN	07-18-2011

D

D

C

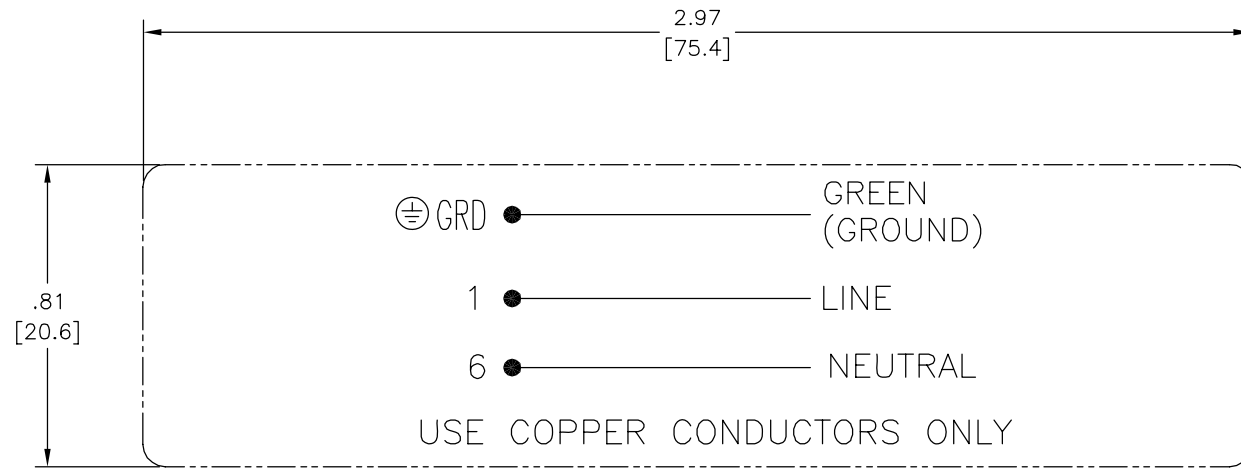
C

B

B

A

A



VELOCIDAD UNICA 115 VOLT

NOTA:

1. PARA USAR CON PLACA DE DATOS EN BLANCO 616231
2. - - - - - INDICA LOS LIMITES DIMENSIONALES.
3. EL DADO DEBE PRODUCIR UNA IMPRESION DIE LEGIBLE.

CARACTERISTICAS DE GEOMETRIA Y SIMBOLOS ▽ PLANICIDAD — RECTITUD < ANGULARIDAD ⊥ PERPENDICULARIDAD (A ESCUADRA) // PARALELISMO ○ REDONDEZ (CIRCULARIDAD) ∅ CILINDRICIDAD △ PERFIL DE CUALQUIER SUPERFICIE ∩ PERFIL DE CUALQUIER LINEA / VARIACION ⊕ POSICION REAL ⊙ CONCENTRICIDAD = SIMETRIA	A MENOS QUE SE ESPECIFIQUE DE OTRA MANERA, LAS TOLERANCIAS DE LAS DIMS; SON LAS SIGUIENTES: PULG X XX XXX XXXX mm ±0.5 ±0.13 ±0.013	DIBUJADO POR: K.PALOMO 02-07-2011	ELECTRICAL PRODUCTS COMPANY A DIVISION OF A. O. SMITH CORPORATION
	PULG ±.1 ±.02 ±.005 ±.0005 mm ±0.5 ±0.13 ±0.013 ANG. ±.50 GRADOS ELIMINAR REBABAS Y ORILLAS FILOSAS DEL BORDE. PULG .003-.015 mm 0.1-0.4 FILETEAR ESQUINA: PULG .020 mm 0.5 MAQUINAR SUPERFICIES PULG 125 mm 3.2	APROBADO POR: D.MUNOZ 02-07-2011	
	DIMS METRICAS MOSTRADAS [PARENTESIS]	TERCER ANGULO DE PROYECCION CONFIDENCIAL: ESTE DIBUJO Y SU INFORMACION SON PROPIEDAD DE USO EXCLUSIVO Y CONFIDENCIAL DE A.O.SMITH CORP. Y NO DEBERAN SER REVELADOS, DUPLICADOS, DISTRIBUIDOS O USARSE DE OTRA MANERA SIN EL CONSENTIMIENTO ESCRITO DE A.O. SMITH CORP. -TODOS LOS DERECHOS RESERVADOS.ASME Y14.5M 1994	TAMAÑO: C NUMERO DE DIBUJO: D0000072-001
			ESCALA: NONE HOJA: 1

4

3

2

1

4

3

2

1

版本	ECO	编制	日期	批准	日期
D	0021669	P.ZHU	07-18-2011	B.SHEN	07-18-2011

D

D

C

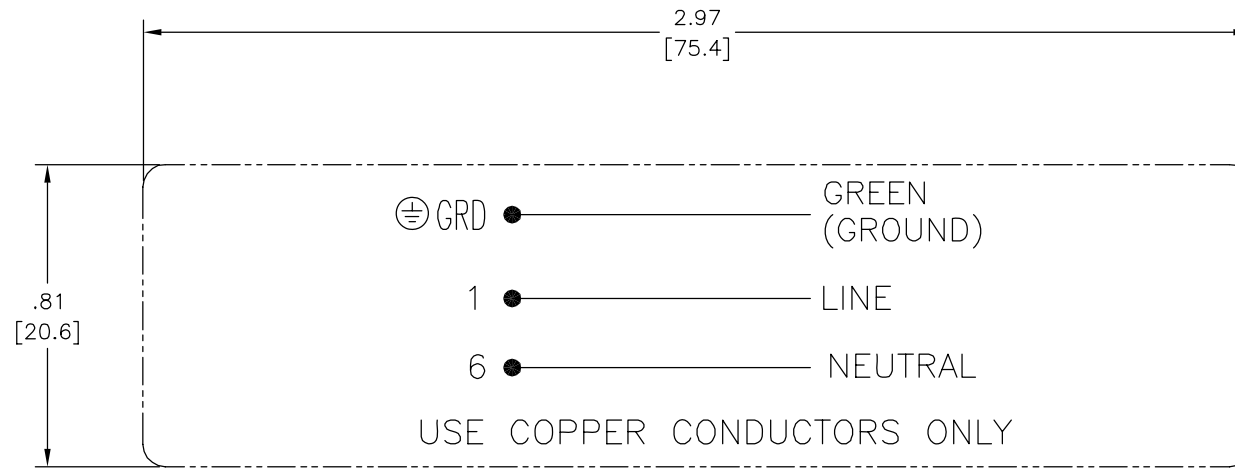
C

B

B

A

A



形位公差	除另有注明
□ 平面度	尺寸公差如下:
— 直线度	英寸 X XX XXX XXXX
∠ 倾斜度	毫米 ±.1 ±.02 ±.005 ±.0005
⊥ 垂直度	毫米 ±0.5 ±0.13 ±0.013
∥ 平行度	角度 ±.50 度
○ 圆度	清理毛刺和尖棱
⊙ 圆柱度	英寸 .003-.015 毫米 0.1-0.4
⊖ 内圆角	英寸 .020 毫米 0.5
⌒ 面轮廓度	表面粗糙度
— 线轮廓度	英制 125 米制 3.2
⊕ 圆跳动	米制尺寸显示在 [ ]
⊕ 位置度	
⊕ 同轴度	
≡ 对称度	

绘图:	K.PALOMO	02-07-2011
批准:	D.MUNOZ	02-07-2011
第三角投影		图纸格式发布日期 02-22-2008 图纸格式版本 F
机密: 本图纸及相关信息所有权归A. O. SMITH公司所有。未经A. O. SMITH公司书面授权, 不得泄露、复制、传播或作其他用途。一版权所有		
ASME Y14.5M 1994		

		<b>ELECTRICAL PRODUCTS COMPANY</b> <small>A DIVISION OF A. O. SMITH CORPORATION</small>
名称 CONNECTION DIAGRAM		
图号	C	图号 D0000072-001
比例	NONE	页号 1

4

3

2

1