

# PRODUCT INFORMATION PACKET



Model No: C043A  
Catalog No: C043A  
Direct Drive Fan Motor, 1/3 HP, 1 Ph, 60 Hz, 115/230 V, 48Z Frame, TEAO



Regal and Century are trademarks of Regal Rexnord Corporation or one of its affiliated companies.  
©2025 Regal Rexnord Corporation, All Rights Reserved. MC017097E





**Nameplate Specifications**

Phase	1	Output HP	1/3 Hp
Output KW	0.25 kW	Voltage	115/230 V
Speed	1725 rpm	Service Factor	1
Frame	48Z	Enclosure	Totally Enclosed Air Over
Thermal Protection	Automatic	Ambient Temperature	40 °C
Frequency	60 Hz	Current	3.6/1.8 A
Duty	Air Over	Insulation Class	B
UL	Recognized	CSA	Y
CE	N	Number of Speeds	1

**Technical Specifications**

Electrical Type	Permanent Split Capacitor	Starting Method	Across The Line
Poles	4	Rotation	Reversible
Mounting	Resilient Base	Drive End Bearing	Ball
Opp Drive End Bearing	Ball	Frame Material	Rolled Steel
Shaft Type	Flat	Overall Length	10.09 in
Frame Length	6.00 in	Shaft Diameter	0.500 in
Shaft Extension	3.14 in		
Connection Drawing	614131-342	Outline Drawing	F48Y34A01-S01

This is an uncontrolled document once printed or downloaded and is subject to change without notice. Date Created:07/25/2025

GENERAL INFORMATION:

SHAFT RUNOUT: .001 [.03] T.I.R. PER INCH LENGTH OF EXTENSION

BEARINGS: BALL

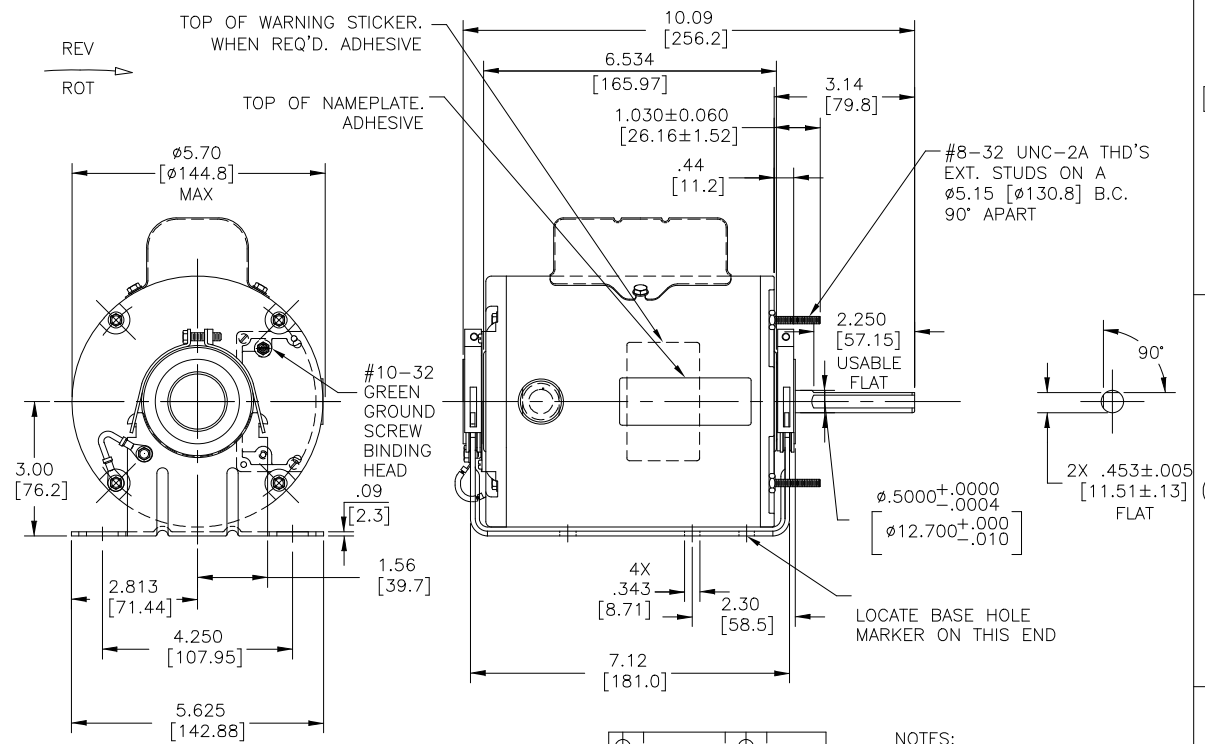
MOUNTING POSITION: ALL ANGLE

ELECTRICAL DATA:

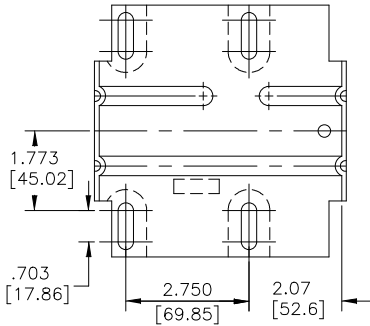
OVERLOAD PROTECTOR: AUTOMATIC RESET (SENSATA 7AM 036)

LEADS: NO. 18 GA., .03[.8] THK. XLP 125°C INSUL.

GROUND LEAD: NO. 18 GA., .03[.8] THK. GRN/YEL. INSUL.



BLACK	CONNECTED TO CAPACITOR	.25[6.4] FLAG
GRN/YEL (GRD)	CONNECTED TO BASE	#8 EYELET
ORANGE	5.0/6.0 [127/152]	.50[12.7] SKIN
RED	5.0/6.0 [127/152]	.50[12.7] SKIN
BROWN	5.0/6.0 [127/152]	.50[12.7] SKIN
WHITE	5.0/6.0 [127/152]	.50[12.7] SKIN
BLACK	CONNECTED TO CAPACITOR	.25[6.4] FLAG
BLUE	5.0/6.0 [127/152]	.50[12.7] SKIN
YELLOW	5.0/6.0 [127/152]	.50[12.7] SKIN
BLACK	5.0/6.0 [127/152]	.50[12.7] SKIN
COLOR	LENGTH	TERMINAL OR STRIP LENGTH



- NOTES:
- SHIP MOTOR CONNECTED FOR CCWLE ROTATION AND 115 VOLTS.
  - (1) SPACEER 17P90-1 (1) KEY 38P8-4 TO BE PUT IN POLYBAG AND SHIPPED SEPARATE IN CARTON WITH MOTOR

REGAL-BELOIT CORPORATION (RBC) PROVIDES TECHNICAL ASSISTANCE TO OUR CUSTOMERS IN SEVERAL AREAS. SINCE RBC DOES NOT RECEIVE ALL DATA CONCERNING THE USE AND APPLICATION OF THE MOTOR, THE SUITABILITY OF THE MOTOR FOR THE APPLICATION MUST BE DETERMINED BY THE CUSTOMER.

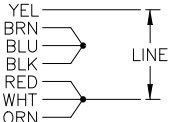
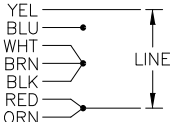
DIMENSIONS WITHOUT TOLERANCES ARE FOR REFERENCE ONLY.

MAIN FRAME - OLE	ENCLOSED
END FRAME - OLE	ENCLOSED
MAIN FRAME - LE	ENCLOSED
END FRAME - LE	ENCLOSED

CUSTOMER DIST. SERVICES

NAMEPLATE DATA: EXTERNAL CONNECTION DIAGRAM

MODEL NO.: F48Y34A01  
 CUST. P/N: C043A  
 HP: 1/3  
 ROT.: REV  
 RPM: 1725  
 TYPE: UF  
 FRAME: 48Z  
 VOLTS: 115/230  
 PH: 1  
 AMPS: 3.6/1.8  
 HZ: 60  
 INS.: B  
 AMB.: 40°C  
 DUTY: AIR OVER  
 CAP.: 10 MFD/370 V  
 ENCL: ENCLOSED  
 UL LOGO  
 CSA LOGO  
 THERMALLY PROTECTED



LOW VOLTS SHOWN FOR CCWLE ROTATION, FOR CWLE, INTERCHANGE RED & BLACK LEADS

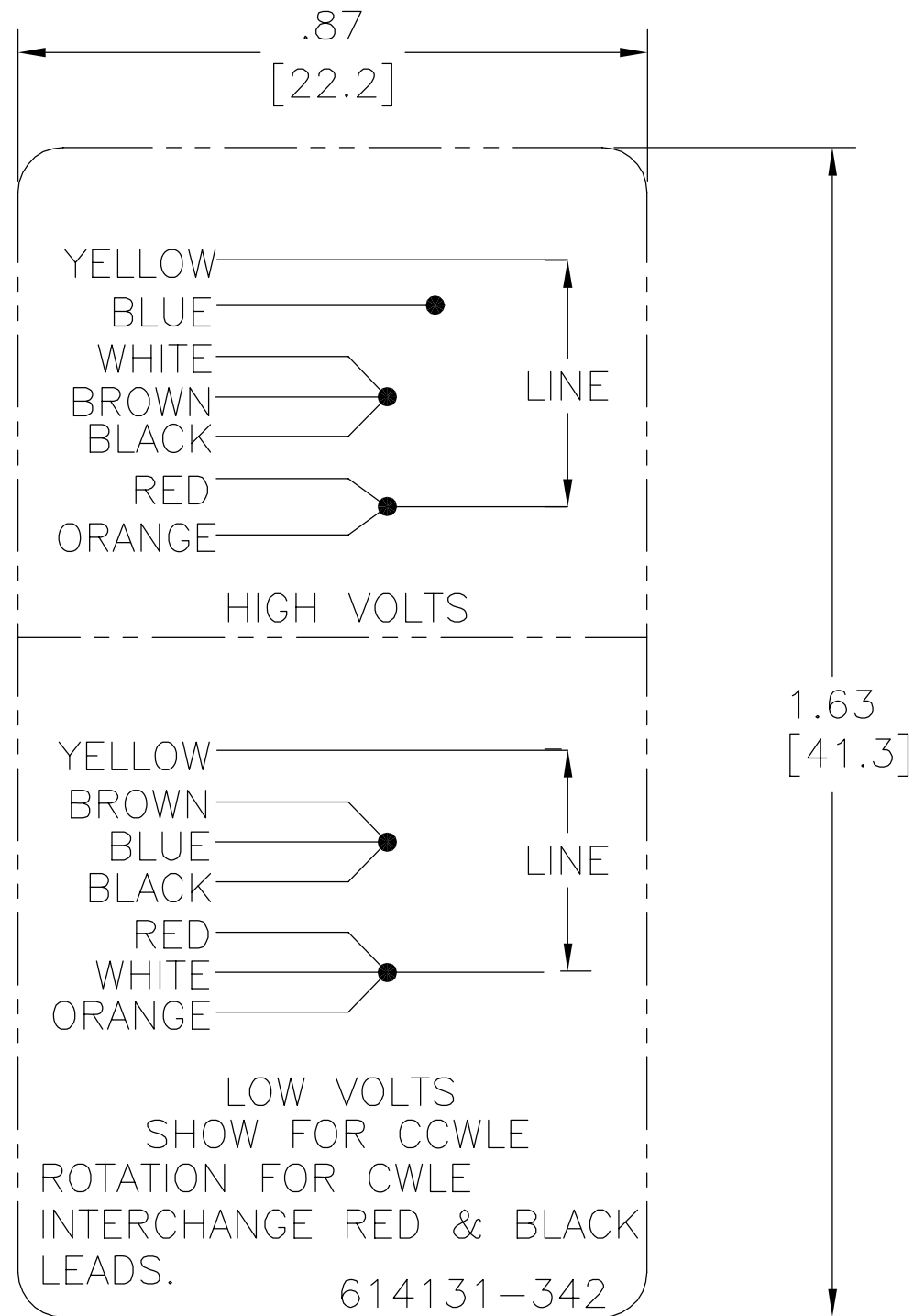
614131-342

PERFORMANCE CURVE NO.	TORQUE @1700 RPM (25°C)	APPROVED SAMPLE	UL COMPONENT	CSA
C32617	18.04 OZ. FT.	0600704B	FILE # E46412 CCN # PRGY2	FILE # LR43341 CLASS # 4211-01

DRAWING REVISION	REVISION BY	DATE
1P	ABH	07-22-2025
ECO	APPROVED BY	DATE
ECR-0244536	KEP	07-22-2025
ECO DESCRIPTION		
REMOVED ADDITIONAL CONN LABEL		
<small>                 COPYRIGHT REGAL-BELOIT AMERICA, INC. ALL RIGHTS RESERVED.                  PROPRIETARY AND CONFIDENTIAL INFORMATION - THIS DOCUMENT IS THE PROPERTY OF REGAL-BELOIT AMERICA, INC. AND/OR ANY PART OF IT. IT SHALL NOT BE DISCLOSED TO ANY PERSON, CORPORATION OR OTHER ENTITY, DUPLICATED, AND/OR USED, EXCEPT AS EXPRESSLY APPROVED IN WRITING IN ADVANCE BY OWNER. THIS DOCUMENT SHALL BE RETURNED TO OWNER UPON REQUEST. IT MAY BE SUBJECT TO CERTAIN RESTRICTIONS UNDER APPLICABLE EXPORT CONTROL LAWS AND REGULATIONS.             </small>		

DRAWN BY: KE	DATE: 11-09-2006	APPROVED BY: IR	DATE: 02-20-2008	PROCESS/FINISH	SHEET NO	SHEET
REGAL-BELOIT AMERICA, INC.		DESCRIPTION		MODEL-RFHP-48FR OUTLINE		
THIRD ANGLE PROJECTION		SIZE DWG NO		F48Y34A01		
C		1		1		

REV	ECO	REV BY	DATE	APPD	DATE
C	0025139	D.ZHANG	03-31-2012	B.SHEN	03-31-2012



NOTES:

1. FOR USE WITH 614129 NAMEPLATE BLANK
2. ——— ——— INDICATES DIMENSION LIMITS
3. DIE TO BE MADE FROM MASTER SUPPLIED BY A. O. SMITH CORPORATION
4. DIE MUST PRODUCE A LEGIBLE IMPRESSION.

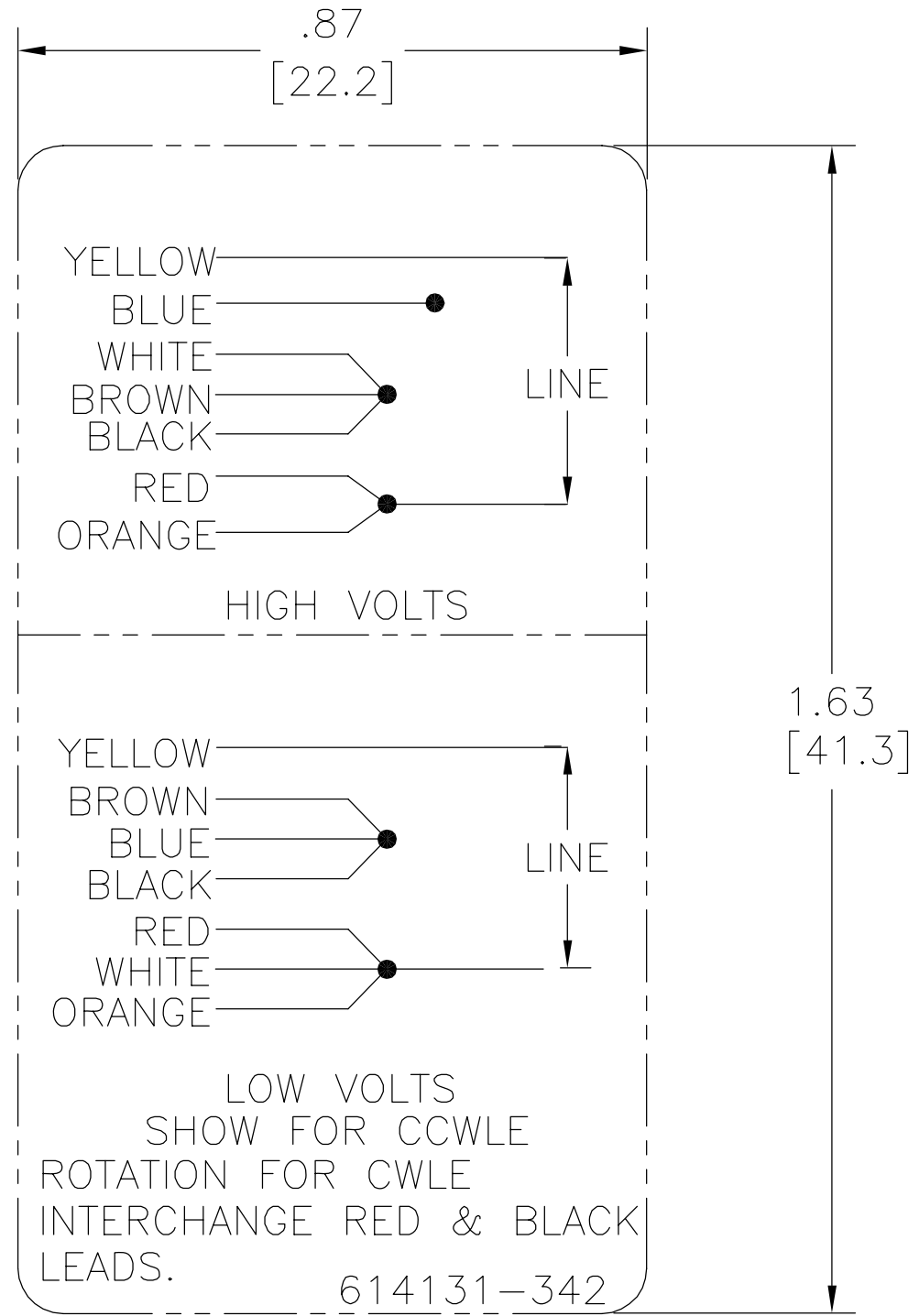
GEOMETRIC CHARACTERISTICS & SYMBOLS ▭ FLATNESS — STRAIGHTNESS < ANGULARITY ⊥ PERPENDICULARITY (SQUARENESS) // PARALLELISM ○ ROUNDNESS (CIRCULARITY) ∅ CYLINDRICITY △ PROFILE OF ANY SURFACE ∩ PROFILE OF ANY LINE † RUNOUT ⊕ TRUE POSITION ◎ CONCENTRICITY = SYMMETRY
--

UNLESS OTHERWISE SPECIFIED DIM. TOLERANCES ARE AS FOLLOWS: INCH X XX XXX XXXX ±.1 ±.02 ±.005 ±.0005 mm ±0.5 ±0.13 ±0.013 ANG. ±.50 DEG REMOVE BURRS & BREAK SHARP EDGES: INCH .003-.015 mm 0.1-0.4 CORNER FILLETS TO: INCH .020 mm 0.5 MACHINE SURFACES: INCH 125 mm 3.2 METRIC DIMS. SHOWN IN [BRACKETS]
---

DR BY:	L.Grado	02-05-2009
APPD:	C.Contreras	02-05-2009
THIRD ANGLE PROJECTION		EDS DATE 11-11-2011 FORMAT REV G
CONFIDENTIAL: THIS DRAWING AND ITS INFORMATION ARE THE EXCLUSIVE AND CONFIDENTIAL PROPERTY OF REGAL-BELOIT CORPORATION AND ARE NOT TO BE DISCLOSED, DUPLICATED, DISTRIBUTED OR OTHERWISE USED WITHOUT THE WRITTEN CONSENT OF REGAL-BELOIT CORPORATION. -ALL RIGHTS RESERVED.		

REGAL-BELOIT CORPORATION	
DESCRIPTION	
CONN DIAGRAM-EXTERNAL	
SIZE	DWG NO
A	614131-342
SCALE	SHEET
NONE	1

REVISION:	ECO	REVISADO POR:	FECHA:	APROBADO POR:	FECHA:
C	0025139	D.ZHANG	03-31-2012	B.SHEN	03-31-2012



NOTAS:

1. PARA USAR CON 614129 PLACA DE DATOS EN BLANCO.
2. ——— ——— INDICA LIMITES DE DIMENSION
3. EL MOLDE DEBE ESTAR HECHO DESDE EL PROVEEDOR PRINCIPAL POR A. O. SMITH CORPORATION
4. EL MOLDE DEBE PRODUCIR UNA IMPRESION LEGIBLE.

CARACTERISTICAS DE GEOMETRIA Y SIMBOLOS

- ▭ PLANICIDAD
- RECTITUD
- ∠ ANGULARIDAD
- ⊥ PERPENDICULARIDAD (A ESCUADRA)
- // PARALELISMO
- REDONDEZ (CIRCULARIDAD)
- ⊘ CILINDRICIDAD
- ⊖ PERFIL DE CUALQUIER SUPERFICIE
- ⌒ PERFIL DE CUALQUIER LINEA
- ↗ VARIACION
- ⊕ POSICION REAL
- ◎ CONCENTRICIDAD
- ≡ SIMETRIA

ASME Y14.5M 1994

A MENOS QUE SE ESPECIFIQUE DE OTRA MANERA, LAS TOLERANCIAS DE LAS DIMS; SON LAS SIGUIENTES:

	X	XX	XXX	XXXX
PULG	±.1	±.02	±.005	±.0005
mm	±0.5	±0.13	±0.013	

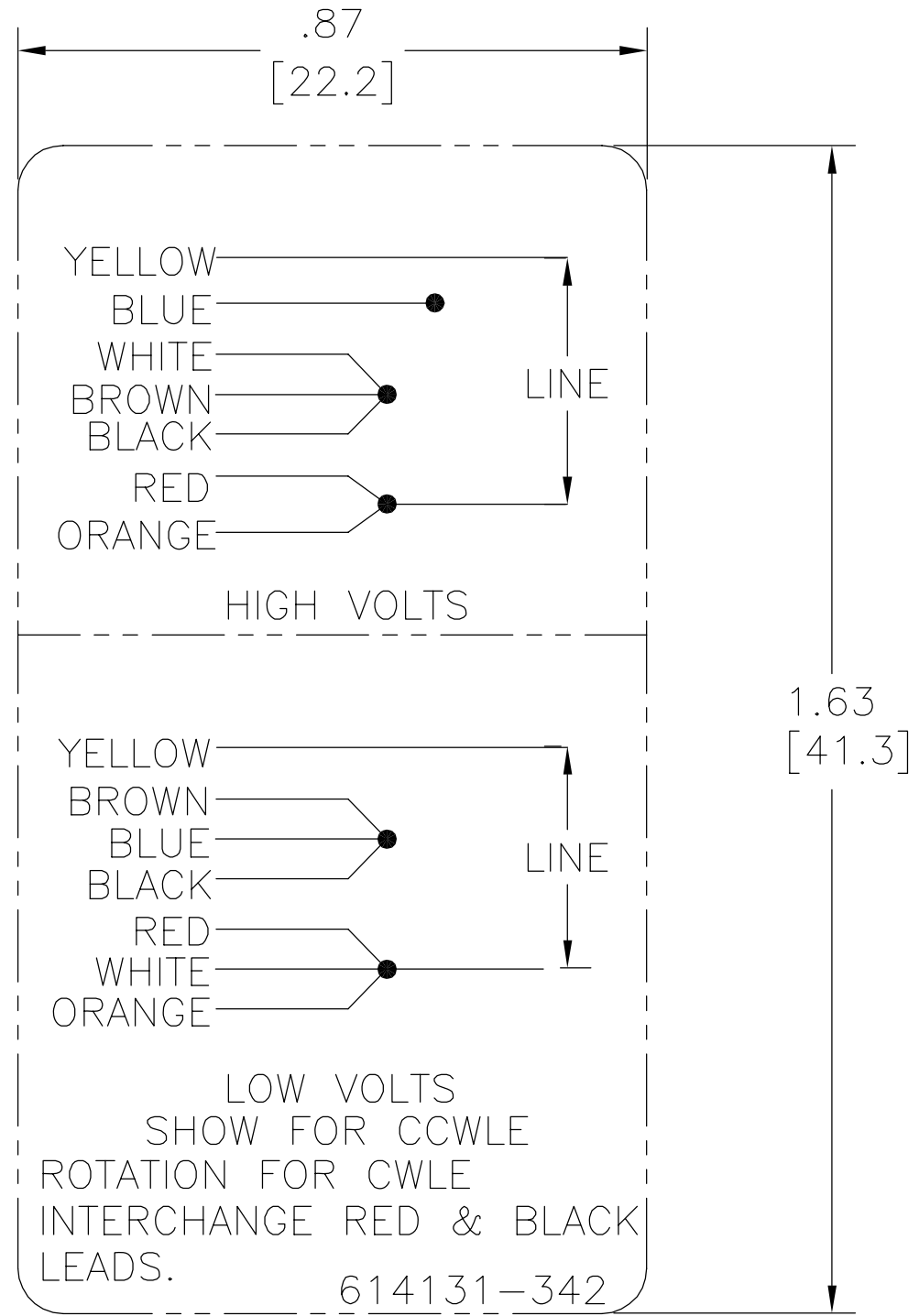
ANG. ±.50 GRADOS  
 ELIMINAR REBABAS Y ORILLAS FILOSAS DEL BORDE.  
 PULG .003-.015 mm 0.1-0.4  
 FILETEAR ESQUINA: PULG .020 mm 0.5  
 MAQUINAR SUPERFICIES  
 PULG 125 mm 3.2

DIMS METRICAS MOSTRADAS [PARENTESIS]

DIBUJADO POR:	L.Grado	02-05-2009
APROBADO POR:	C.Contreras	02-05-2009
TERCER ANGULO DE PROYECCION		FECHA EDS: 11-11-2011 REV. FORMATO: G
CONFIDENCIAL: ESTE DIBUJO Y SU INFORMACION SON PROPIEDAD DE USO EXCLUSIVO Y CONFIDENCIAL DE REGAL-BELOIT CORPORATION Y NO DEBERAN SER REVELADOS, DUPLICADOS, DISTRIBUIDOS O USARSE DE OTRA MANERA SIN EL CONSENTIMIENTO ESCRITO DE REGAL-BELOIT CORPORATION.-TODOS LOS DERECHOS RESERVADOS.		

REGAL-BELOIT CORPORATION	
DESCRIPCION: CONN DIAGRAM-EXTERNAL	
TAMAÑO: A	NUMERO DE DIBUJO: 614131-342
ESCALA:NONE	HOJA: 1

版本	ECO	编制	日期	批准	日期
C	0025139	D.ZHANG	03-31-2012	B.SHEN	03-31-2012



形位公差	除另有注明
□ 平面度	尺寸公差如下:
— 直线度	英寸 X XX XXX XXXX
∠ 倾斜度	英寸 ±.1 ±.02 ±.005 ±.0005
⊥ 垂直度	毫米 ±0.5 ±0.13 ±0.013
// 平行度	角度 ±.50 度
○ 圆度	清理毛刺和尖棱
∅ 圆柱度	英寸 .003-.015 毫米 0.1-0.4
△ 面轮廓度	内圆角
∩ 线轮廓度	英寸 .020 毫米 0.5
↗ 圆跳动	表面粗糙度
⊕ 位置度	英制 125 米制 3.2
◎ 同轴度	米制尺寸显示在 [ ]
≡ 对称度	

ASME Y14.5M 1994	米制尺寸显示在 [ ]
------------------	-------------

绘图:	L.Grado	02-05-2009
批准:	C.Contreras	02-05-2009
第三角投影		图纸格式发布日期 11-11-2011 图纸格式版本 G
机密:本图纸及相关信息所有权归REGAL-BELOIT CORPORATION 未经REGAL-BELOIT CORPORATION书面授权,不得泄露、 复制、传播或作其他用途。—版权所有		

REGAL-BELOIT CORPORATION	
名称	CONN DIAGRAM-EXTERNAL
图幅	A
图号	614131-342
比例	NONE
页号	1