

PRODUCT INFORMATION PACKET



Model No: C045A
Catalog No: C045A
Direct Drive Fan Motor, 1/4 HP, 1 Ph, 60 Hz, 115/230 V, 48Z Frame, TEAO



Regal and Century are trademarks of Regal Rexnord Corporation or one of its affiliated companies.
©2025 Regal Rexnord Corporation, All Rights Reserved. MC017097E





Nameplate Specifications

Phase	1	Output HP	1/4 Hp
Output KW	0.19 kW	Voltage	115/230 V
Speed	1100 rpm	Service Factor	1
Frame	48Z	Enclosure	Totally Enclosed Air Over
Thermal Protection	Automatic	Ambient Temperature	40 °C
Frequency	60 Hz	Current	4.0/2.0 A
Duty	Air Over	Insulation Class	B
UL	Recognized	CSA	Y
CE	N	Number of Speeds	1

Technical Specifications

Electrical Type	Permanent Split Capacitor	Starting Method	Across The Line
Poles	6	Rotation	Reversible
Mounting	Resilient Base	Drive End Bearing	Ball
Opp Drive End Bearing	Ball	Frame Material	Rolled Steel
Shaft Type	Flat	Overall Length	9.77 in
Frame Length	5.25 in	Shaft Diameter	0.500 in
Shaft Extension	3.28 in		
Connection Drawing	D0000522-001	Outline Drawing	C045A-S01

This is an uncontrolled document once printed or downloaded and is subject to change without notice. Date Created:12/26/2025

GENERAL INFORMATION:

SHAFT RUNOUT: .001[.03] T.I.R. PER INCH LENGTH OF EXTENSION

BEARINGS: BALL

POSITION: ALL ANGLE

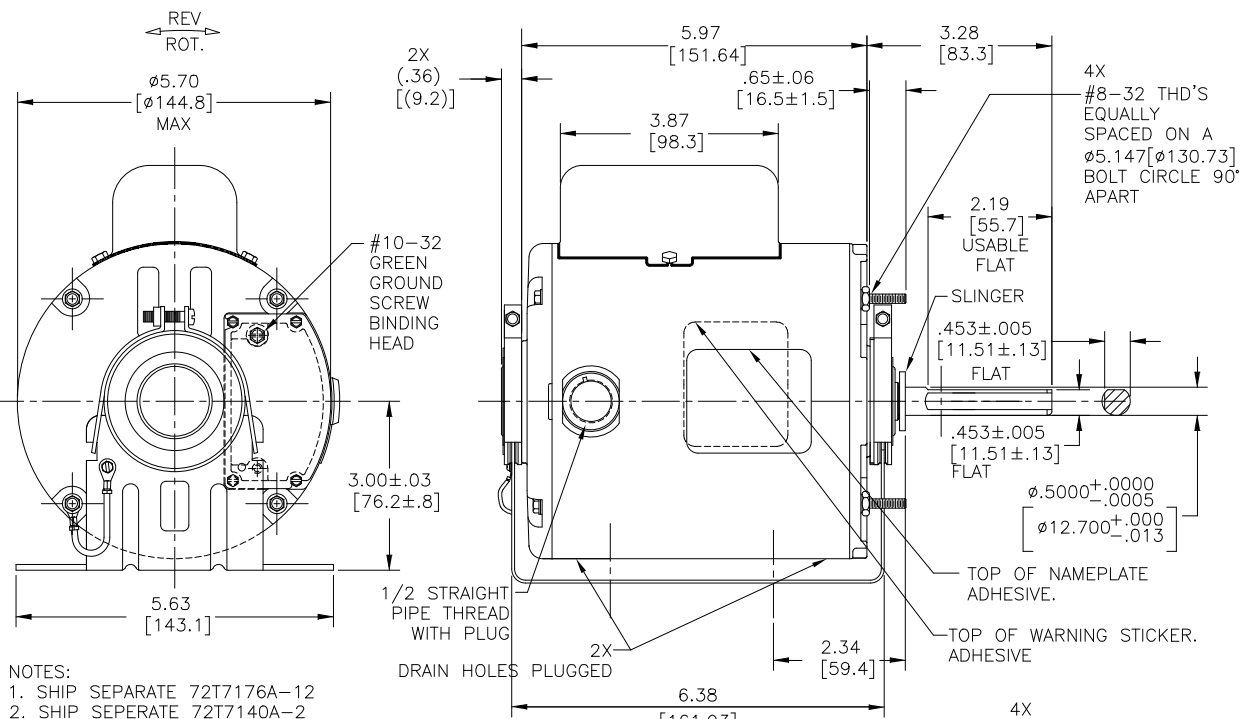
MOUNTING

ELECTRICAL DATA:

OVERLOAD PROTECTOR: AUTOMATIC RESET (SENSATA 7AM 034)

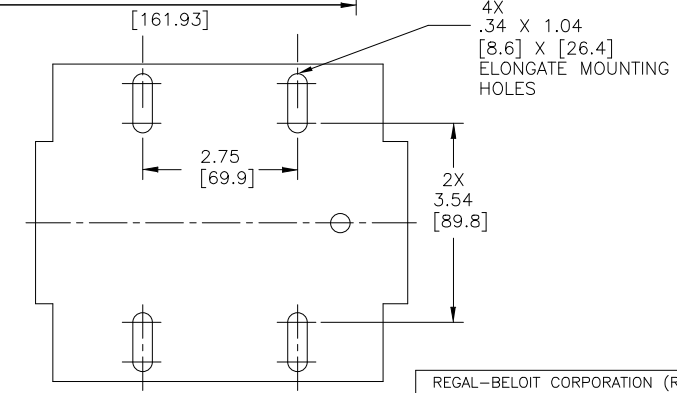
LEADS: NO. 18 GA., .03[.8] THK. XLP 125°C INSUL.

GROUND LEAD: NO. 18 GA., .03[.8] THK. GRN/YEL. INSUL.



- NOTES:
- SHIP SEPARATE 72T7176A-12
 - SHIP SEPARATE 72T7140A-2
 - DISTRIBUTION SERVICE CUST. P/N: C045A
GRAINGER CUST. P/N: 2FGR2

BROWN	5.0/7.0 [127/178]	.50[12.7] STRIP
GRN/YEL (GRD)	3.0/5.0 [76/127]	#10 EYELET
BLUE	5.0/7.0 [127/178]	.50[12.7] STRIP
RED	5.0/7.0 [127/178]	.50[12.7] STRIP
BLACK	5.0/7.0 [127/178]	.50[12.7] STRIP
ORANGE	5.0/7.0 [127/178]	.50[12.7] STRIP
YELLOW	5.0/7.0 [127/178]	.50[12.7] STRIP
WHITE	5.0/7.0 [127/178]	.50[12.7] STRIP
BROWN	CONNECTED TO CAPACITOR	.25[6.4] FLAG
BROWN	CONNECTED TO CAPACITOR	.25[6.4] FLAG
COLOR	LENGTH	TERMINAL OR STRIP LENGTH



REGAL-BELOIT CORPORATION (RBC) PROVIDES TECHNICAL ASSISTANCE TO OUR CUSTOMERS IN SEVERAL AREAS. SINCE RBC DOES NOT RECEIVE ALL DATA CONCERNING THE USE AND APPLICATION OF THE MOTOR, THE SUITABILITY OF THE MOTOR FOR THE APPLICATION MUST BE DETERMINED BY THE CUSTOMER.

DIMENSIONS WITHOUT TOLERANCES ARE FOR REFERENCE ONLY.

NAMEPLATE DATA:	EXTERNAL CONNECTION DIAGRAM
MODEL NO.: F48Z22A01 CUST. P/N: SEE NOTE HP: 1/4 ROT.: REV RPM: 1100 TYPE: UF FRAME: 48Z VOLTS: 115/230 PH: 1 AMPS: 4.0/2.0 HZ: 60 INS.: B AMB.: 40°C DUTY: AIR OVER CAP.: 6MFD/370 V ENCL: ENCLOSED UL LOGO CSA LOGO THERMALLY PROTECTED	<p>BLU RED BLK ORN YEL WHT BRN</p> <p>LINE</p> <p>HIGH VOLTS</p> <p>BLK BLU ORN YEL RED WHT BRN</p> <p>LINE</p> <p>LOW VOLTS</p> <p>SHOWN FOR CWLE ROTATION, FOR CWLE INTERCHANGE BROWN & YELLOW LEADS</p> <p>D0000522-001</p>

PERFORMANCE CURVE NO.	TORQUE @1100 RPM (25°C)	APPROVED SAMPLE	UL COMPONENT FILE #	CCN #	CSA FILE #	CLASS #
C32687	25.8 OZ. FT.	0603096A	E46412	PRGY2	LR43341	4211-01

LEAD DATA

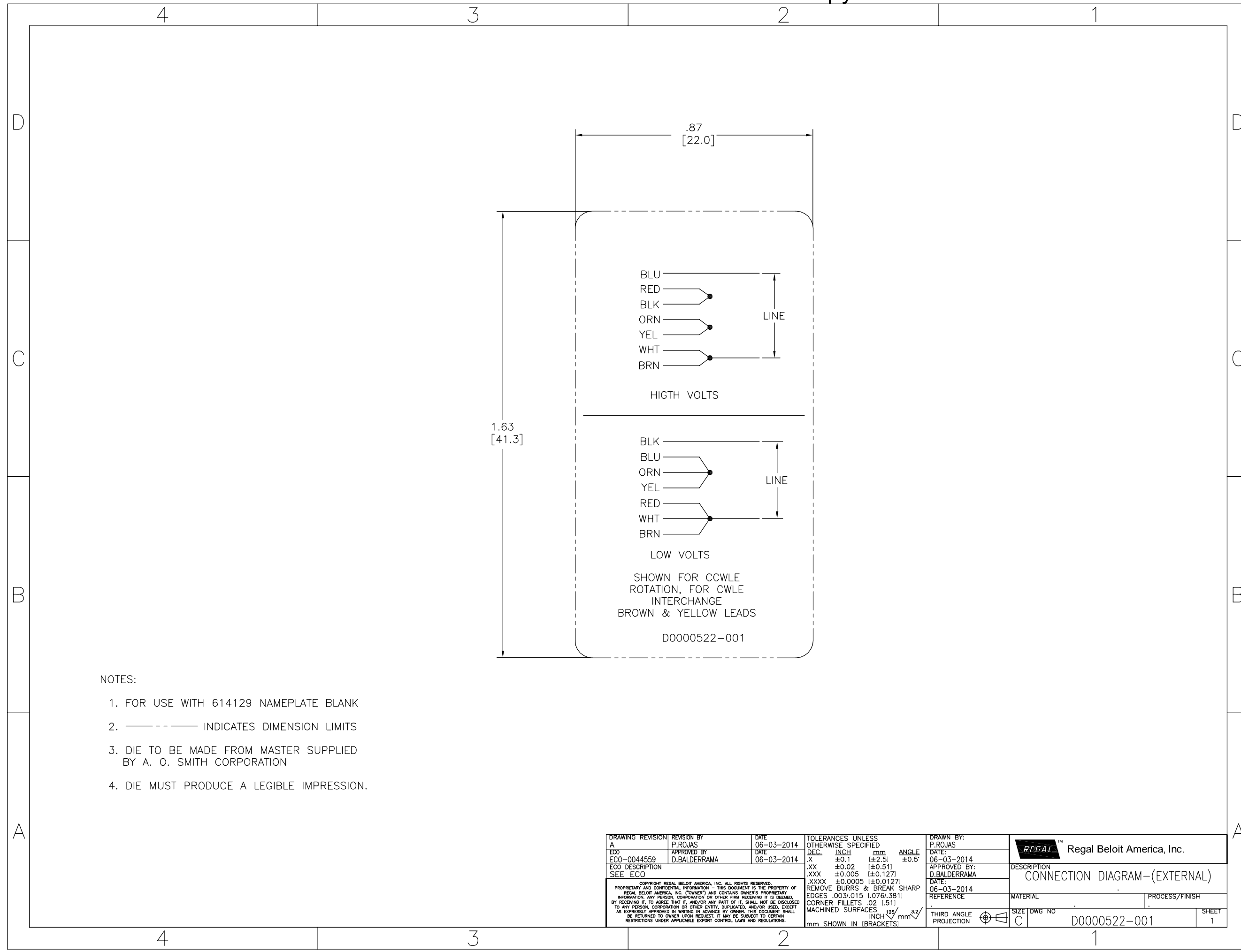
ENCLOSURE

DRAWING REVISION	REVISION BY	DATE
DC	ABH	12/24/25
ECO	APPROVED BY	DATE
ECR-0245621	KEP	12/24/25
ECO DESCRIPTION		
REVISED BASE DIM AS PER ECR-0245621		
<small>COPYRIGHT REGAL-BELOIT AMERICA, INC. ALL RIGHTS RESERVED. PROPRIETARY AND CONFIDENTIAL INFORMATION - THIS DOCUMENT IS THE PROPERTY OF REGAL-BELOIT AMERICA, INC. (OWNER) AND CONTAINS OWNER'S PROPRIETARY INFORMATION. ANY PERSON, CORPORATION OR OTHER ENTITY RECEIVING IT IS DEMAND, BY RECEIVING IT, TO AGREE THAT IT, AND/OR ANY PART OF IT, SHALL NOT BE DISCLOSED TO ANY PERSON, CORPORATION OR OTHER ENTITY, DUPLICATED, AND/OR USED, EXCEPT AS EXPRESSLY APPROVED IN WRITING IN ADVANCE BY OWNER. THIS DOCUMENT SHALL BE RETURNED TO OWNER UPON REQUEST. IT MAY BE SUBJECT TO CERTAIN RESTRICTIONS UNDER APPLICABLE EXPORT CONTROL LAWS AND REGULATIONS.</small>		

DRAWN BY:	J.M. RAMIREZ
DATE:	01-14-2013
APPROVED BY:	E.BAEZA
DATE:	01-14-2013
PROCESS/FINISH	
THIRD ANGLE PROJECTION	

DESCRIPTION	
MODEL-RFHP-48FR OUTLINE	
MATERIAL	
SIZE	DWG NO
C	C045A
SHEET	1

CUSTOMER	DIST. SERVICES
----------	----------------



NOTES:

1. FOR USE WITH 614129 NAMEPLATE BLANK
2. ----- INDICATES DIMENSION LIMITS
3. DIE TO BE MADE FROM MASTER SUPPLIED BY A. O. SMITH CORPORATION
4. DIE MUST PRODUCE A LEGIBLE IMPRESSION.

DRAWING REVISION A	REVISION BY P.ROJAS	DATE 06-03-2014	TOLERANCES UNLESS OTHERWISE SPECIFIED DEC. INCH mm ANGLE .X ±0.1 [±2.5] ±0.5° .XX ±0.02 [±0.51] .XXX ±0.005 [±0.127] .XXXX ±0.0005 [±0.0127]	DRAWN BY: P.ROJAS	Regal Beloit America, Inc.	
ECO ECO-0044559	APPROVED BY D.BALDERRAMA	DATE 06-03-2014	REMOVE BURRS & BREAK SHARP EDGES .003/.015 [0.076/.381] CORNER FILLETS .02 [1.51] MACHINED SURFACES .125/3.2 mm SHOWN IN [BRACKETS]	DATE: 06-03-2014		DESCRIPTION CONNECTION DIAGRAM--(EXTERNAL)
ECO DESCRIPTION SEE ECO	<small>COPYRIGHT REGAL BELOIT AMERICA, INC. ALL RIGHTS RESERVED. PROPRIETARY AND CONFIDENTIAL INFORMATION - THIS DOCUMENT IS THE PROPERTY OF REGAL BELOIT AMERICA, INC. (OWNER) AND CONTAINS OWNER'S PROPRIETARY INFORMATION. ANY PERSON, CORPORATION OR OTHER FIRM RECEIVING IT IS DEEMED, BY RECEIVING IT, TO AGREE THAT IT, AND/OR ANY PART OF IT, SHALL NOT BE DISCLOSED TO ANY PERSON, CORPORATION OR OTHER ENTITY, DUPLICATED, AND/OR USED, EXCEPT AS EXPRESSLY APPROVED IN WRITING IN ADVANCE BY OWNER. THIS DOCUMENT SHALL BE RETURNED TO OWNER UPON REQUEST. IT MAY BE SUBJECT TO CERTAIN RESTRICTIONS UNDER APPLICABLE EXPORT CONTROL LAWS AND REGULATIONS.</small>			APPROVED BY: D.BALDERRAMA	MATERIAL	PROCESS/FINISH
				REFERENCE	SIZE DWG NO C D0000522-001	SHEET 1