

PRODUCT INFORMATION PACKET



Model No: C046A
Catalog No: C046A
Direct Drive Fan Motor, 1/3 HP, 1 Ph, 60 Hz, 115/230 V, 48Z Frame, TEAO



Regal and Century are trademarks of Regal Rexnord Corporation or one of its affiliated companies.
©2022 Regal Rexnord Corporation, All Rights Reserved. MC017097E





Nameplate Specifications

Output HP	1/3 Hp	Output KW	0.25 kW
Frequency	60 Hz	Voltage	115/230 V
Current	4.5/2.3 A	Speed	1100 rpm
Service Factor	1	Phase	1
Duty	Air Over	Insulation Class	B
Frame	48Z	Enclosure	Totally Enclosed Air Over
Thermal Protection	Automatic	Ambient Temperature	40 °C
UL	Recognized	CSA	Y
CE	N	Number of Speeds	1

Technical Specifications

Electrical Type	Permanent Split Capacitor	Starting Method	Across The Line
Poles	6	Rotation	Reversible
Mounting	Resilient Base	Drive End Bearing	Ball
Opp Drive End Bearing	Ball	Frame Material	Rolled Steel
Shaft Type	Flat	Overall Length	10.01 in
Frame Length	5.75 in	Shaft Diameter	0.500 in
Shaft Extension	3.28 in		
Outline Drawing	F48Y38A01	Connection Drawing	D0000522-001

This is an uncontrolled document once printed or downloaded and is subject to change without notice. Date Created:11/28/2022

GENERAL INFORMATION:

SHAFT RUNOUT: .001[.03] T.I.R. PER INCH LENGTH OF EXTENSION

BEARINGS: 203 BALL

MOUNTING POSITION: HORIZONTAL

ELECTRICAL DATA:

OVERLOAD PROTECTOR: AUTOMATIC RESET (SENSATA 7AM 036)

LEADS: NO. 18 GA., .03[.8] THK. XLP 125°C INSUL.

GROUND LEAD: NO. 18 GA., .03[.8] THK. GRN/YEL. INSUL.

NOTES:

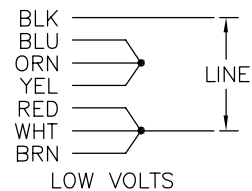
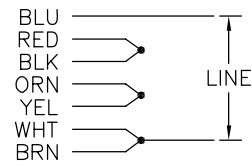
- SHIP SEPARATE 72T7140A-2
- DISTRIBUTION: CUST. P/N: C046A
GRAINGER: CUST. P/N: 2FGP8

SEE NOTE 2

NAMEPLATE DATA:

MODEL NO.: F48Y38A01
CUST. P/N: []
HP: 1/3
ROT.: REV
RPM: 1100
TYPE: UF
FRAME: 48Z
VOLTS: 115/230
PH: 1
AMPS: 4.5/2.3
HZ: 60
INS.: B
AMB.: 40°C
DUTY: AIR OVER
CAP.: 7.5 MFD/370 V
ENCL: ENCLOSED
UL LOGO
CSA LOGO
THERMALLY PROTECTED

EXTERNAL CONNECTION DIAGRAM



MOTOR CONNECTED FOR CCWLE ROTATION & 115V TO REVERSE, INTERCHANGE BROWN & YELLOW LEADS

D0000522-001

PERFORMANCE CURVE NO.	TORQUE @1100 RPM (25°C)	APPROVED SAMPLE	UL COMPONENT FILE #	CCN #	CSA FILE #	CLASS #
C32623	32.3 OZ. FT.	0601687A	E46412	PRGY2	LR43341	4211-01

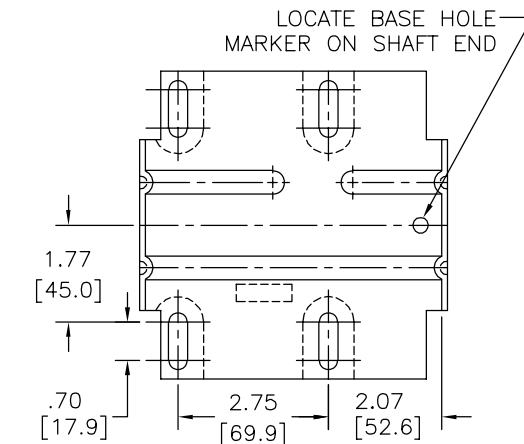
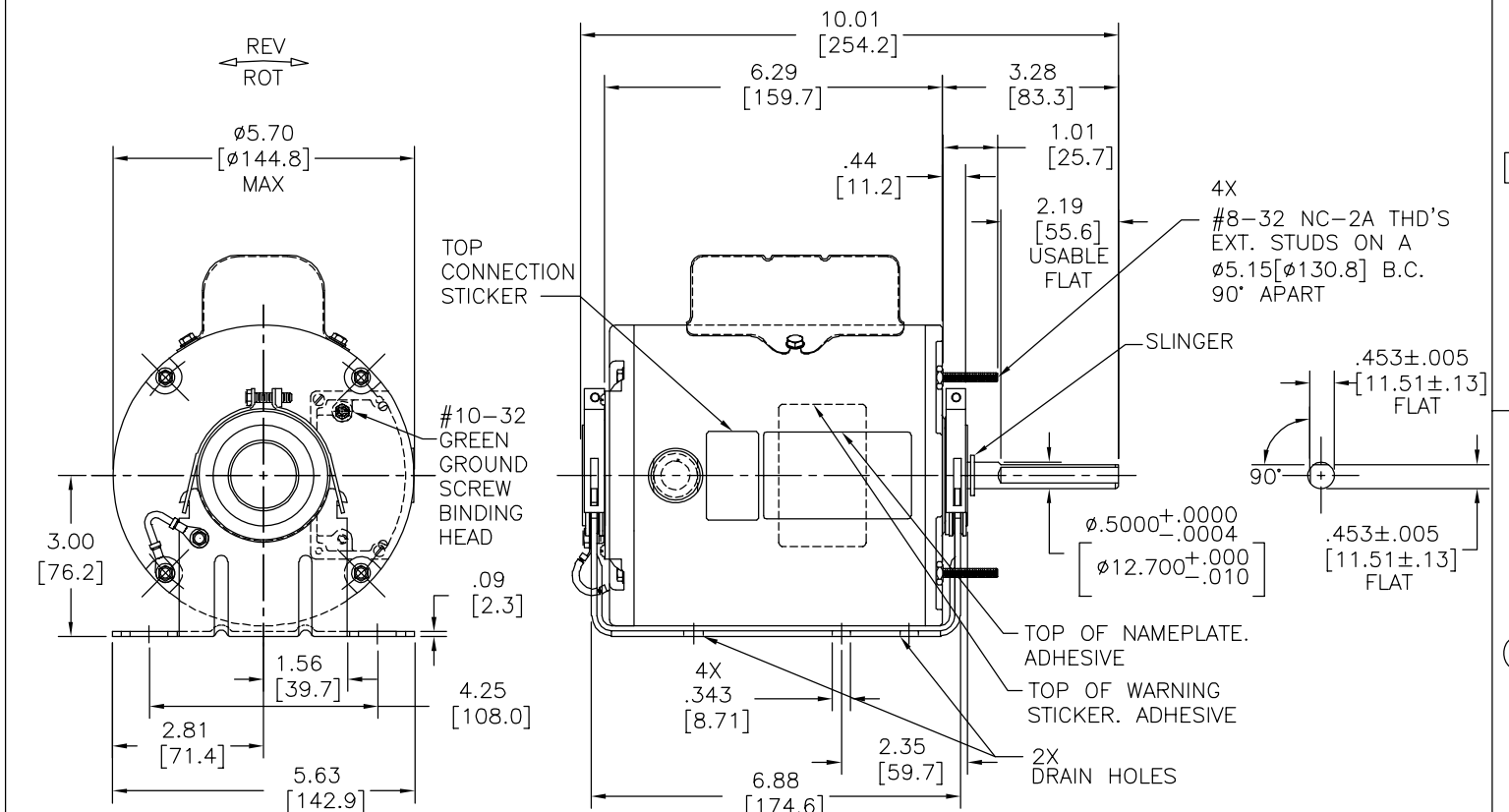
COLOR	LENGTH	TERMINAL OR STRIP LENGTH
GRN/YEL (GRD)	3.0/5.0 [76/127]	#8 EYELET
BLUE	5.0/7.0 [127/178]	.50 [12.8] STRIP
RED	5.0/7.0 [127/178]	.50 [12.8] STRIP
BLACK	5.0/7.0 [127/178]	.50 [12.8] STRIP
ORANGE	5.0/7.0 [127/178]	.50 [12.8] STRIP
YELLOW	5.0/7.0 [127/178]	.50 [12.8] STRIP
WHITE	5.0/7.0 [127/178]	.50 [12.8] STRIP
BROWN	5.0/7.0 [127/178]	.50 [12.8] STRIP
BROWN	CONNECTED TO CAPACITOR	.25 [6.4] FLAG
BROWN	CONNECTED TO CAPACITOR	.25 [6.4] FLAG

LEAD DATA

DRAWING REVISION: R	REVISION BY: P.ROJAS	DATE: 04-22-2014
ECO: ECO-0044559	APPROVED BY: D.BALDERRAMA	DATE: 04-22-2014

SEE ECO

COPYRIGHT REGAL BELOIT AMERICA, INC. ALL RIGHTS RESERVED. PROPRIETARY AND CONFIDENTIAL INFORMATION - THIS DOCUMENT IS THE PROPERTY OF REGAL BELOIT AMERICA, INC. ("OWNER") AND CONTAINS OWNER'S PROPRIETARY INFORMATION. ANY PERSON, CORPORATION OR OTHER FIRM RECEIVING IT IS DEEMED, BY RECEIVING IT, TO AGREE THAT IT, AND/OR ANY PART OF IT, SHALL NOT BE DISCLOSED TO ANY PERSON, CORPORATION OR OTHER ENTITY, DUPLICATED, AND/OR USED, EXCEPT AS EXPRESSLY APPROVED IN WRITING IN ADVANCE BY OWNER. THIS DOCUMENT SHALL BE RETURNED TO OWNER UPON REQUEST. IT MAY BE SUBJECT TO CERTAIN RESTRICTIONS UNDER APPLICABLE EXPORT CONTROL LAWS AND REGULATIONS.



REGAL-BELOIT CORPORATION (RBC) PROVIDES TECHNICAL ASSISTANCE TO OUR CUSTOMERS IN SEVERAL AREAS. SINCE RBC DOES NOT RECEIVE ALL DATA CONCERNING THE USE AND APPLICATION OF THE MOTOR, THE SUITABILITY OF THE MOTOR FOR THE APPLICATION MUST BE DETERMINED BY THE CUSTOMER.

DIMENSIONS WITHOUT TOLERANCES ARE FOR REFERENCE ONLY.

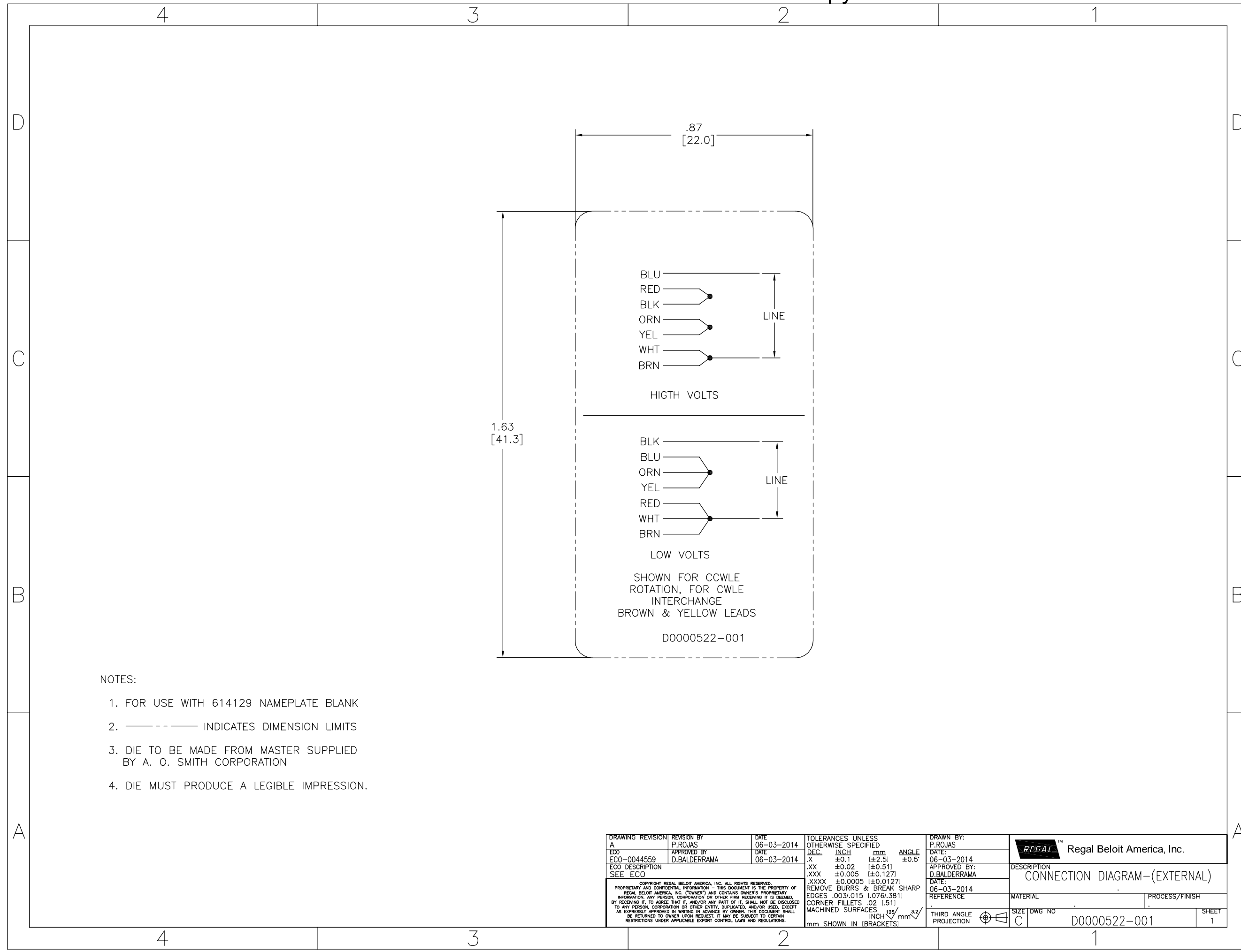
MAIN FRAME - OLE	ENCL. W/DRAIN PLUG
END FRAME - OLE	ENCL.
MAIN FRAME - LE	ENCL. W/DRAIN PLUG
END FRAME - LE	ENCL.

CUSTOMER DIST. SERVICES

ENCLOSURE

DRAWN BY: SR	DATE: 11-17-2006	APPROVED BY: AS	DATE: 01-31-2007
REGAL™ Regal Beloit America, Inc.		DESCRIPTION: MODEL-RFHP-48FR OUTLINE	
REFERENCE: C	SIZE: C	DWG NO: F48Y38A01	PROCESS/FINISH: SHEET 1

THIRD ANGLE PROJECTION



NOTES:

1. FOR USE WITH 614129 NAMEPLATE BLANK
2. ----- INDICATES DIMENSION LIMITS
3. DIE TO BE MADE FROM MASTER SUPPLIED BY A. O. SMITH CORPORATION
4. DIE MUST PRODUCE A LEGIBLE IMPRESSION.

DRAWING REVISION A		REVISION BY P.ROJAS	DATE 06-03-2014	TOLERANCES UNLESS OTHERWISE SPECIFIED		DRAWN BY: P.ROJAS		Regal Beloit America, Inc.
ECO ECO-0044559		APPROVED BY D.BALDERRAMA	DATE 06-03-2014	DEC.	INCH	mm	ANGLE	
ECO DESCRIPTION SEE ECO				.X	±0.1	[±2.5]	±0.5°	APPROVED BY: D.BALDERRAMA
<small>COPYRIGHT REGAL BELOIT AMERICA, INC. ALL RIGHTS RESERVED. PROPRIETARY AND CONFIDENTIAL INFORMATION - THIS DOCUMENT IS THE PROPERTY OF REGAL BELOIT AMERICA, INC. (OWNER) AND CONTAINS OWNER'S PROPRIETARY INFORMATION. ANY PERSON, CORPORATION OR OTHER FIRM RECEIVING IT IS DEEMED, BY RECEIVING IT, TO AGREE THAT IT, AND/OR ANY PART OF IT, SHALL NOT BE DISCLOSED TO ANY PERSON, CORPORATION OR OTHER ENTITY, DUPLICATED, AND/OR USED, EXCEPT AS EXPRESSLY APPROVED IN WRITING IN ADVANCE BY OWNER. THIS DOCUMENT SHALL BE RETURNED TO OWNER UPON REQUEST. IT MAY BE SUBJECT TO CERTAIN RESTRICTIONS UNDER APPLICABLE EXPORT CONTROL LAWS AND REGULATIONS.</small>				REMOVE BURRS & BREAK SHARP EDGES .003/.015 [0.076/.381]		CORNER FILLETS .02 [1.51]		DESCRIPTION CONNECTION DIAGRAM--(EXTERNAL)
				MACHINED SURFACES		INCH/mm		DATE: 06-03-2014
				.XXXX ±0.0005 [±0.0127]		THIRD ANGLE PROJECTION		REFERENCE
				.XXX ±0.005 [±0.127]		SIZE DWG NO		PROCESS/FINISH
				.XX ±0.02 [±0.51]		C		D0000522-001
				.X ±0.1 [±2.5]		SHEET		1