

PRODUCT INFORMATION PACKET



Model No: C047A
Catalog No: C047A
Direct Drive Fan Motor, 1/2 HP, 1 Ph, 60 Hz, 115/230 V, 48Z Frame, TEAO



Regal and Century are trademarks of Regal Rexnord Corporation or one of its affiliated companies.
©2025 Regal Rexnord Corporation, All Rights Reserved. MC017097E





Nameplate Specifications

Phase	1	Output HP	1/2 Hp
Output KW	0.37 kW	Voltage	115/230 V
Speed	1100 rpm	Service Factor	1
Frame	48Z	Enclosure	Totally Enclosed Air Over
Thermal Protection	Automatic	Ambient Temperature	40 °C
Frequency	60 Hz	Current	6.5/3.25 A
Duty	Air Over	Insulation Class	B
UL	Recognized	CSA	Y
CE	N	Number of Speeds	1

Technical Specifications

Electrical Type	Permanent Split Capacitor	Starting Method	Across The Line
Poles	6	Rotation	Reversible
Mounting	Resilient Base	Drive End Bearing	Ball
Opp Drive End Bearing	Ball	Frame Material	Rolled Steel
Shaft Type	Flat	Overall Length	11.05 in
Frame Length	5.75 in	Shaft Diameter	0.500 in
Shaft Extension	3.14 in		
Outline Drawing	F48Y33A01-S01	Connection Drawing	D0000522-001

This is an uncontrolled document once printed or downloaded and is subject to change without notice. Date Created:09/18/2025

GENERAL INFORMATION:

SHAFT RUNOUT: .001[.03] T.I.R. PER INCH LENGTH OF EXTENSION

BEARINGS: 203 BALL

MOUNTING POSITION: HORIZONTAL

ELECTRICAL DATA:

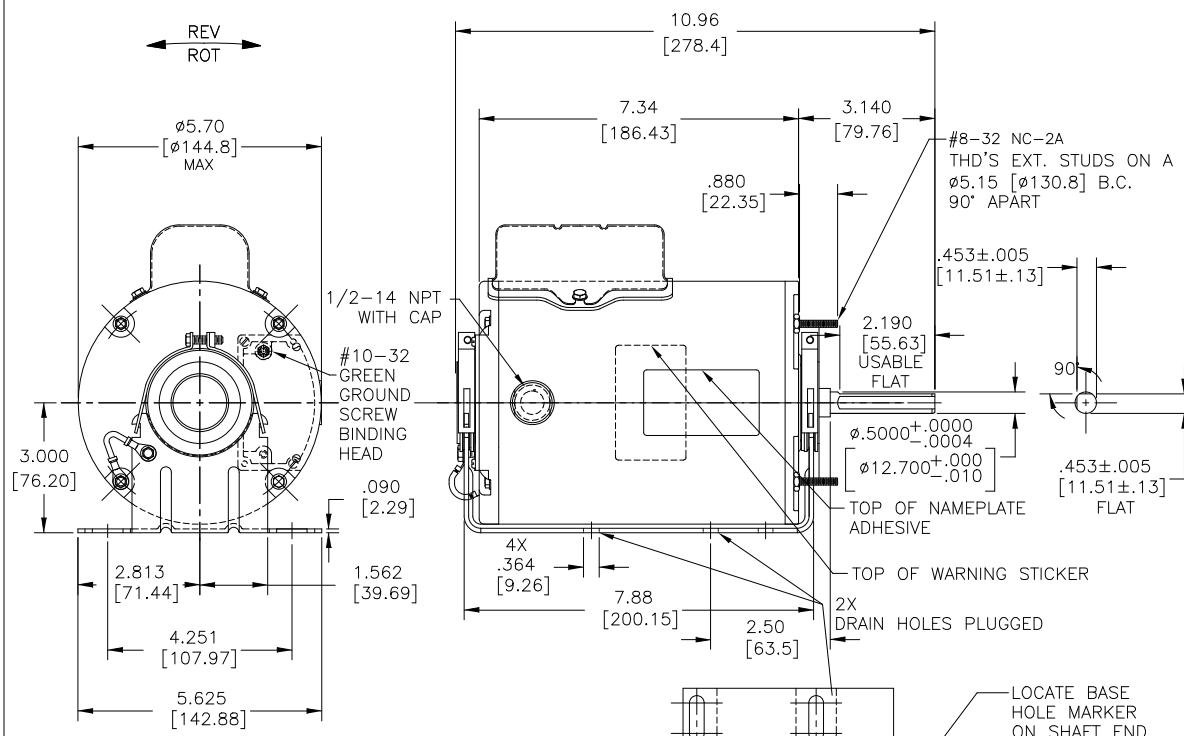
OVERLOAD PROTECTOR: AUTOMATIC RESET (SENSATA 7AM 036)

LEADS: NO. 18 GA., .03[.8] THK. 125°C XLP INSUL.

GROUND LEAD: NO. 18 GA., .03[.8] THK. GREEN/YELLOW INSUL.

NOTES:

- 1. SHIP SEPARATE 72T7140A-2
- 2. DISTRIBUTION: CUST. P/N: C047A
GRAINGER: CUST. P/N: 2FGP9



GREEN/YELLOW (GROUND)	3.0/5.0 [76/127]	#8 EYELET
BROWN	CONNECTED TO CAPACITOR	.25[6.4] FLAG
ORANGE	5.0/7.0 [127/178]	.50[12.8] STRIP
BLACK	5.0/7.0 [127/178]	.50[12.8] STRIP
YELLOW	5.0/7.0 [127/178]	.50[12.8] STRIP
WHITE	5.0/7.0 [127/178]	.50[12.8] STRIP
BROWN	5.0/7.0 [127/178]	.50[12.8] STRIP
BLUE	5.0/7.0 [127/178]	.50[12.8] STRIP
RED	5.0/7.0 [127/178]	.50[12.8] STRIP
BROWN	CONNECTED TO CAPACITOR	.25[6.4] FLAG
COLOR	LENGTH	TERMINAL OR STRIP LENGTH

MAIN FRAME - OLE	ENCLOSED
END FRAME - OLE	ENCLOSED
MAIN FRAME - LE	ENCLOSED
END FRAME - LE	ENCLOSED

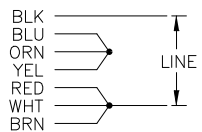
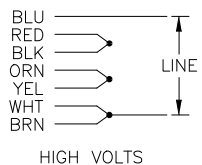
REGAL-BELOIT CORPORATION (RBC) PROVIDES TECHNICAL ASSISTANCE TO OUR CUSTOMERS IN SEVERAL AREAS. SINCE RBC DOES NOT RECEIVE ALL DATA CONCERNING THE USE AND APPLICATION OF THE MOTOR, THE SUITABILITY OF THE MOTOR FOR THE APPLICATION MUST BE DETERMINED BY THE CUSTOMER.

DIMENSIONS WITHOUT TOLERANCES ARE FOR REFERENCE ONLY.

NAMEPLATE DATA:

EXTERNAL CONNECTION DIAGRAM

MODEL NO.: F48Y33A01
 CUST. P/N: []
 HP: 1/2
 ROT.: REV
 RPM: 1100
 TYPE: UF
 FRAME: 48Z
 VOLTS: 115/230
 PH: 1
 AMPS: 6.5/3.25
 HZ: 60
 INS.: B
 AMB.: 40°C
 DUTY: AIR OVER
 CAP.: 10 MFD/370 V
 ENCL: ENCLOSED
 UL LOGO
 CSA LOGO
 THERMALLY PROTECTED



LOW VOLTS
 SHOWN FOR CCWLE
 ROTATION, FOR CWLE
 INTERCHANGE
 BROWN & YELLOW LEADS

D0000522-001

PERFORMANCE CURVE NO.	TORQUE @1100 RPM (25°C)	APPROVED SAMPLE	UL COMPONENT	CSA
C32614	45.0 OZ. FT.	0600701A	FILE # E46412 CCN # PRGY2	FILE # LR43341 CLASS # 4211-01

LEAD DATA

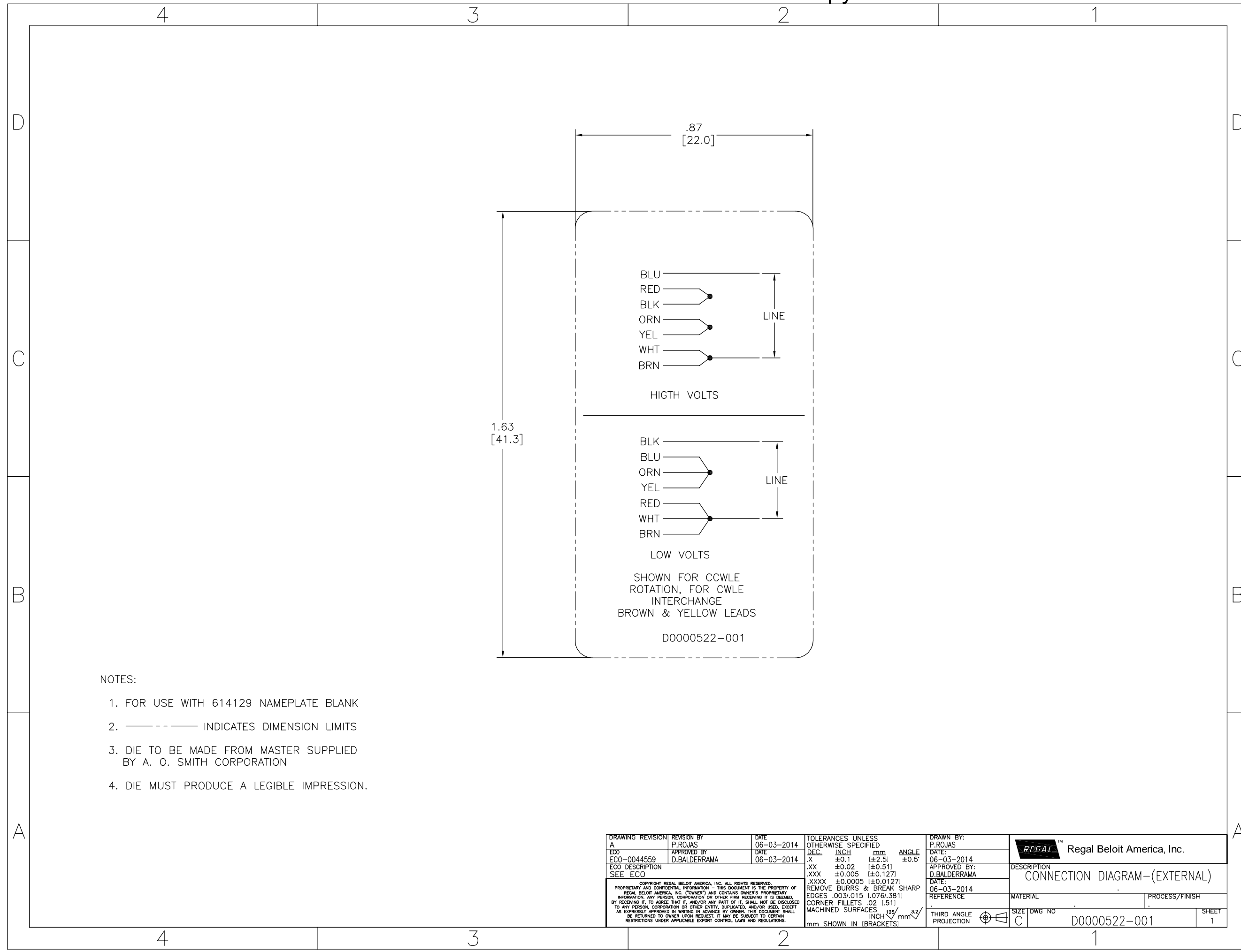
ENCLOSURE

CUSTOMER DISTRIBUTION SERVICES

DRAWING REVISION	REVISION BY	DATE
FRA	ABH	09/17/2025
ECO	APPROVED BY	DATE
ECR-0245824	KEP	09/17/2025
ECO DESCRIPTION		
REVISED DIM AS PER ECR		
<small>PROPRIETARY AND CONFIDENTIAL INFORMATION - THIS DOCUMENT IS THE PROPERTY OF REGAL-BELOIT CORPORATION (RBC) AND IS NOT TO BE REPRODUCED, COPIED, OR DISCLOSED TO ANY PERSON, CORPORATION OR OTHER ENTITY, WITHOUT THE WRITTEN APPROVAL OF RBC. RBC WILL BE RETURNED TO OWNER UPON REQUEST. IT MAY BE SUBJECT TO CERTAIN RESTRICTIONS UNDER APPLICABLE EXPORT CONTROL LAWS AND REGULATIONS.</small>		

DRAWN BY:	REGAL
DATE:	11-20-2006
APPROVED BY:	JFENG
DATE:	02-01-2007
PROCESS/FINISH	
THIRD ANGLE PROJECTION	

REGAL-BELOIT CORPORATION (RBC)	Regal Beloit America, Inc.
DESCRIPTION	MODEL-RFHP-48FR OUTLINE
MATERIAL	
SIZE	C
DWG NO	F48Y33A01
SHEET	1



NOTES:

1. FOR USE WITH 614129 NAMEPLATE BLANK
2. ----- INDICATES DIMENSION LIMITS
3. DIE TO BE MADE FROM MASTER SUPPLIED BY A. O. SMITH CORPORATION
4. DIE MUST PRODUCE A LEGIBLE IMPRESSION.

DRAWING REVISION A	REVISION BY P.ROJAS	DATE 06-03-2014	TOLERANCES UNLESS OTHERWISE SPECIFIED DEC. INCH mm ANGLE .X ±0.1 [±2.5] ±0.5° .XX ±0.02 [±0.51] .XXX ±0.005 [±0.127] .XXXX ±0.0005 [±0.0127]	DRAWN BY: P.ROJAS	Regal Beloit America, Inc.	
ECO ECO-0044559	APPROVED BY D.BALDERRAMA	DATE 06-03-2014	REMOVE BURRS & BREAK SHARP EDGES .003/.015 [0.076/.381] CORNER FILLETS .02 [1.51] MACHINED SURFACES $\sqrt{3.2}$ INCH/mm mm SHOWN IN [BRACKETS]	DATE: 06-03-2014		DESCRIPTION CONNECTION DIAGRAM--(EXTERNAL)
ECO DESCRIPTION SEE ECO				APPROVED BY: D.BALDERRAMA	MATERIAL	PROCESS/FINISH
<small>COPYRIGHT REGAL BELOIT AMERICA, INC. ALL RIGHTS RESERVED. PROPRIETARY AND CONFIDENTIAL INFORMATION - THIS DOCUMENT IS THE PROPERTY OF REGAL BELOIT AMERICA, INC. (OWNER) AND CONTAINS OWNER'S PROPRIETARY INFORMATION. ANY PERSON, CORPORATION OR OTHER FIRM RECEIVING IT IS DEEMED, BY RECEIVING IT, TO AGREE THAT IT, AND/OR ANY PART OF IT, SHALL NOT BE DISCLOSED TO ANY PERSON, CORPORATION OR OTHER ENTITY, DUPLICATED, AND/OR USED, EXCEPT AS EXPRESSLY APPROVED IN WRITING IN ADVANCE BY OWNER. THIS DOCUMENT SHALL BE RETURNED TO OWNER UPON REQUEST. IT MAY BE SUBJECT TO CERTAIN RESTRICTIONS UNDER APPLICABLE EXPORT CONTROL LAWS AND REGULATIONS.</small>				DATE: 06-03-2014	SIZE DWG NO C D0000522-001	SHEET 1