

# PRODUCT INFORMATION PACKET



Model No: C059A  
Catalog No: C059A  
Direct Drive Fan Motor, 1/4 HP, 1 Ph, 60 Hz, 115 V, 48Z Frame, TEAO



Regal and Century are trademarks of Regal Rexnord Corporation or one of its affiliated companies.  
©2025 Regal Rexnord Corporation, All Rights Reserved. MC017097E





**Nameplate Specifications**

Phase	<b>1</b>	Output HP	<b>1/4 Hp</b>
Output KW	<b>0.19 kW</b>	Voltage	<b>115 V</b>
Speed	<b>1100 rpm</b>	Service Factor	<b>1.0</b>
Frame	<b>48Z</b>	Enclosure	<b>Totally Enclosed Air Over</b>
Thermal Protection	<b>Automatic</b>	Ambient Temperature	<b>40 °C</b>
Frequency	<b>60 Hz</b>	Current	<b>3.4 A</b>
Duty	<b>Air Over</b>	Insulation Class	<b>B</b>
UL	<b>Recognized</b>	CSA	<b>Y</b>
CE	<b>N</b>	Number of Speeds	<b>2</b>

**Technical Specifications**

Electrical Type	<b>Permanent Split Capacitor</b>	Starting Method	<b>Across The Line</b>
Poles	<b>6</b>	Rotation	<b>Reversible</b>
Mounting	<b>Resilient Base</b>	Drive End Bearing	<b>Ball</b>
Opp Drive End Bearing	<b>Ball</b>	Frame Material	<b>Rolled Steel</b>
Shaft Type	<b>Flat</b>	Overall Length	<b>10.09 in</b>
Frame Length	<b>6.00 in</b>	Shaft Diameter	<b>0.500 in</b>
Shaft Extension	<b>2.97 in</b>		
Connection Drawing	<b>614131-385</b>	Outline Drawing	<b>C059A-S01</b>

This is an uncontrolled document once printed or downloaded and is subject to change without notice. Date Created:02/10/2025

GENERAL INFORMATION:

SHAFT RUNOUT: .001[.03] T.I.R. PER INCH LENGTH OF EXTENSION

BEARINGS: BALL

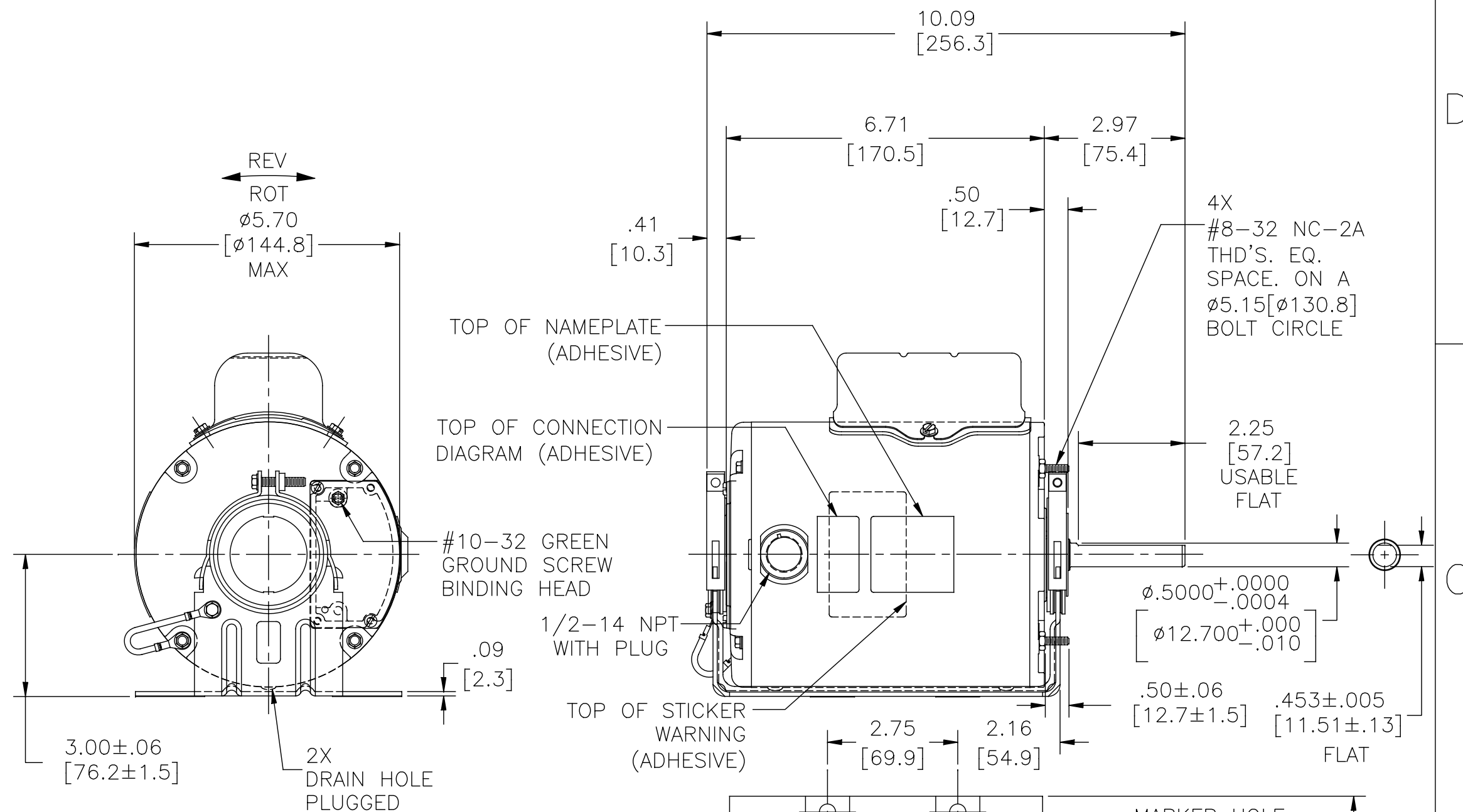
MOUNTING POSITION: HORIZONTAL

ELECTRICAL DATA:

OVERLOAD PROTECTOR: AUTOMATIC RESET (SENSATA 7AM 036)

LEADS: NO. 18 GA., .03[.8] THK. XLP 125°C INSUL.

GROUND LEAD: NO. 16 GA., .03[.8] THK., GREEN/YELLOW INSUL.



NOTES:

1. MOTOR TO BE SHIPPED CONNECTED FOR CCWLE ROTATION.

GREEN/YELLOW (GROUND)	CONNECTED TO BASE	#10 EYELET
YELLOW	CONNECTED TO CAPACITOR	.25[6.4] FLAG
PURPLE	CONNECTED TO CAPACITOR	.25[6.4] FLAG
WHITE	5.0/7.0 [127/178]	.25[6.4] FLAG
YELLOW	5.0/7.0 [127/178]	.25[6.4] FLAG
BROWN	5.0/7.0 [127/178]	.25[6.4] FLAG
BLUE	5.0/7.0 [127/178]	.25[6.4] FLAG
RED	5.0/7.0 [127/178]	.25[6.4] FLAG
COLOR	LENGTH	TERMINAL OR STRIP LENGTH

MAIN FRAME - OLE	ENCLOSED
END FRAME - OLE	ENCLOSED
MAIN FRAME - LE	ENCLOSED
END FRAME - LE	ENCLOSED

REGAL-BELOIT CORPORATION (RBC) PROVIDES TECHNICAL ASSISTANCE TO OUR CUSTOMERS IN SEVERAL AREAS. SINCE RBC DOES NOT RECEIVE ALL DATA CONCERNING THE USE AND APPLICATION OF THE MOTOR, THE SUITABILITY OF THE MOTOR FOR THE APPLICATION MUST BE DETERMINED BY THE CUSTOMER.

DIMENSIONS WITHOUT TOLERANCES ARE FOR REFERENCE ONLY.

CUSTOMER DISTRIBUTION SERVICE

NAMEPLATE DATA:	EXTERNAL CONNECTION DIAGRAM
MODEL NO.: F48AA62A01 CUST. P/N: C059A HP: 1/4 ROT.: REVERSIBLE RPM: 1100/2 SPD. TYPE: UF FRAME: 48Z VOLTS: 115 PH: 1 AMPS: 3.4 HZ: 60 INS.: B AMB.: 40° C DUTY: AIR OVER CAP.: 5 MFD/370 V ENCL: ENCLOSED UL LOGO CSA LOGO THERMALLY PROTECTED	<p>SHOWN FOR CCWLE ROTATION, FOR CWLE INTERCHANGE BROWN AND YELLOW LEADS</p>

614131-385

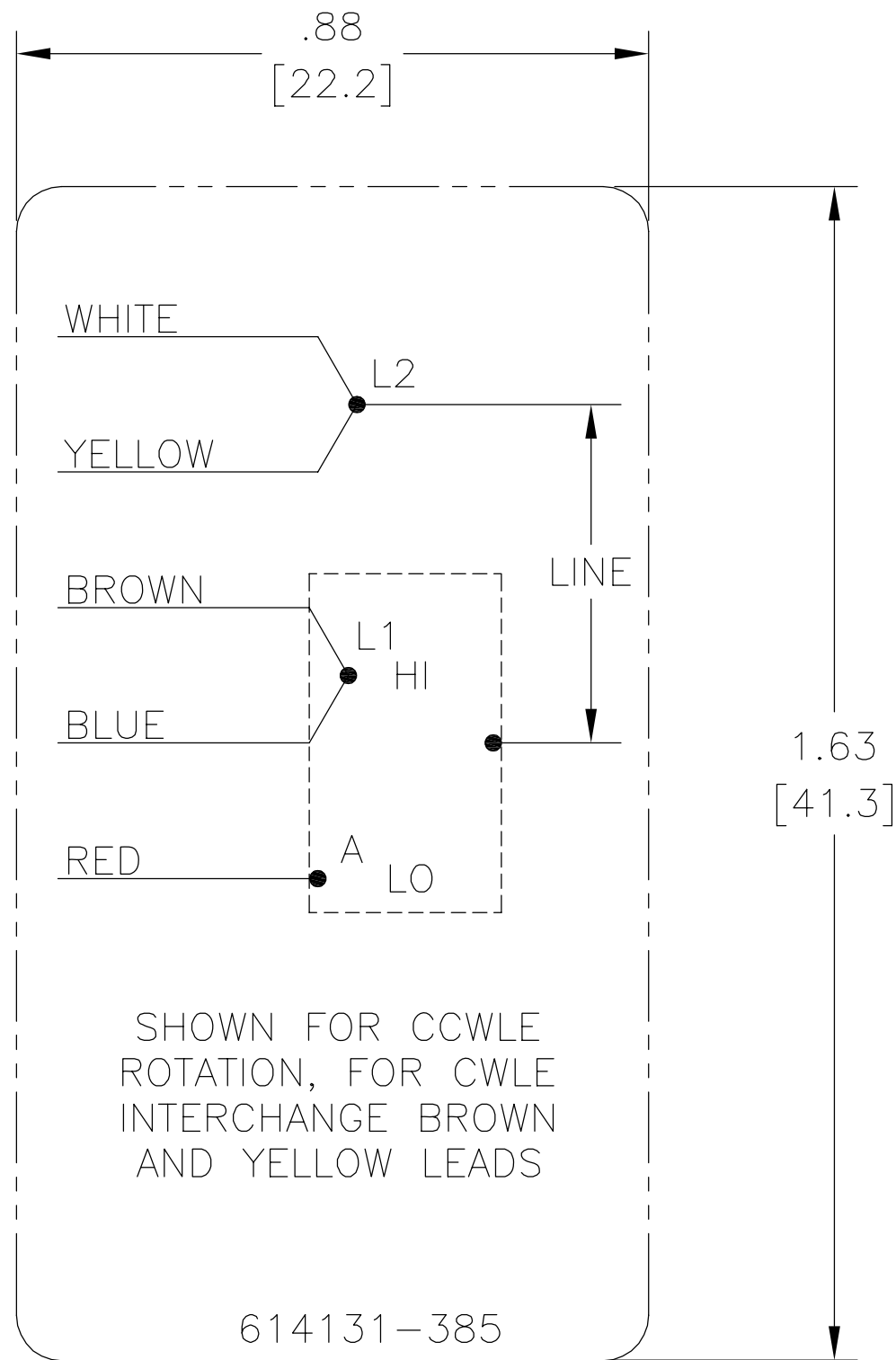
PERFORMANCE CURVE NO.	TORQUE @ 1100 RPM (25°C)	APPROVED SAMPLE	UL COMPONENT FILE #	CCN #	CSA FILE #	CLASS #
C32825	21.0 OZ. FT.	0701180D	E46412	PRGY2	LR43341	4211-01

DRAWING REVISION J	REVISION BY J. RUPERT	DATE 01-10-2017
ECO-0116161	APPROVED BY J. RUPERT	DATE 01-10-2017
ECO DESCRIPTION CORRECTED NAMEPLATE DATA		
COPYRIGHT REGAL BELOIT AMERICA, INC. ALL RIGHTS RESERVED. PROPRIETARY AND CONFIDENTIAL INFORMATION - THIS DOCUMENT IS THE PROPERTY OF REGAL BELOIT AMERICA, INC. (OWNER) AND CONTAINS OWNER'S PROPRIETARY INFORMATION. ANY PERSON, CORPORATION OR OTHER FIRM RECEIVING IT IS DEEMED, BY RECEIVING IT, TO AGREE THAT IT, AND/OR ANY PART OF IT, SHALL NOT BE DISCLOSED TO ANY PERSON, CORPORATION OR OTHER ENTITY, DUPLICATED, AND/OR USED, EXCEPT AS EXPRESSLY APPROVED IN WRITING IN ADVANCE BY OWNER. THIS DOCUMENT SHALL BE RETURNED TO OWNER UPON REQUEST. IT MAY BE SUBJECT TO CERTAIN RESTRICTIONS UNDER APPLICABLE EXPORT CONTROL LAWS AND REGULATIONS.		

DRAWN BY: MH	DATE: 02-01-2008
APPROVED BY: LX	DATE: 06-26-2008
PROCESS/FINISH	
THIRD ANGLE PROJECTION	

Regal Beloit America, Inc.
DESCRIPTION
MODEL-RFHP-48FR OUTLINE
MATERIAL
SIZE DWG NO
C C059A
SHEET 1

REV	ECO	REV BY	DATE	APPD	DATE
B	ECO-0024355	jrupert	02-14-2012	jrupert	02-14-2012




NOTES:

1. FOR USE WITH 614129 NAMEPLATE BLANK
2. ——— ——— INDICATES DIMENSION LIMITS
3. DIE TO BE MADE FROM MASTER SUPPLIED BY A. O. SMITH CORPORATION
4. DIE MUST PRODUCE A LEGIBLE IMPRESSION.

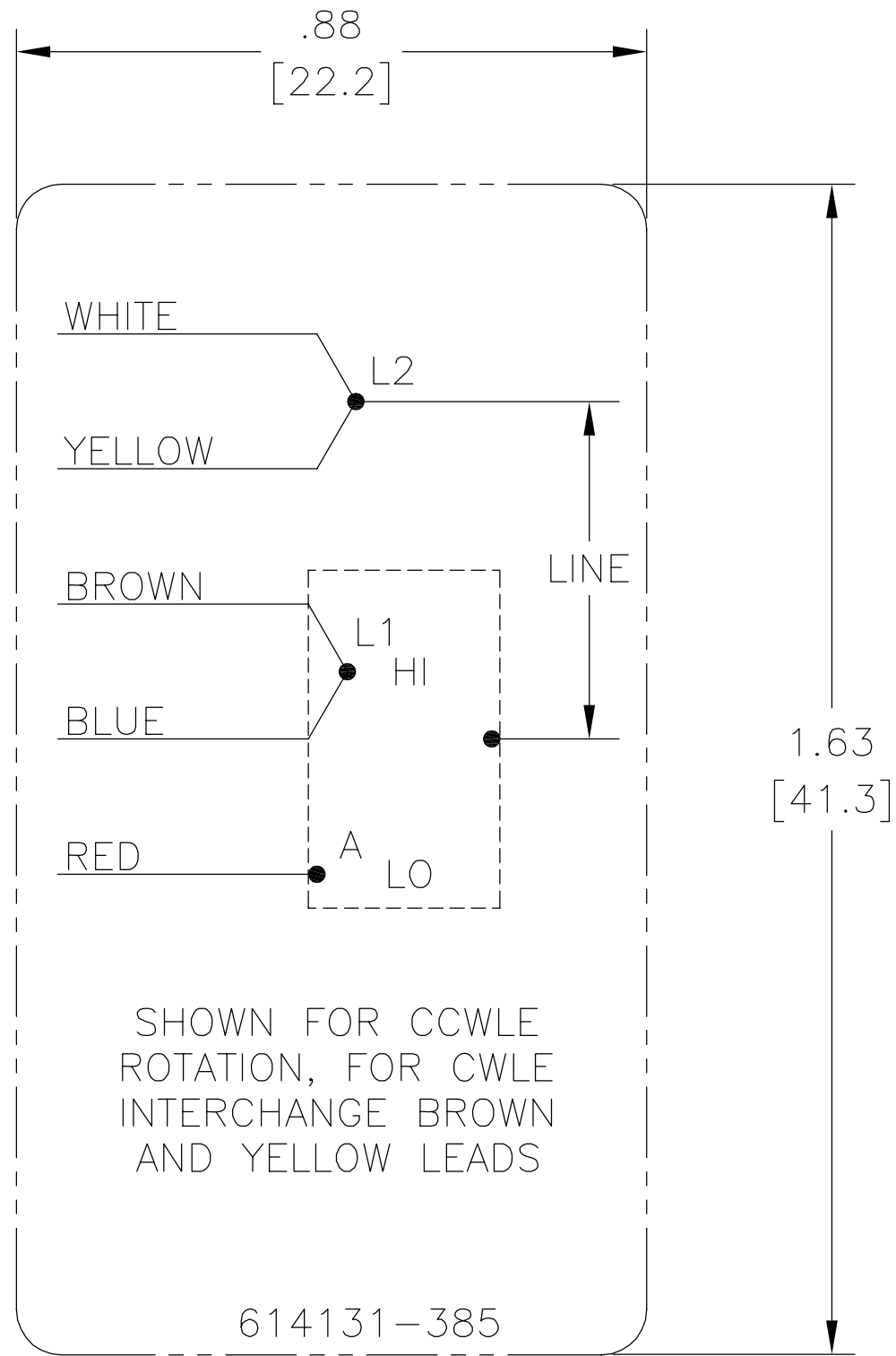
GEOMETRIC CHARACTERISTICS & SYMBOLS
□ FLATNESS
— STRAIGHTNESS
∠ ANGULARITY
⊥ PERPENDICULARITY (SQUARENESS)
// PARALLELISM
○ ROUNDNESS (CIRCULARITY)
⊘ CYLINDRICITY
△ PROFILE OF ANY SURFACE
∩ PROFILE OF ANY LINE
↑ RUNOUT
⊕ TRUE POSITION
◎ CONCENTRICITY
≡ SYMMETRY

UNLESS OTHERWISE SPECIFIED DIM. TOLERANCES ARE AS FOLLOWS:
INCH ±.1 ±.02 ±.005 ±.0005
mm ±0.5 ±0.13 ±0.013
ANG. ±.50 DEG
REMOVE BURRS & BREAK SHARP EDGES:
INCH .003-.015 mm 0.1-0.4
CORNER FILLETS TO:
INCH .020 mm 0.5
MACHINE SURFACES:
INCH 125 mm 3.2
METRIC DIMS. SHOWN IN [BRACKETS]

DR BY:	jrupert	02-14-2012
APPD:	jrupert	02-14-2012
THIRD ANGLE PROJECTION	⊕	EDS DATE 11-11-2011 FORMAT REV G
CONFIDENTIAL: THIS DRAWING AND ITS INFORMATION ARE THE EXCLUSIVE AND CONFIDENTIAL PROPERTY OF REGAL-BELOIT CORPORATION AND ARE NOT TO BE DISCLOSED, DUPLICATED, DISTRIBUTED OR OTHERWISE USED WITHOUT THE WRITTEN CONSENT OF REGAL-BELOIT CORPORATION. -ALL RIGHTS RESERVED.		

 <b>REGAL-BELOIT CORPORATION</b>	
DESCRIPTION CONN DIAGRAM-NAMEPLATE	
SIZE A	DWG NO 614131-385
SCALE NONE	SHEET 1

REVISION:	ECO	REVISADO POR:	FECHA:	APROBADO POR:	FECHA:
B	ECO-0024355	jrupert	02-14-2012	jrupert	02-14-2012



NOTAS:

1. ETIQUETA EN BLANCO 614129 PARA SU USO
2. — — — — — INDICA LOS LIMITES DE DIMENSION
3. EL DADO DE SER HECHO DE LA PIEZA MAESTRA SUMINISTRADA POR DE LA CORPORACION A. O. SMITH
4. EL DADO DEBE PRODUCIR IMPRESION LEGIBLE.

CARACTERISTICAS DE GEOMETRIA Y SIMBOLOS

- ▭ PLANICIDAD
- RECTITUD
- ∠ ANGULARIDAD
- ⊥ PERPENDICULARIDAD (A ESCUADRA)
- // PARALELISMO
- REDONDEZ (CIRCULARIDAD)
- ⊘ CILINDRICIDAD
- ⊖ PERFIL DE CUALQUIER SUPERFICIE
- ⌒ PERFIL DE CUALQUIER LINEA
- ↑ VARIACION
- ⊕ POSICION REAL
- ◎ CONCENTRICIDAD
- ≡ SIMETRIA

ASME Y14.5M 1994

A MENOS QUE SE ESPECIFIQUE DE OTRA MANERA, LAS TOLERANCIAS DE LAS DIMS; SON LAS SIGUIENTES:

	X	XX	XXX	XXXX
PULG	±.1	±.02	±.005	±.0005
mm	±0.5	±0.13	±0.013	

ANG. ±.50 GRADOS  
ELIMINAR REBABAS Y ORILLAS FILOSAS DEL BORDE.

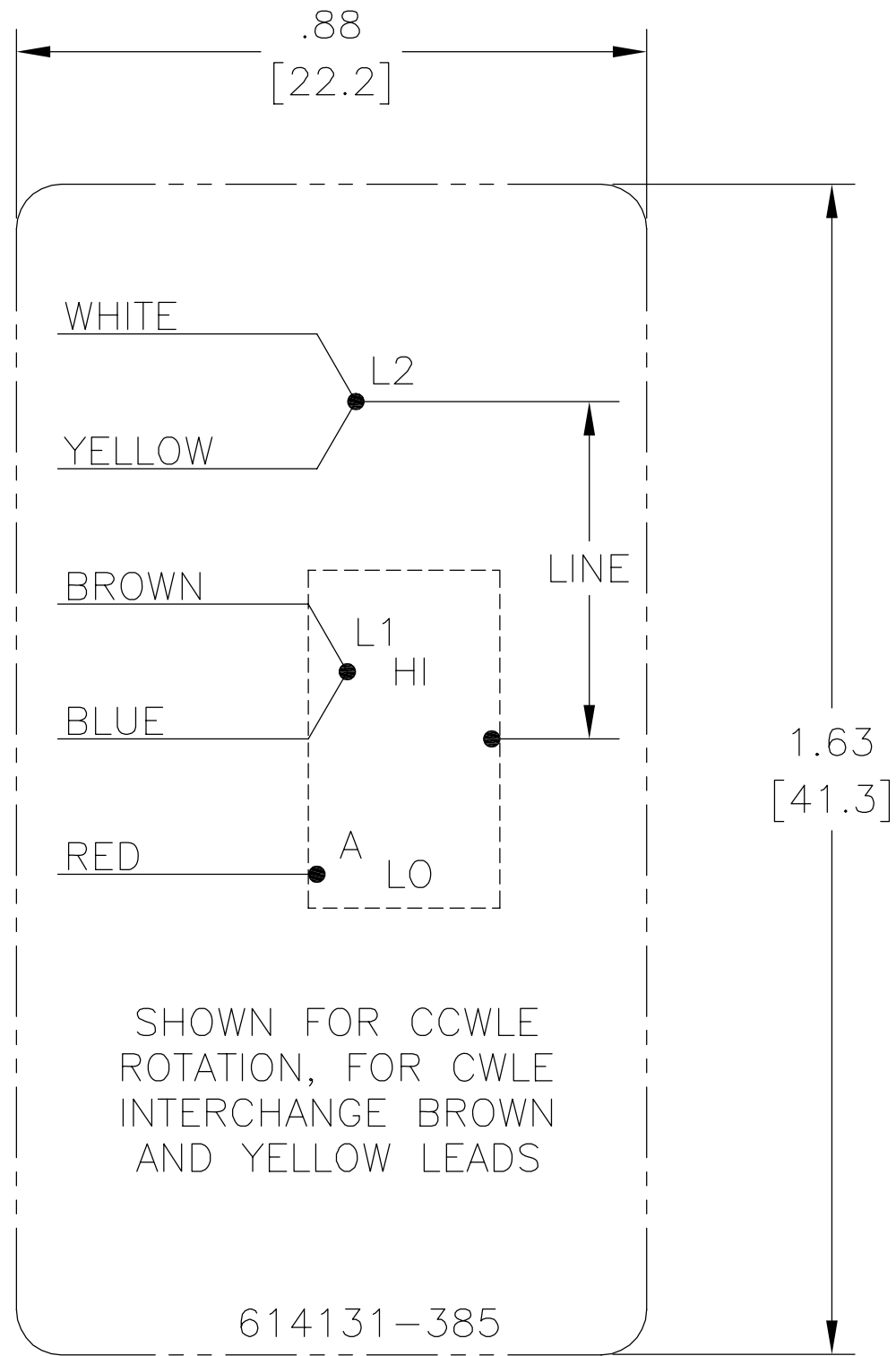
PULG .003-.015 mm 0.1-0.4  
FILETEAR ESQUINA: PULG .020 mm 0.5  
MAQUINAR SUPERFICIES  
PULG 125 mm 3.2

DIMS METRICAS MOSTRADAS [PARENTESIS]

DIBUJADO POR:	jrupert	02-14-2012
APROBADO POR:	jrupert	02-14-2012
TERCER ANGULO DE PROYECCION		FECHA EDS: 11-11-2011 REV. FORMATO: G
CONFIDENCIAL: ESTE DIBUJO Y SU INFORMACION SON PROPIEDAD DE USO EXCLUSIVO Y CONFIDENCIAL DE REGAL-BELOIT CORPORATION Y NO DEBERAN SER REVELADOS, DUPLICADOS, DISTRIBUIDOS O USARSE DE OTRA MANERA SIN EL CONSENTIMIENTO ESCRITO DE REGAL-BELOIT CORPORATION.-TODOS LOS DERECHOS RESERVADOS.		

REGAL-BELOIT CORPORATION	
DESCRIPCION: CONN DIAGRAM-NAMEPLATE	
TAMAÑO: A	NUMERO DE DIBUJO: 614131-385
ESCALA: NONE	HOJA: 1

版本	ECO	编制	日期	批准	日期
B	ECO-0024355	jrupert	02-14-2012	jrupert	02-14-2012



形位公差	除另有注明
□ 平面度	尺寸公差如下:
— 直线度	英寸 X XX XXX XXXX
∠ 倾斜度	英寸 ±.1 ±.02 ±.005 ±.0005
⊥ 垂直度	毫米 ±0.5 ±0.13 ±0.013
// 平行度	角度 ±.50 度
○ 圆度	清理毛刺和尖棱
⊘ 圆柱度	英寸 .003-.015 毫米 0.1-0.4
△ 面轮廓度	内圆角
∩ 线轮廓度	英寸 .020 毫米 0.5
↗ 圆跳动	表面粗糙度
⊕ 位置度	英制 125 米制 3.2
◎ 同轴度	米制尺寸显示在 [ ]
≡ 对称度	

ASME Y14.5M 1994
------------------

绘图:	jrupert	02-14-2012
批准:	jrupert	02-14-2012
第三角投影		图纸格式发布日期 11-11-2011 图纸格式版本 G
机密:本图纸及相关信息所有权归REGAL-BELOIT CORPORATION 未经REGAL-BELOIT CORPORATION书面授权,不得泄露、 复制、传播或作其他用途。--版权所有		

名称 CONN DIAGRAM-NAMEPLATE	
图幅 A	图号 614131-385
比例 NONE	页号 1