

PRODUCT INFORMATION PACKET



Model No: C102LES
Catalog No: C102LES

General Purpose Motor, 1/3 HP, 1 Ph, 60 Hz, 115/230 V, 1800 RPM, 48 Frame, ODP



Regal and Century are trademarks of Regal Rexnord Corporation or one of its affiliated companies.
©2022 Regal Rexnord Corporation, All Rights Reserved. MC017097E





Nameplate Specifications

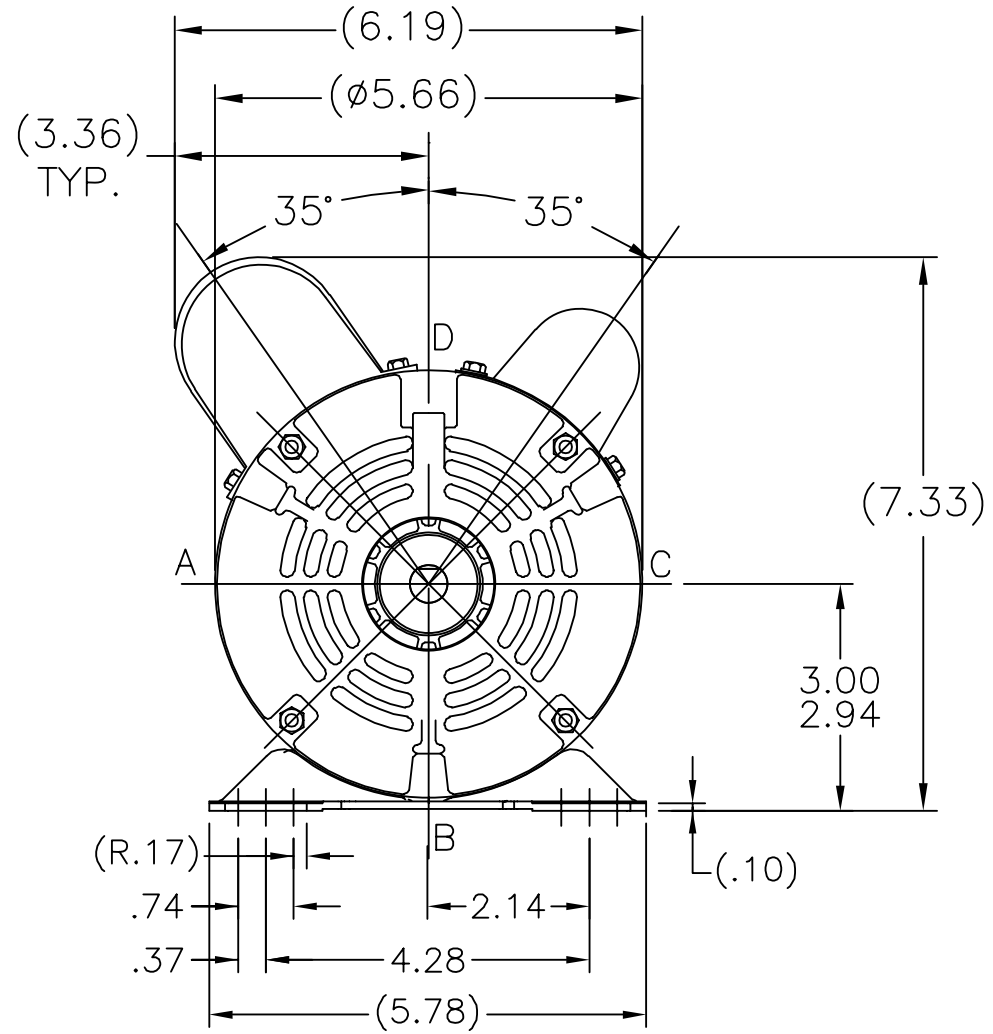
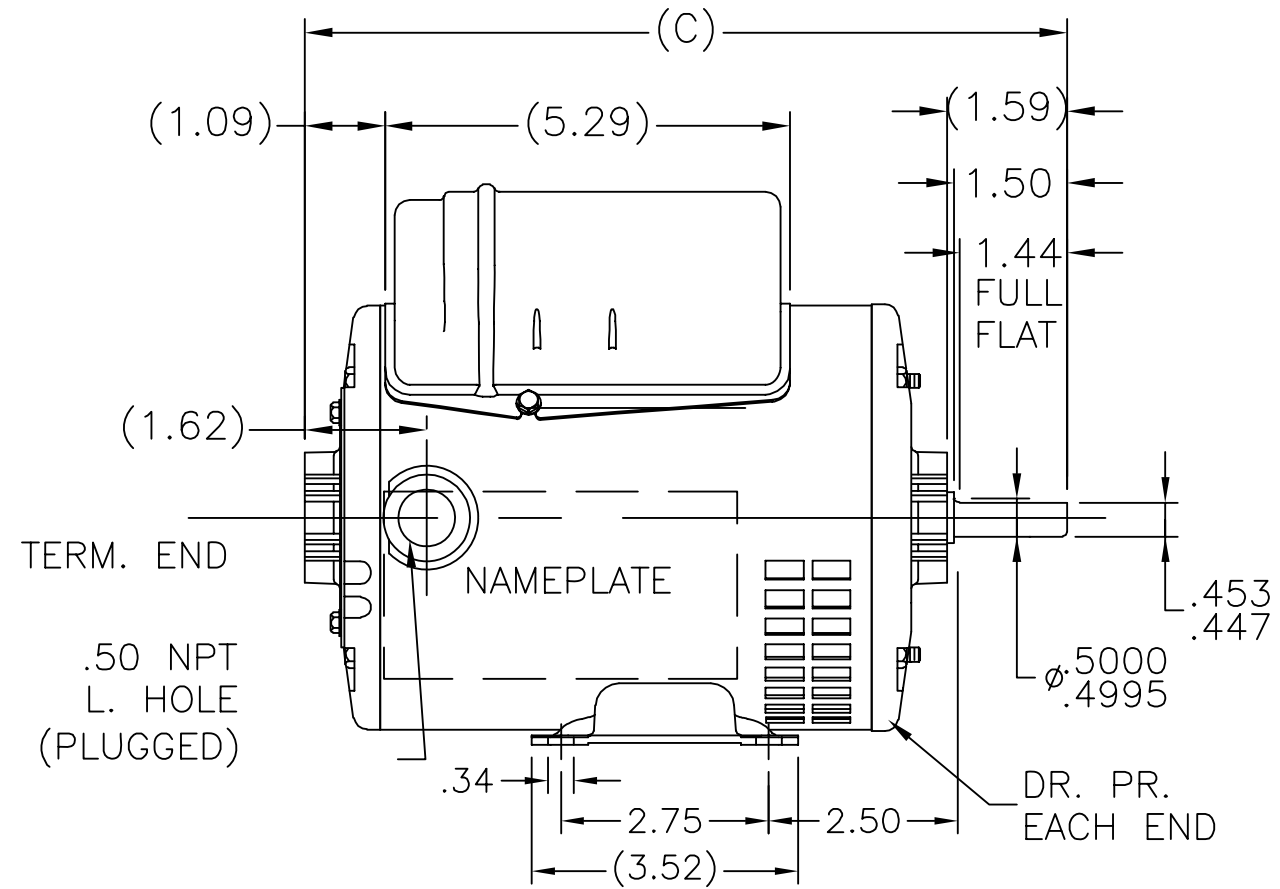
Output HP	1/3 Hp	Output KW	0.25 kW
Frequency	60 Hz	Voltage	115/230 V
Current	3.8/1.9 A	Speed	1725 rpm
Service Factor	1.35	Phase	1
Duty	Continuous	Insulation Class	B
Frame	48	Enclosure	Open Drip Proof
Thermal Protection	Automatic	Ambient Temperature	40 °C
UL	Recognized	CSA	Y
CE	Y	Number of Speeds	1

Technical Specifications


Electrical Type	Capacitor Start Capacitor Run	Starting Method	Across The Line
Poles	4	Rotation	Counterclockwise/Clockwise
Mounting	Rigid Base	Drive End Bearing	Ball
Opp Drive End Bearing	Ball	Frame Material	Rolled Steel
Shaft Type	Flat	Overall Length	10.59 in
Frame Length	6.38 in	Shaft Diameter	0.500 in
Shaft Extension	1.50 in		
Connection Drawing	9513517	Outline Drawing	SS404128

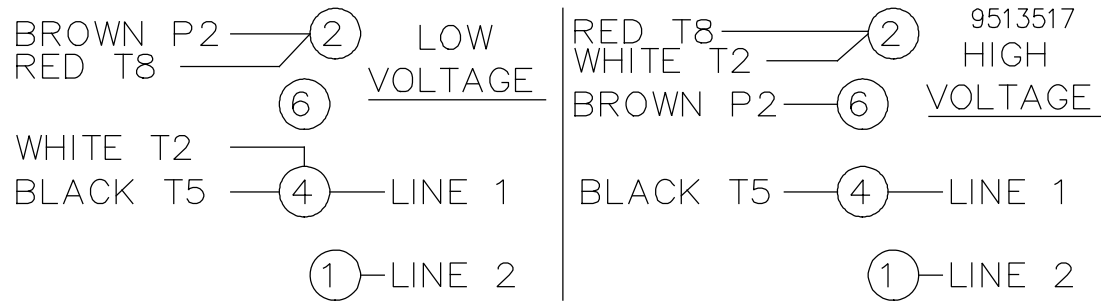
This is an uncontrolled document once printed or downloaded and is subject to change without notice. Date Created:11/28/2022

SS404128



DASH	FR	C	DASH	FR	C
625	48	9.84	725	48	10.84
650	48	10.09	750	48	11.09
675	48	10.34	775	48	11.34
700	48	10.59	800	48	11.59

		TOLERANCES UNLESS SPECIFIED		 REGAL-BELOIT CORPORATION		DRAWN PVR 12/22/14	
		DEC.	INCHES			CHK SM 12/22/2014	
		.X	±.1	TITLE OUTLINE 48 FRAME		APPD	
		.XX	±.03			SCALE 1:1	
		.XXX	±.005			REF SS404113	
A	CREATED NEW DRAWING	PVR 12/22/2014	VS	.XXXX	±.0005	MAT'L.	
NO.	REVISION	BY & DATE	CHK	ANG	±7'30"	FINISH	
THIS DRAWING IN DESIGN AND DETAIL IS OUR PROPERTY AND MUST NOT BE USED EXCEPT IN CONNECTION WITH OUR WORK ALL RIGHTS OF DESIGN AND INVENTION ARE RESERVED THIS IS AN ELECTRONICALLY GENERATED DOCUMENT - DO NOT SCALE THIS PRINT			RFP	CAD FILE SS404128		SIZE	DRAWING NO. PAGE 1 OF 1 REV.
			DIST	WP	A	SS404128	A



ROTATION CCW-OPE TO REVERSE EITHER VOLTAGE
 INTERCHANGE BLACK(T5) WITH RED(T8) LEADS

				TOLERANCES UNLESS SPECIFIED			DRAWN TOM 06-21-1988		
				DEC.	INCHES		CHK	GK 06-21-1988	
				.X	±.1		APPD	FG 06-21-1988	
3	ADDED T MARKINGS	DS 07/19/2018	VC	.XX	±.02	TITLE CONNECTION DIAGRAM	SCALE 1=1		
2	REDRAWN IN AUTOCAD	TAT 10-22-2004	ML	.XXX	±.005		REF		
1	NEW DRAWING	TOM 06-24-1988		.XXXX	±.0005		FMF		
NO.	REVISION	BY & DATE	CHK	ANG	±7'30"	FINISH	PREV		
THIS DRAWING IN DESIGN AND DETAIL IS OUR PROPERTY AND MUST NOT BE USED EXCEPT IN CONNECTION WITH OUR WORK ALL RIGHTS OF DESIGN AND INVENTION ARE RESERVED THIS IS AN ELECTRONICALLY GENERATED DOCUMENT - DO NOT SCALE THIS PRINT				RFP	CAD FILE 9513517		SIZE	DRAWING NO. PAGE OF	REV.
				DIST			A	9513517 3	3