



Nameplate Specifications

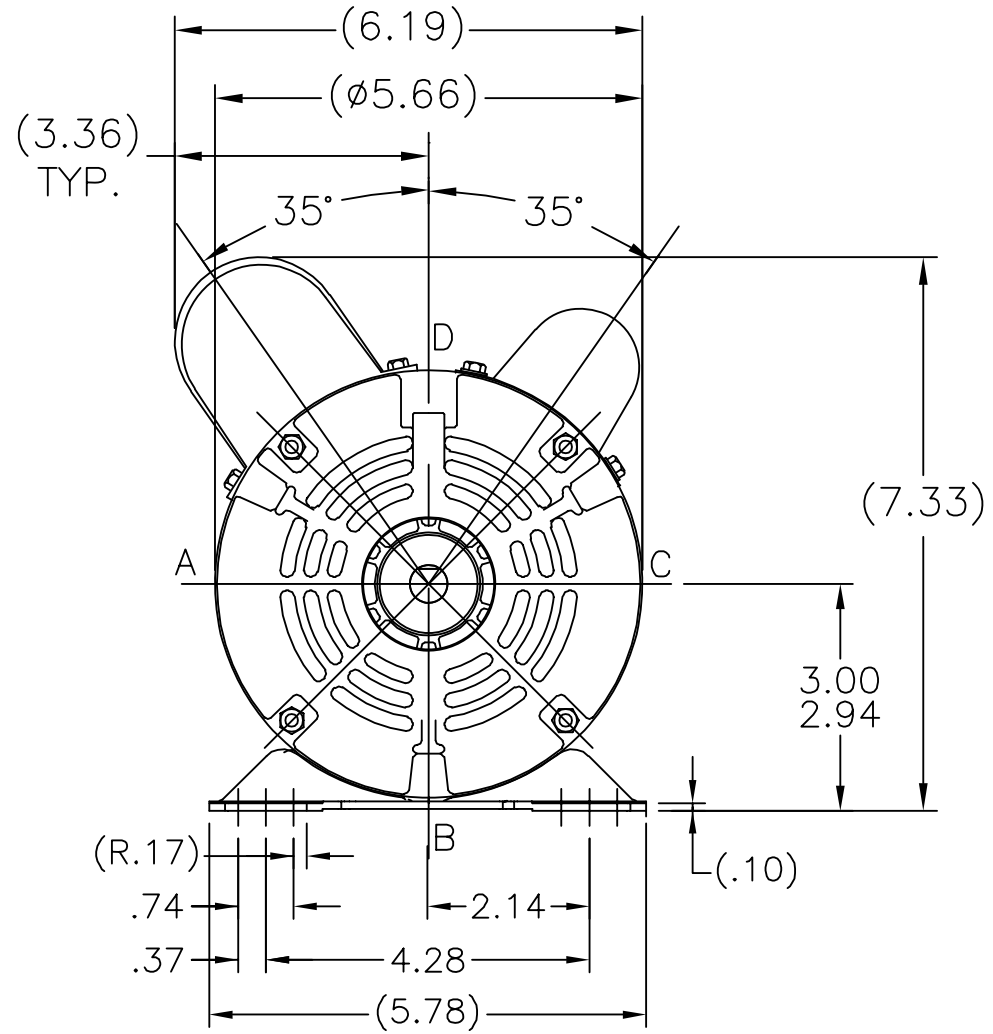
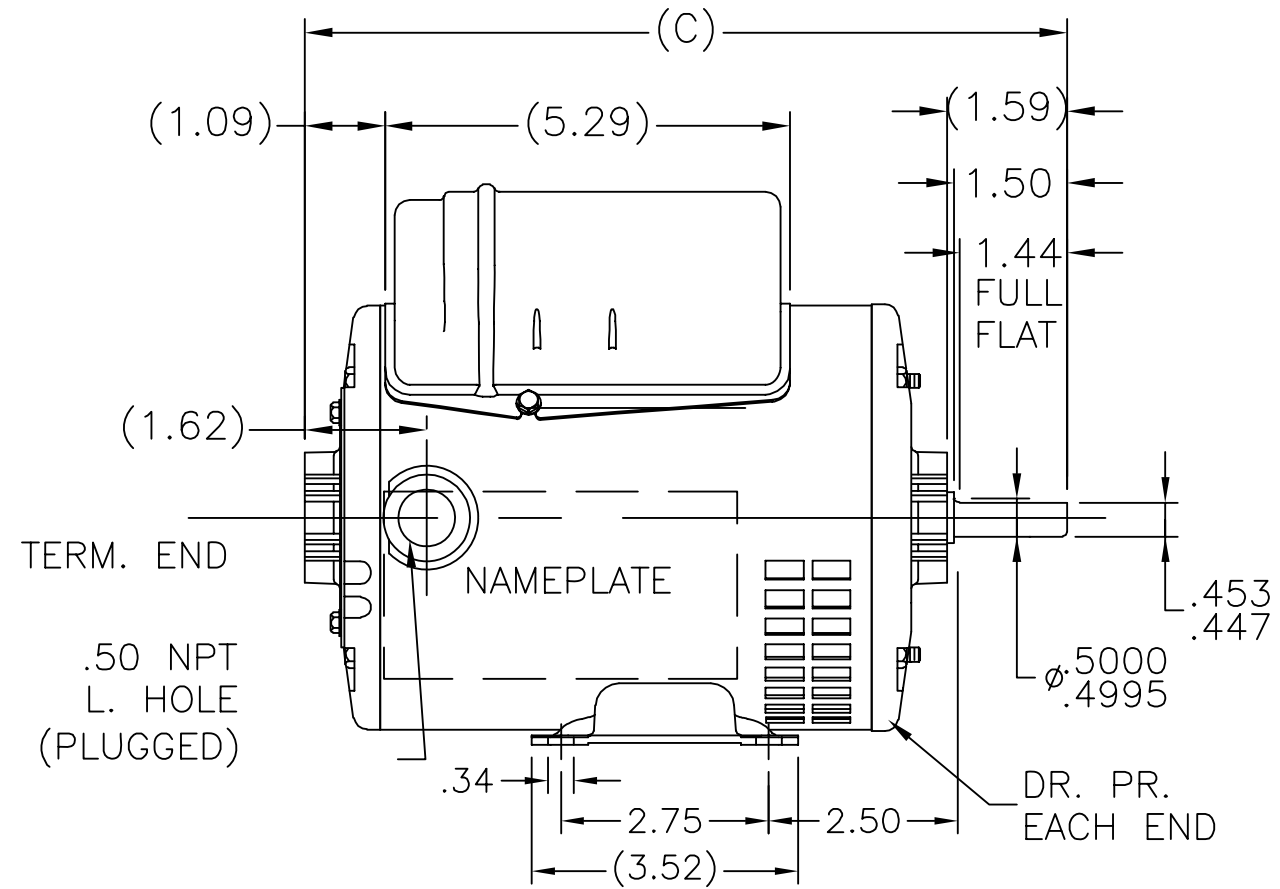
Output HP	1/3 Hp	Output KW	0.25 kW
Frequency	60 Hz	Voltage	115/230 V
Current	3.8/1.9 A	Speed	1725 rpm
Service Factor	1.35	Phase	1
Duty	Continuous	Insulation Class	B
Frame	48	Enclosure	Drip Proof
Thermal Protection	No Protection	Ambient Temperature	40 °C
UL	Recognized	CSA	Y
CE	Y	Number of Speeds	1

Technical Specifications


Electrical Type	Capacitor Start Capacitor Run	Starting Method	Across The Line
Poles	4	Rotation	Reversible Counterclockwise
Mounting	Rigid Base	Drive End Bearing	Ball
Opp Drive End Bearing	Ball	Frame Material	Rolled Steel
Shaft Type	Flat	Overall Length	10.59 in
Frame Length	6.38 in	Shaft Diameter	0.500 in
Shaft Extension	1.59 in		
Connection Drawing	A-EE9002J	Outline Drawing	SS404128

This is an uncontrolled document once printed or downloaded and is subject to change without notice. Date Created:11/28/2022

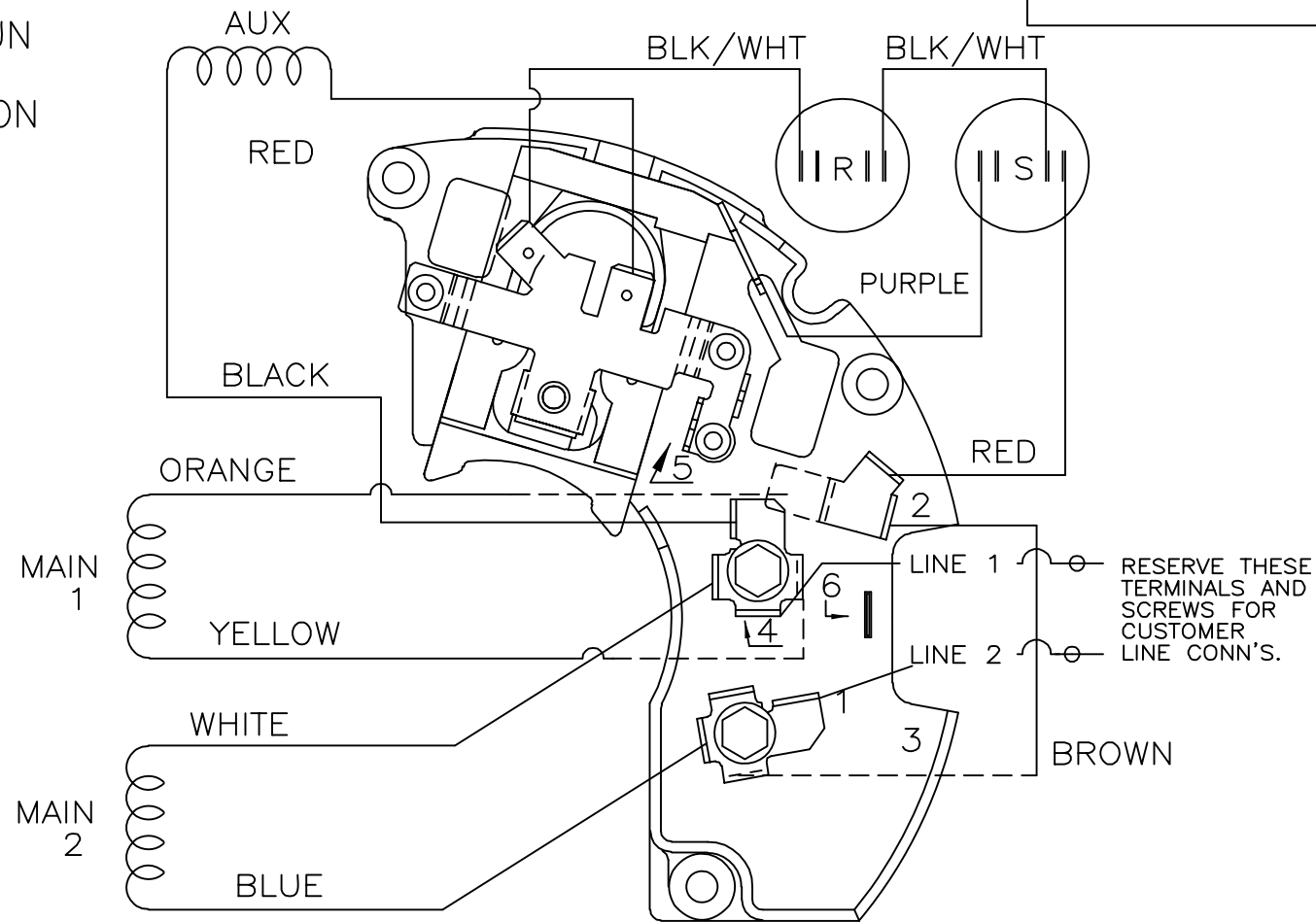
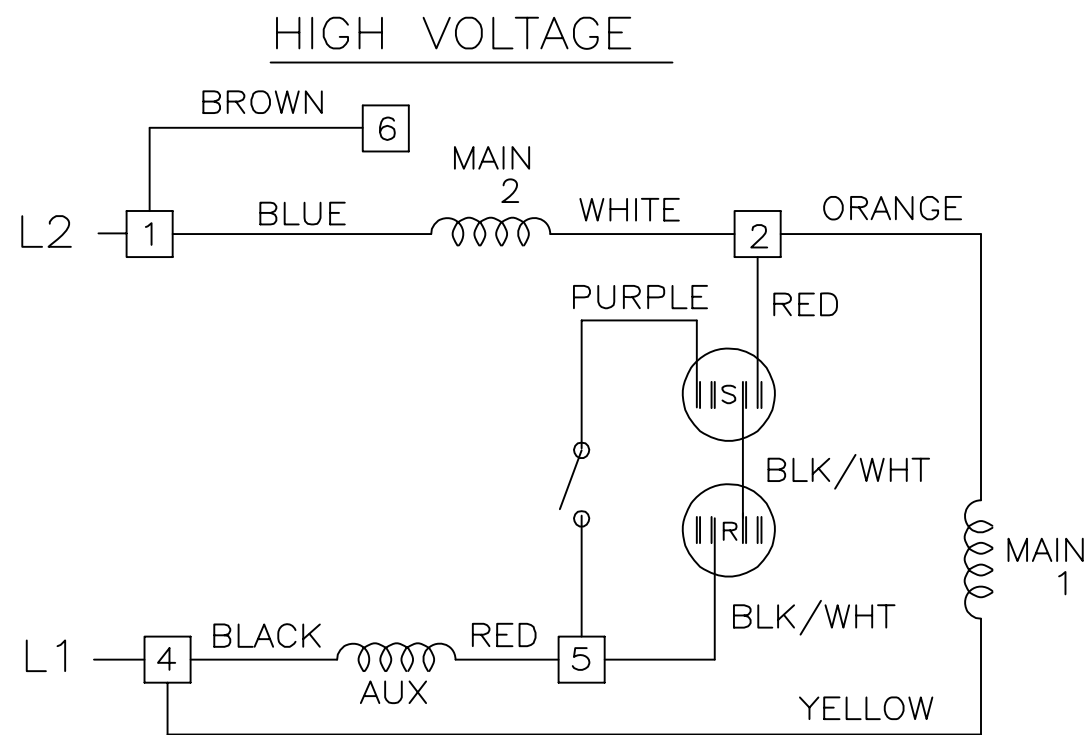
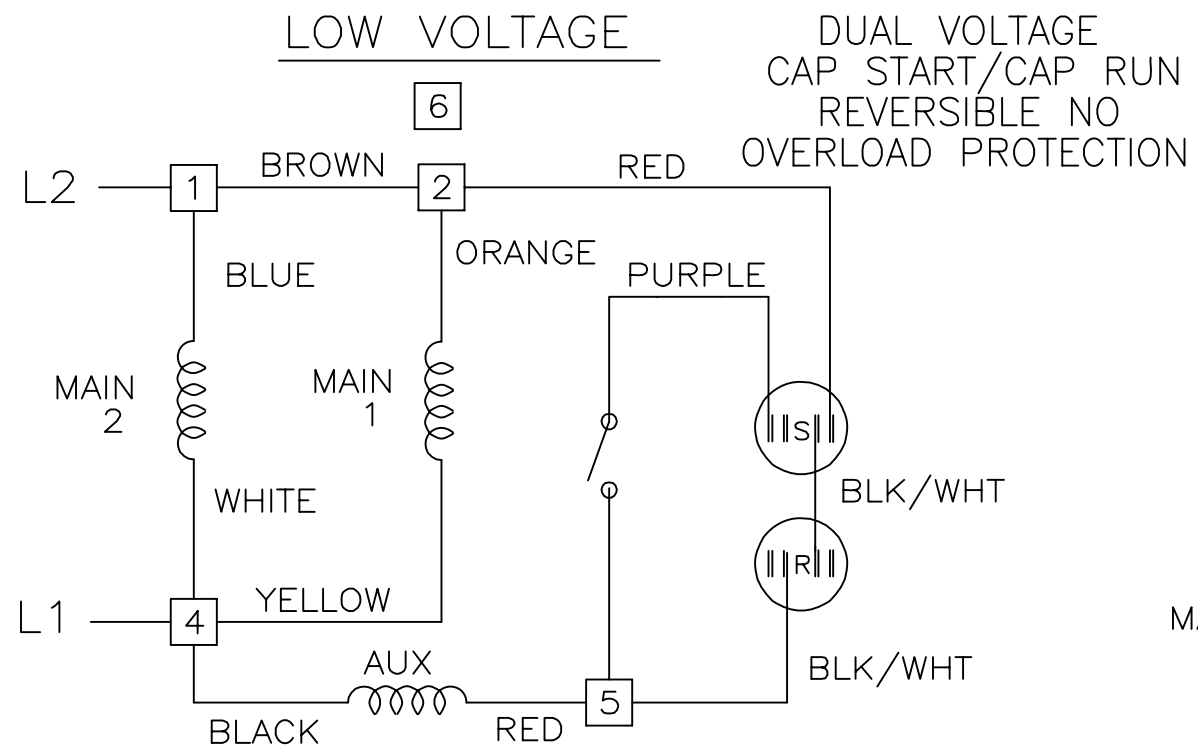
SS404128



DASH	FR	C	DASH	FR	C
625	48	9.84	725	48	10.84
650	48	10.09	750	48	11.09
675	48	10.34	775	48	11.34
700	48	10.59	800	48	11.59

		TOLERANCES UNLESS SPECIFIED		 REGAL-BELOIT CORPORATION		DRAWN PVR 12/22/14	
		DEC.	INCHES			CHK SM 12/22/2014	
		.X	±.1	TITLE OUTLINE 48 FRAME		APPD	
		.XX	±.03			SCALE 1:1	
		.XXX	±.005			REF SS404113	
A	CREATED NEW DRAWING	PVR 12/22/2014	VS	.XXXX	±.0005	MAT'L.	
NO.	REVISION	BY & DATE	CHK	ANG	±7'30"	FINISH	
THIS DRAWING IN DESIGN AND DETAIL IS OUR PROPERTY AND MUST NOT BE USED EXCEPT IN CONNECTION WITH OUR WORK ALL RIGHTS OF DESIGN AND INVENTION ARE RESERVED THIS IS AN ELECTRONICALLY GENERATED DOCUMENT - DO NOT SCALE THIS PRINT				RFP	CAD FILE SS404128	SIZE A	DRAWING NO. PAGE 1 OF 1 REV. A
				DIST WP		SS404128	

EE9002J



VIEWING TERM END

LOW VOLTAGE CCW ROTATION SHOWN.

FOR HIGH VOLTAGE
CONNECT BROWN TERM 2 TO TERM 6.
CONNECT WHITE TERM 4 TO TERM 2.

TO REVERSE ROTATION EITHER
VOLTAGE INTERCHANGE RED
LEAD WITH BLACK LEAD.

DASH LINES INDICATE LEADS CONNECTED
TO MOTOR SIDE OF SWITCH.

RESERVE THESE
TERMINALS AND
SCREWS FOR
CUSTOMER
LINE CONN'S.

		TOLERANCES UNLESS SPECIFIED		MARATHON ELECTRIC	DRAWN SVL 6/17/2013
		DEC.	INCHES		CHK
		.X	± -	TITLE CONNECTION DIAGRAM 48 FR. - DUAL VOLTAGE REVERSIBLE	APPD
		.XX	± -		SCALE NTS
		.XXX	± -		REF EE9002J
		.XXXX	± -		FMF PR132489
2	TEMPLATE LOGO CHANGED FROM MARATHON TO DAYTON	KR	05/16/2014	VS	PREV
NO.	REVISION	BY & DATE	CHK	ANG ± -	
THIS DRAWING IN DESIGN AND DETAIL IS OUR PROPERTY AND MUST NOT BE USED EXCEPT IN CONNECTION WITH OUR WORK ALL RIGHTS OF DESIGN AND INVENTION ARE RESERVED THIS IS AN ELECTRONICALLY GENERATED DOCUMENT - DO NOT SCALE THIS PRINT				RFP	CAD FILE ee9002j
				DIST	SIZE A
					DRAWING NO. EE9002J
					PAGE 1 OF 2
					REV. 02