



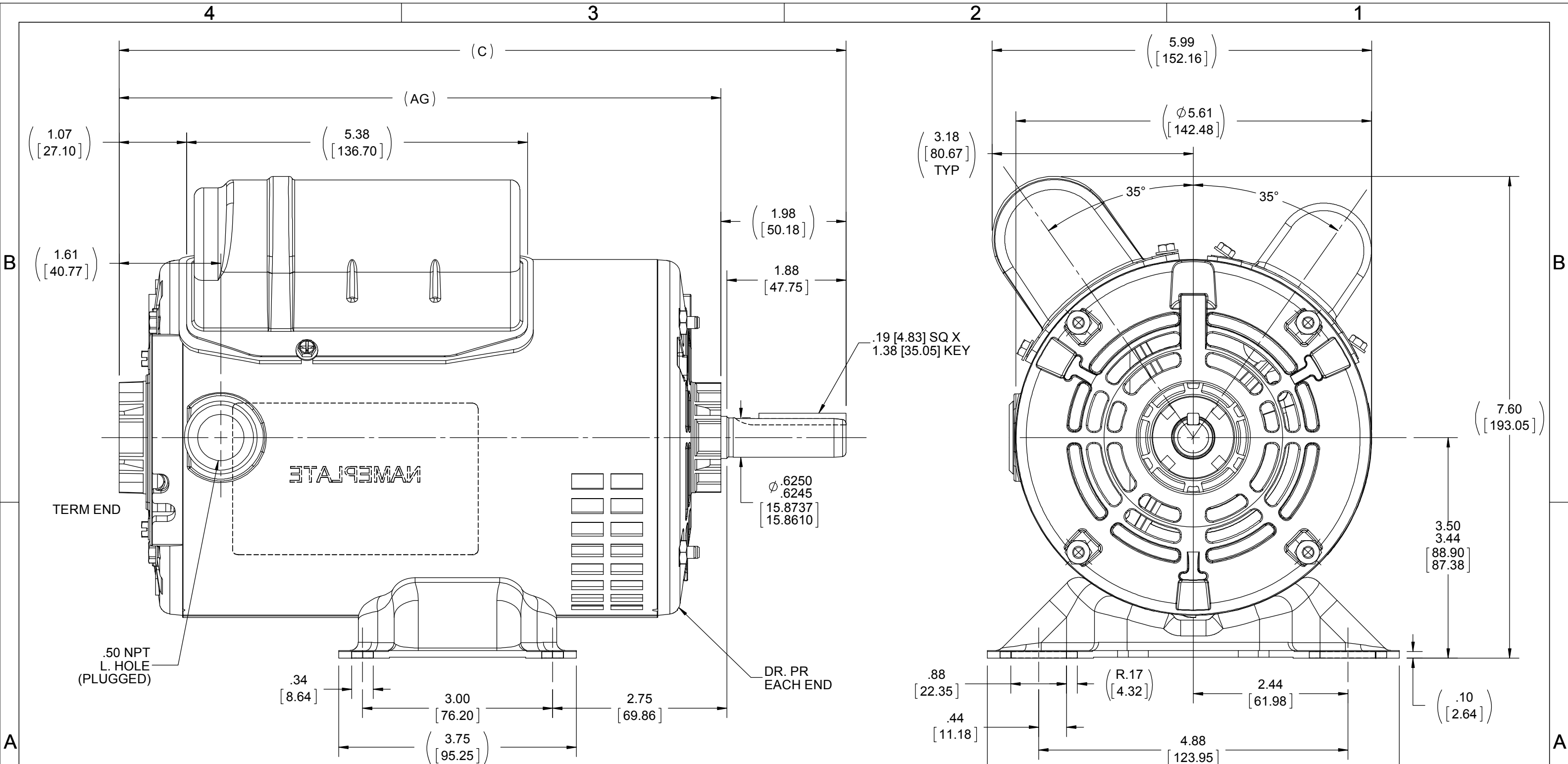
Nameplate Specifications

Output HP	1/4 Hp	Output KW	0.19 kW
Frequency	60 Hz	Voltage	115/230 V
Current	2.4/1.2 A	Speed	1725 rpm
Service Factor	1.35	Phase	1
Duty	Continuous	Insulation Class	B
Frame	56	Enclosure	Open Drip Proof
Thermal Protection	Automatic	Ambient Temperature	40 °C
UL	Recognized	CSA	Y
CE	Y	Number of Speeds	1

Technical Specifications

Electrical Type	Capacitor Start Capacitor Run	Starting Method	Across The Line
Poles	4	Rotation	Counterclockwise/Clockwise
Mounting	Rigid Base	Drive End Bearing	Ball
Opp Drive End Bearing	Ball	Frame Material	Rolled Steel
Shaft Type	Keyed	Overall Length	10.72 in
Frame Length	7.13 in	Shaft Diameter	0.625 in
Shaft Extension	1.97 in		
Outline Drawing	SS404114	Connection Drawing	A-EE9002F

This is an uncontrolled document once printed or downloaded and is subject to change without notice. Date Created:10/07/2021



DASH	C	AG
625	10.22 [259.59]	8.25 [209.55]
650	10.47 [265.94]	8.50 [215.90]
675	10.72 [272.29]	8.75 [222.25]
700	10.97 [278.64]	9.00 [228.60]
725	11.22 [284.98]	9.25 [234.95]
750	11.47 [291.34]	9.50 [241.30]
775	11.72 [297.69]	9.75 [247.65]
800	11.97 [304.04]	10.00 [254.00]

DRAWING REVISION D
 ECO ECO-0165533
 ECO DESCRIPTION
 OUTLINE CONVERSION PROJECT
 COPYRIGHT (PER REVISION DATE) REGAL BELOIT AMERICA, INC. ALL RIGHTS RESERVED. PROPRIETARY AND CONFIDENTIAL INFORMATION - THIS DOCUMENT IS THE PROPERTY OF REGAL BELOIT AMERICA, INC. ("OWNER") AND CONTAINS OWNER'S PROPRIETARY INFORMATION. ANY PERSON, CORPORATION OR OTHER FIRM RECEIVING IT IS DEEMED, BY RECEIVING IT, TO AGREE THAT IT, AND/OR ANY PART OF IT, SHALL NOT BE DISCLOSED TO ANY PERSON, CORPORATION OR OTHER ENTITY, DUPLICATED, AND/OR USED, EXCEPT AS EXPRESSLY APPROVED IN WRITING IN ADVANCE BY OWNER. THIS DOCUMENT SHALL BE RETURNED TO OWNER UPON REQUEST. IT MAY BE SUBJECT TO CERTAIN RESTRICTIONS UNDER APPLICABLE EXPORT CONTROL LAWS AND REGULATIONS.

REVISION BY S.MUDDA
 APPROVED BY D.SURYAWANSHI
 DATE 04/15/2019
 REV DATE/© DATE 12/11/2018
 TOLERANCES (EXCEPT AS NOTED):
 DEC. INCH mm ANGLE
 .X ±0.1 [±3] ±7' 30"
 .XX ±0.03 [±0.8]
 .XXX ±0.005 [±0.13]
 .XXXX ±0.0005 [±0.013]
 REMOVE BURRS & BREAK SHARP EDGES: .003/.015 [0.08/.38] X 45°
 CORNER FILLETS: R.02 [5]
 MACHINED SURFACES: 200/ INCH mm 5.1
 mm DIMENSIONS IN [BRACKETS] ARE FOR REFERENCE ONLY

DRAWN BY JAH
 DATE 11/21/2014
 APPROVED BY
 DATE
 REFERENCE SS404113/SS75609
 THIRD ANGLE PROJECTION

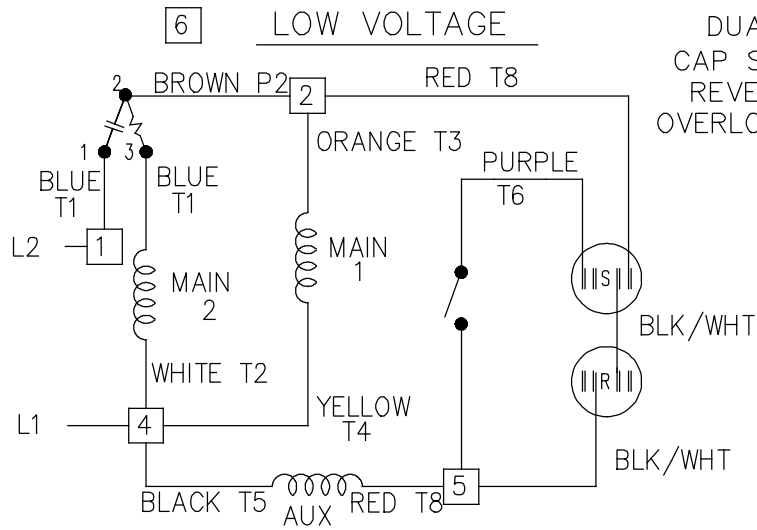
REGAL Regal Beloit America, Inc.

DESCRIPTION
OUTLINE
 56 FRAME

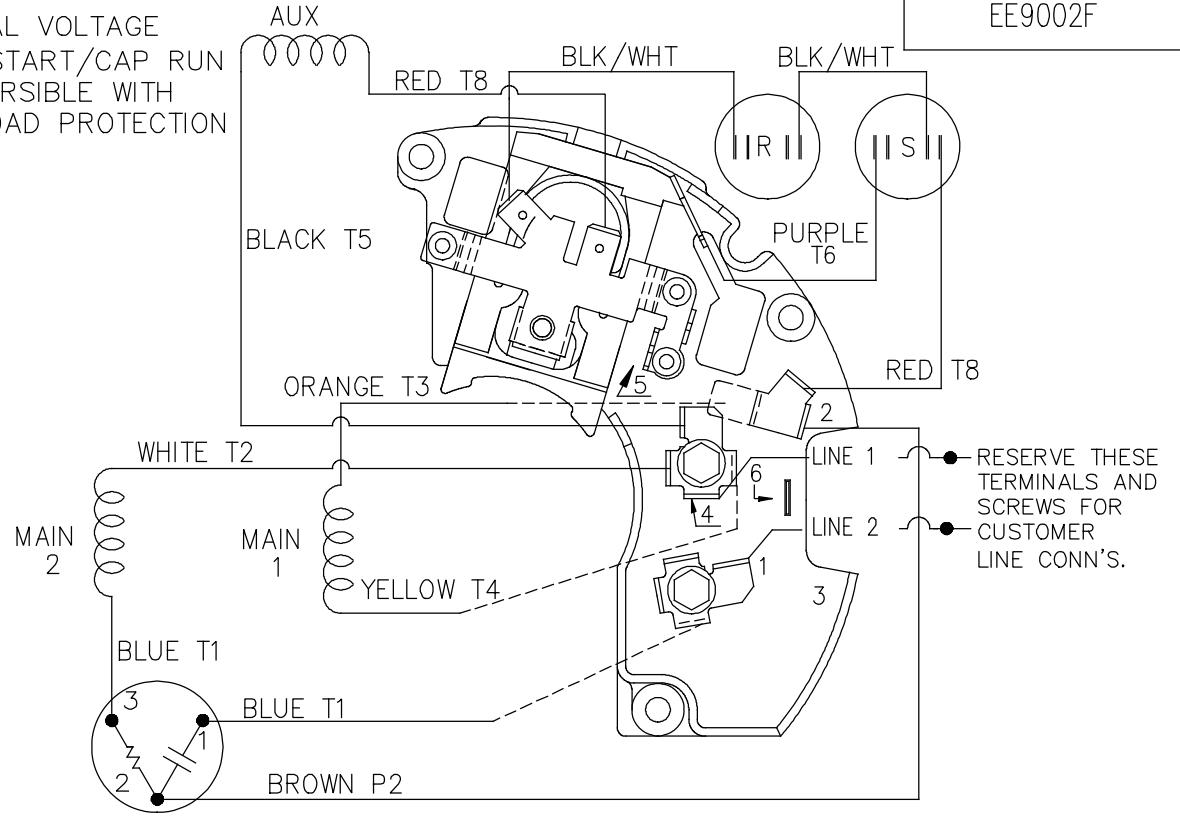
MATERIAL
 SS404114

PROCESS/FINISH

SIZE **B** DRAWING NUMBER **SS404114** SHEET 1 OF 1



DUAL VOLTAGE
CAP START/CAP RUN
REVERSIBLE WITH
OVERLOAD PROTECTION



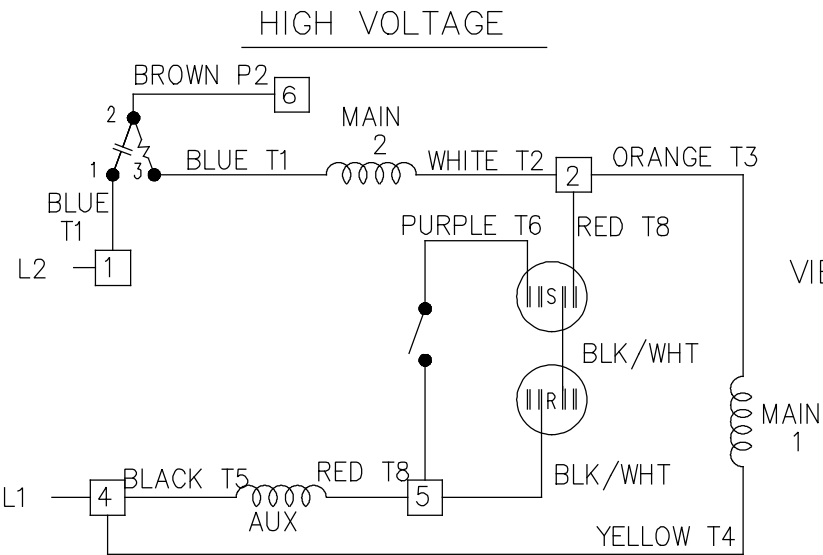
VIEWING TERM END

LOW VOLTAGE CCW ROTATION SHOWN.


FOR HIGH VOLTAGE
CONNECT BROWN TERM 2 TO TERM 6.
CONNECT WHITE TERM 4 TO TERM 2.

TO REVERSE ROTATION EITHER
VOLTAGE INTERCHANGE RED
LEAD WITH BLACK LEAD.

DASH LINES INDICATE LEADS CONNECTED
TO MOTOR SIDE OF SWITCH.



RESERVE THESE
TERMINALS AND
SCREWS FOR
CUSTOMER
LINE CONN'S.

6	ADDED T MARKINGS	DS 07/19/2018	VC	TOLERANCES UNLESS SPECIFIED		 Regal Beloit America, Inc.	DRAWN ML 02-11-1988
5	REVISED LINE 2 LOCATION	RM 01-28-1991		DEC.	INCHES		CHK FG 02-11-1988
4	UPDATED SCHEMATIC PER CN 6014	DA 08-01-1990		.X	±	APPD DNR 03-11-1988	
3	RED LEAD FROM AUX WAS ON ANGLE TERM. PURPLE LEAD WAS RED	DA 07-02-1990		.XX	±	TITLE CONNECTION DIAGRAM	SCALE 1=1
2	ADDED CUSTOMER CONNECTION NOTE. CN 6011	BW 08-03-1989		.XXX	±	48 FR. DUAL VOLTAGE REVERSIBLE	REF
NO.	REVISION	BY & DATE	CHK	ANG	±	MAT'L.	FMF
THIS DRAWING IN DESIGN AND DETAIL IS OUR PROPERTY AND MUST NOT BE USED EXCEPT IN CONNECTION WITH OUR WORK ALL RIGHTS OF DESIGN AND INVENTION ARE RESERVED THIS IS AN ELECTRONICALLY GENERATED DOCUMENT - DO NOT SCALE THIS PRINT			RFP	CAD FILE EE9002F		FINISH	PREV
			DIST	WP	SIZE A		DRAWING NO. EE9002F
					PAGE OF		REV. 6