

# PRODUCT INFORMATION PACKET



Model No: C210ES  
Catalog No: C210ES  
Replaced by E116704.00 once inventory depleted - 2,1725,DP,56H,1/60/115/230  
General Purpose Motors



Regal and Century are trademarks of Regal Rexnord Corporation or one of its affiliated companies.  
©2021 Regal Rexnord Corporation, All Rights Reserved. MC017097E





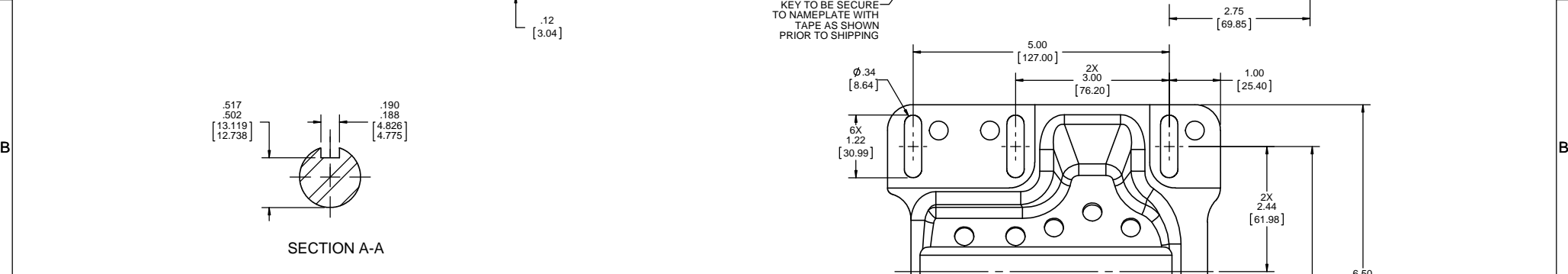
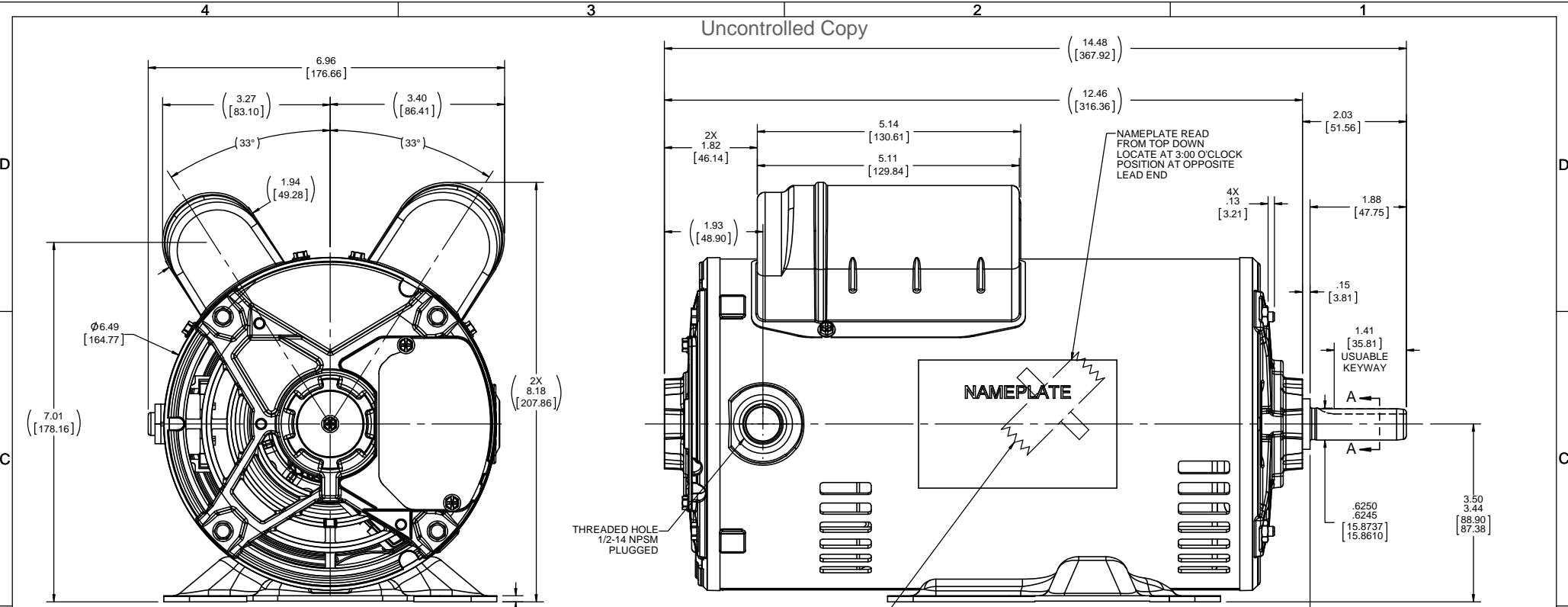
**Nameplate Specifications**

|                    |                            |                     |                   |
|--------------------|----------------------------|---------------------|-------------------|
| Output HP          | <b>2 Hp</b>                | Output KW           | <b>1.5 kW</b>     |
| Frequency          | <b>60 Hz</b>               | Voltage             | <b>115/230 V</b>  |
| Current            | <b>16/8.0 A</b>            | Speed               | <b>1725 rpm</b>   |
| Service Factor     | <b>1.15</b>                | Phase               | <b>1</b>          |
| Duty               | <b>Continuous</b>          | Insulation Class    | <b>B</b>          |
| Frame              | <b>56H</b>                 | Enclosure           | <b>Drip Proof</b> |
| Thermal Protection | <b>Thermally Protected</b> | Ambient Temperature | <b>40 °C</b>      |
| UL                 | <b>Recognized</b>          | CSA                 | <b>Y</b>          |
| CE                 | <b>Y</b>                   | Number of Speeds    | <b>1</b>          |

**Technical Specifications**

|                       |                                      |                   |                                   |
|-----------------------|--------------------------------------|-------------------|-----------------------------------|
| Electrical Type       | <b>Capacitor Start Capacitor Run</b> | Starting Method   | <b>Across The Line</b>            |
| Poles                 | <b>4</b>                             | Rotation          | <b>Selective Counterclockwise</b> |
| Mounting              | <b>Rigid Base</b>                    | Drive End Bearing | <b>Ball</b>                       |
| Opp Drive End Bearing | <b>Ball</b>                          | Frame Material    | <b>Rolled Steel</b>               |
| Shaft Type            | <b>NEMA 56</b>                       | Overall Length    | <b>14.48 in</b>                   |
| Frame Length          | <b>10.15 in</b>                      | Shaft Diameter    | <b>0.625 in</b>                   |
| Shaft Extension       | <b>1.88 in</b>                       |                   |                                   |
| Connection Drawing    | <b>DD10114-001</b>                   | Outline Drawing   | <b>OL56100241-001</b>             |

This is an uncontrolled document once printed or downloaded and is subject to change without notice. Date Created:10/12/2021



|   |  |             |      |  |         |                      |                            |                        |
|---|--|-------------|------|--|---------|----------------------|----------------------------|------------------------|
| DRAWING REVISION<br>A   |  | REVISION BY | DATE | TOLERANCES UNLESS OTHERWISE SPECIFIED:                         |         | DRAWN BY<br>E. VILLA | Regal Beloit America, Inc. |                        |
| ECO-0119768   |  | APPROVED BY | DATE | DEC.   | INCH    | mm                   |                            | ANGLE                  |
| ECO DESCRIPTION<br>NEW MODEL RELEASE  |  |             |      | X  | ±0.1    | [±2.5]               | 30.5°                      |                        |
| <small>           COPYRIGHT REGAL BELOIT AMERICA, INC. ALL RIGHTS RESERVED.<br/>           PROPRIETARY AND CONFIDENTIAL INFORMATION - THIS DOCUMENT IS THE PROPERTY OF REGAL BELOIT AMERICA, INC. FURNISHING AND CONTAINING OWNER'S PROPRIETARY INFORMATION. ANY PERSON, CORPORATION OR OTHER FIRM RECEIVING IT IS DEEMED, BY RECEIVING IT, TO AGREE THAT IT, AND/OR ANY PART OF IT, SHALL NOT BE DISCLOSED TO ANY PERSON, CORPORATION OR OTHER ENTITY, DUPLICATED, AND/OR USED, EXCEPT AS EXPRESSLY APPROVED IN WRITING IN ADVANCE BY OWNER. THIS DOCUMENT SHALL BE RETURNED TO OWNER UPON REQUEST. IT MAY BE SUBJECT TO CERTAIN RESTRICTIONS UNDER APPLICABLE EXPORT CONTROL LAWS AND REGULATIONS.         </small> |  |             |      | XX   | ±0.03   | [±0.76]              |                            |                        |
|   |  |             |      | XXX  | ±0.005  | [±0.127]             |                            |                        |
|   |  |             |      | XXXX   | ±0.0005 | [±0.0127]            |                            |                        |
|   |  |             |      | REMOVE BURRS & BREAK SHARP EDGES: .003/.015 [0.076/.381] X 45° |         |                      |                            | DESCRIPTION<br>OUTLINE |
|   |  |             |      | CORNER FILLETS: R.02 [51]                                      |         |                      |                            | 56FR.ODP.3-PHASE,RIGID |
|   |  |             |      | MACHINED SURFACES: .125 /mm 3/2                                |         |                      |                            | MATERIAL               |
|   |  |             |      | mm SHOWN IN [BRACKETS]   |         |                      |                            | PROCESS/FINISH         |
|   |  |             |      | THIRD ANGLE PROJECTION   |         |                      |                            | SIZE                   |
|   |  |             |      | DRAWING NUMBER   |         |                      |                            | SHEET                  |
|   |  |             |      | C  |         |                      |                            | 1 OF 1                 |
|   |  |             |      | OL56100241-001   |         |                      |                            |                        |

### LOW VOLTAGE

### HIGH VOLTAGE

BROWN P2 ——— (5)

BROWN P2 ——— (4)

WHITE T2 ——— (2)

WHITE T2 ——— (5)

RED T8 ——— (5)

RED T8 ——— (5)

BLACK T10 ——— (A)

BLACK T10 ——— (A)

(1) — L1

(1) — L1

(2) — L2


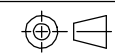
(2) — L2

DD10114-001

## ROTATION CCW-LE TO REVERSE EITHER VOLTAGE INTERCHANGE RED T8 AND BLACK T10 LEADS

PLATE: 41365

SLOT: 22

|   |                              |                    |  |                             |  |                 |
|---|------------------------------|--------------------|--|-----------------------------|--|-----------------|
| DRAWING REVISION<br>C   | REVISION BY<br>D.SURYAWANSHI | DATE<br>06/28/2018 | TOLERANCES UNLESS OTHERWISE SPECIFIED:<br>DEC. INCH mm ANGLE<br>.X ±0.1 [±2.5] ±0.5°<br>.XX ±0.01 [±0.25]<br>.XXX ±0.005 [±0.127]<br>.XXXX ±0.0005 [±0.0127] | DRAWN BY<br>G. RODRIGUEZ    |  Regal Beloit America, Inc. |                 |
| ECO<br>ECO-0147902  | APPROVED BY<br>CD            | DATE<br>06/28/2018 |  | DATE<br>11-01-2017          |  |                 |
| ECO DESCRIPTION<br>ADDED T10 IN LOW VOLTAGE   |                              |                    | REMOVE BURRS & BREAK SHARP EDGES: .003/.015 [.076/.381] X 45°<br>CORNER FILLETS: R.02 [.51]<br>MACHINED SURFACES: 125/3.2 INCH/mm                            | APPROVED BY<br>J. A. MORENO | DESCRIPTION<br>CONN DIAGRAM-NAMEPLATE  |                 |
| <small>COPYRIGHT REGAL BELOIT AMERICA, INC. ALL RIGHTS RESERVED. PROPRIETARY AND CONFIDENTIAL INFORMATION - THIS DOCUMENT IS THE PROPERTY OF REGAL BELOIT AMERICA, INC. ("OWNER") AND CONTAINS OWNER'S PROPRIETARY INFORMATION. ANY PERSON, CORPORATION OR OTHER FIRM RECEIVING IT IS DEEMED, BY RECEIVING IT, TO AGREE THAT IT, AND/OR ANY PART OF IT, SHALL NOT BE DISCLOSED TO ANY PERSON, CORPORATION OR OTHER ENTITY, DUPLICATED, AND/OR USED, EXCEPT AS EXPRESSLY APPROVED IN WRITING IN ADVANCE BY OWNER. THIS DOCUMENT SHALL BE RETURNED TO OWNER UPON REQUEST. IT MAY BE SUBJECT TO CERTAIN RESTRICTIONS UNDER APPLICABLE EXPORT CONTROL LAWS AND REGULATIONS.</small> |                              |                    | THIRD ANGLE PROJECTION    | REFERENCE                   | MATERIAL   | PROCESS/FINISH  |
|   |                              |                    | mm SHOWN IN [BRACKETS]   | SIZE<br>B                   | DRAWING NUMBER<br>DD10114-001  | SHEET<br>1 OF 1 |