

PRODUCT INFORMATION PACKET



Model No: C223V1
Catalog No: C223V1
1/3 HP General Purpose Motor, 1 phase, 1800 RPM, 115/208-230 V, 56 Frame, TENV
General Purpose Motors



Regal and Century are trademarks of Regal Rexnord Corporation or one of its affiliated companies.
©2021 Regal Rexnord Corporation, All Rights Reserved. MC017097E





Nameplate Specifications

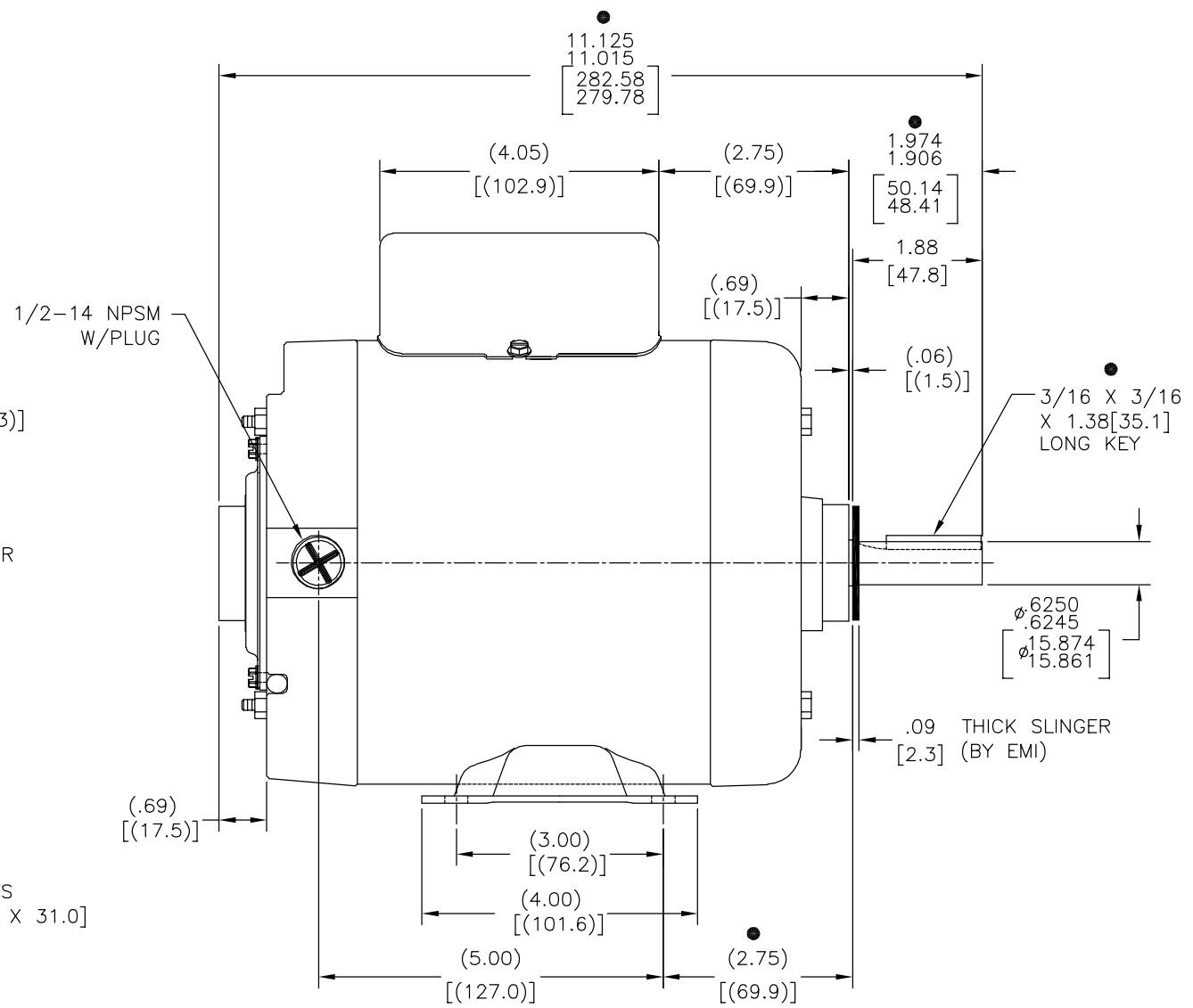
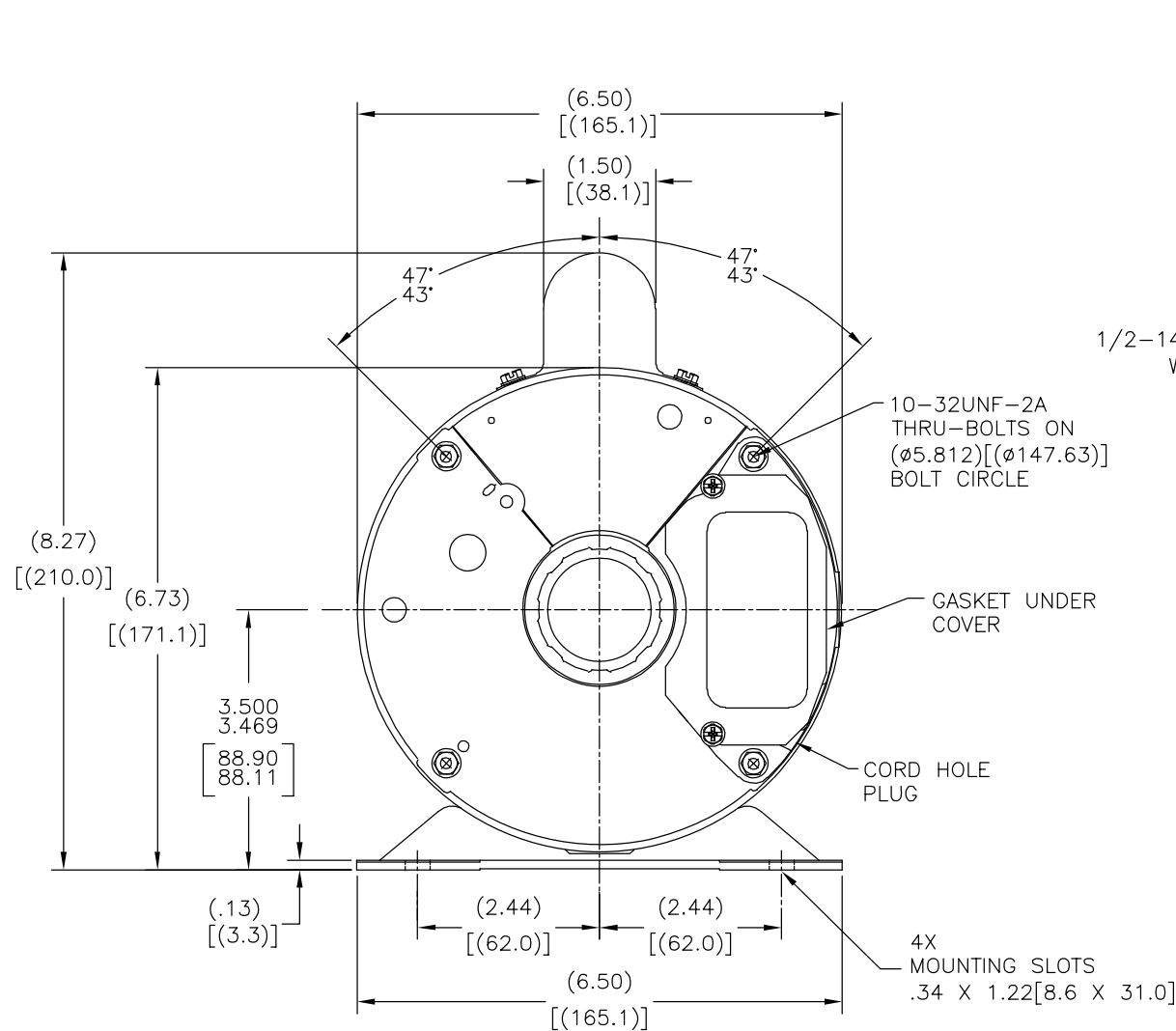
Output HP	1/3 Hp	Output KW	0.25 kW
Frequency	60 Hz	Voltage	115/208-230 V
Current	5.2/2.5-2.6 A	Speed	1725 rpm
Service Factor	1.15	Phase	1
Duty	Continuous	Insulation Class	B
Frame	J56	Enclosure	Totally Enclosed Non Ventilated
Thermal Protection	Thermally Protected	Ambient Temperature	40 °C
UL	Recognized	CSA	Y
CE	N	Number of Speeds	1

Technical Specifications

Electrical Type	Capacitor Start, Induction Run, Single Or Dual Voltage	Starting Method	Across The Line
Poles	4	Rotation	Reversible Counterclockwise
Mounting	Rigid Base	Drive End Bearing	Ball
Opp Drive End Bearing	Ball	Frame Material	Rolled Steel
Shaft Type	Keyed	Overall Length	11.13 in
Frame Length	5.13 in	Shaft Diameter	0.625 in
Shaft Extension	1.97 in		
Outline Drawing	C223V1-S01	Connection Drawing	17050317.PCX

This is an uncontrolled document once printed or downloaded and is subject to change without notice. Date Created:10/07/2021

FRAME	TYPE
J56	CS



● = CRITICAL DIMENSION

DRAWING REVISION A	REVISION BY A. BAUGHMAN	DATE 02-10-2015	TOLERANCES UNLESS OTHERWISE SPECIFIED DEC. INCH mm ANGLE	DRAWN BY: A. BAUGHMAN	Regal Beloit America, Inc.
ECO ECO-0071424	APPROVED BY A. BAUGHMAN	DATE 02-10-2015	.XX ±0.02 [±0.51] .XXX ±0.005 [±0.127] .XXXX ±0.0005 [±0.0127]	DATE: 02-10-2015	
NEW			REMOVE BURRS & BREAK SHARP EDGES .003/.015 [0.076/3.81] CORNER FILLETS .02 [1.51] MACHINED SURFACES $\frac{25}{\sqrt{}} \text{mm}^2$ mm SHOWN IN [BRACKETS]	APPROVED BY: A. BAUGHMAN	DESCRIPTION MODEL-CFHP-56FR OUTLINE
				DATE: 02-10-2015	MATERIAL -
				REFERENCE -	PROCESS/FINISH -
				THIRD ANGLE PROJECTION	SIZE DWG NO C 223V1
					SHEET 1