

PRODUCT INFORMATION PACKET



Model No: C313C
Catalog No: C313C

General Purpose Farm Duty Motor, 1.0 HP, 1 Ph, 60 Hz, 230/115 V, 1800 RPM, L56 Frame, TEFC



Regal and Century are trademarks of Regal Rexnord Corporation or one of its affiliated companies.
©2023 Regal Rexnord Corporation, All Rights Reserved. MC017097E





Nameplate Specifications

Output HP	1.0 Hp	Output KW	0.75 kW
Frequency	60 Hz	Voltage	230/115 V
Current	6.0/12.0 A	Speed	1725 rpm
Service Factor	1.15	Phase	1
Duty	Continuous	Insulation Class	B
Frame	L56	Enclosure	Totally Enclosed Fan Cooled
Thermal Protection	Thermally Protected	Ambient Temperature	40 °C
UL	Recognized	CSA	Y
CE	N	Number of Speeds	1

Technical Specifications

Electrical Type	Capacitor Start, Induction Run, Single Or Dual Voltage	Starting Method	Across The Line
Poles	4	Rotation	Reversible Counterclockwise
Mounting	Rigid Base	Drive End Bearing	Ball
Opp Drive End Bearing	Ball	Frame Material	Rolled Steel
Shaft Type	Keyed	Overall Length	13.36 in
Frame Length	6.25 in	Shaft Diameter	0.625 in
Shaft Extension	1.94 in		
Outline Drawing	03394503-S01	Connection Drawing	17050307.PCX

This is an uncontrolled document once printed or downloaded and is subject to change without notice. Date Created:03/15/2023

4

3

2

1

REV	ECO	REV BY	DATE	APPD	DATE
D	0025215	G. RODRIGUEZ	04-04-15	DANIEL MUÑOZ	04-04-15

GROUP	TYPE	FRAME	"C"	(BS)	(XA)	(XG)	(XH)	(XN)
03394503-001	CS	L56	13.36[339.3]	3.55[90.2]	2.01[51.1]	3.97[100.8]	4.06[103.1]	5.20[132.1]
03394503-002	CS	J56	12.24[310.9]	2.43[61.7]	1.64[41.7]	2.84[72.1]	4.08[103.1]	4.87[123.7]
03394503-003	CS	K56	12.61[320.3]	2.80[71.1]	1.64[41.7]	3.22[81.8]	4.06[103.1]	4.81[122.2]

ALL DIMENSION SHOWN IN PARENTHESIS ARE REFERENCE DIMENSIONS. ALL OTHER DIMENSIONS ARE TOLERANCED PER THE FOLLOWING CHART UNLESS OTHERWISE SPECIFIED.

"C" DIM. = ±.055[±1.40]
 SHAFT EXT. = ±.034[±.86]
 LEAD LENGTHS EXTENDED = ±1.00[±25.4]
 THRU-BOLTS = ±.050[±1.27]
 ANGULAR DIMS. = ±2 DEGS.

D

D

C

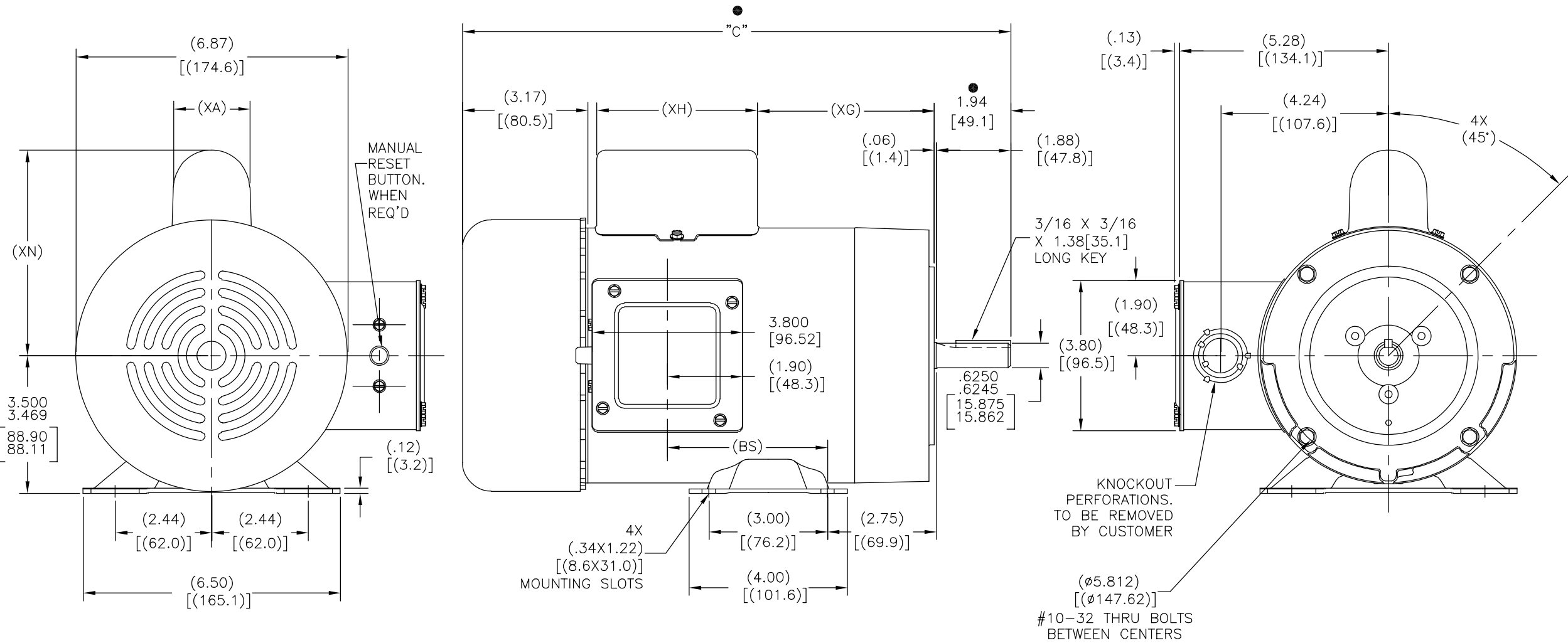
C

B

B

A

A



GEOMETRIC CHARACTERISTICS & SYMBOLS

- ▭ FLATNESS
- STRAIGHTNESS
- ∠ ANGULARITY
- ⊥ PERPENDICULARITY (SQUARENESS)
- ∥ PARALLELISM
- ROUNDNESS (CIRCULARITY)
- ⊘ CYLINDRICITY
- △ PROFILE OF ANY SURFACE
- ∧ PROFILE OF ANY LINE
- ↗ RUNOUT
- ⊕ TRUE POSITION
- ⊙ CONCENTRICITY
- ≡ SYMMETRY

ASME Y14.5M 1994

UNLESS OTHERWISE SPECIFIED DIM. TOLERANCES ARE AS FOLLOWS:

INCH X XX XXX XXXX
 ±.1 ±.02 ±.005 ±.0005
 mm ±0.5 ±0.13 ±0.013

ANG. ±.50 DEG
 REMOVE BURRS & BREAK SHARP EDGES:
 INCH .003-.015 mm 0.1-0.4

CORNER FILLETS TO:
 INCH .020 mm 0.5

MACHINE SURFACES:
 INCH 125 mm 3.2

METRIC DIMS. SHOWN IN [BRACKETS]

DR BY:	RALVAR	02-08-2005
APPD:	RARMEN	02-08-2005
THIRD ANGLE PROJECTION		
EDS DATE 11-11-2011 FORMAT REV G		
CONFIDENTIAL: THIS DRAWING AND ITS INFORMATION ARE THE EXCLUSIVE AND CONFIDENTIAL PROPERTY OF REGAL-BELOIT CORPORATION AND ARE NOT TO BE DISCLOSED, DUPLICATED, DISTRIBUTED OR OTHERWISE USED WITHOUT THE WRITTEN CONSENT OF REGAL-BELOIT CORPORATION. -ALL RIGHTS RESERVED.		

DESCRIPTION	
OUTLINE	
SIZE	DWG NO
C	03394503
SCALE	SHEET
NONE	1

4

3

2

1

4

3

2

1

REVISION:	ECO	REVISADO POR:	FECHA:	APROBADO POR:	FECHA:
D	0025215	G. RODRIGUEZ	04-04-15	DANIEL MUÑOZ	04-04-15

GRUPO	CLASE	CARCAZA	"C"	(BS)	(XA)	(XG)	(XH)	(XN)
03394503-001	CS	L56	13.36[339.3]	3.55[90.2]	2.01[51.1]	3.97[100.8]	4.06[103.1]	5.20[132.1]
03394503-002	CS	J56	12.24[310.9]	2.43[61.7]	1.64[41.7]	2.84[72.1]	4.08[103.1]	4.87[123.7]
03394503-003	CS	K56	12.61[320.3]	2.80[71.1]	1.64[41.7]	3.22[81.8]	4.06[103.1]	4.81[122.2]

TODAS LAS DIMENSIONES MOSTRADAS ENTRE PARENTESIS SON DIMENSIONES DE REFERENCIA. TODAS LAS DEMAS DIMENSIONES MANEJAN UNA TOLERANCIA QUE SE MUESTRA EN LA SIGUIENTE TABLA A MENOS DE QUE SE ESPECIFIQUE LO CONTRARIO.

DIMENSION DE "C" = ±0.055[±1.40]
 EXTENSION DE FLECHA = ±0.034[±.86]
 LARGO DE CABLES EXTENDIDOS = ±1.00[±25.4]
 PERNO PASADO = ±0.050[±1.27]
 DIMENSION ANGULAR = ±2' GRADOS

D

D

C

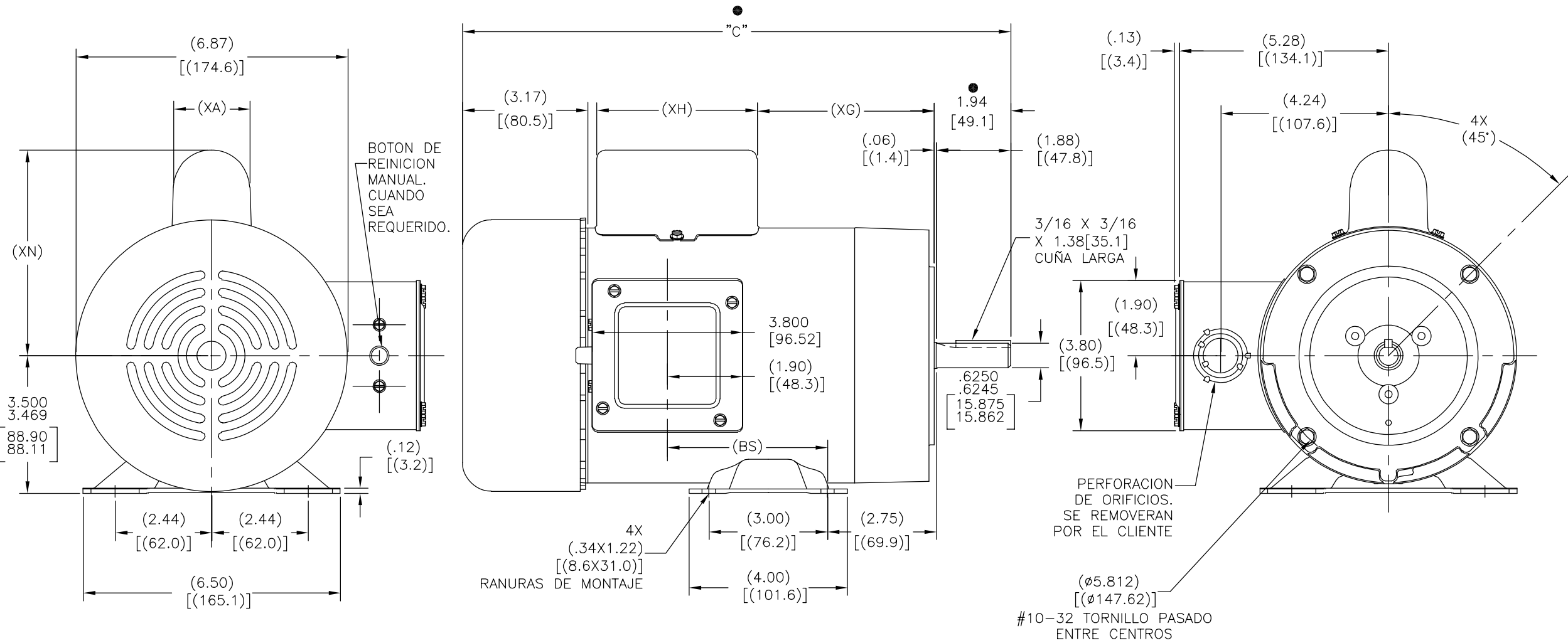
C

B

B

A

A



● = DIMENSION CRITICA

CARACTERISTICAS DE GEOMETRIA Y SIMBOLOS
 ▧ PLANICIDAD
 - RECTITUD
 < ANGULARIDAD
 ⊥ PERPENDICULARIDAD (A ESQUADRA)
 // PARALELISMO
 ○ REDONDEZ (CIRCULARIDAD)
 ∅ CILINDRICIDAD
 △ PERFIL DE CUALQUIER SUPERFICIE
 ∨ PERFIL DE CUALQUIER LINEA
 ↗ VARIACION
 ⊕ POSICION REAL
 ⊙ CONCENTRICIDAD
 = SIMETRIA

A MENOS QUE SE ESPECIFIQUE DE OTRA MANERA, LAS TOLERANCIAS DE LAS DIMS; SON LAS SIGUIENTES:
 PULG ±.1 ±.02 ±.005 ±.0005
 mm ±0.5 ±0.13 ±0.013
 ANG. ± 50 GRADOS
 ELIMINAR REBABAS Y ORILLAS FILOSAS DEL BORDE.
 PULG .003-.015 mm 0.1-0.4
 FILETEAR ESQUINA: PULG .020 mm 0.5
 MAQUINAR SUPERFICIES
 PULG 125 mm 3.2

DIBUJADO POR: RALVAR 02-08-2005
 APROBADO POR: RARMEN 02-08-2005
 TERCER ANGULO DE PROYECCION
 CONFIDENCIAL: ESTE DIBUJO Y SU INFORMACION SON PROPIEDAD DE USO EXCLUSIVO Y CONFIDENCIAL DE REGAL-BELOIT CORPORATION. Y NO DEBERAN SER REVELADOS, DUPLICADOS, DISTRIBUIDOS O USARSE DE OTRA MANERA SIN EL CONSENTIMIENTO ESCRITO DE REGAL-BELOIT CORPORATION. -TODOS LOS DERECHOS RESERVADOS.

REGAL-BELOIT CORPORATION
 DESCRIPCION: OUTLINE
 TAMAÑO: C NUMERO DE DIBUJO: 03394503
 ESCALA: NONE HOJA: 1

4

3

2

1

4

3

2

1

版本	ECO	编制	日期	批准	日期
D	0025215	G. RODRIGUEZ	04-04-15	DANIEL MUÑOZ	04-04-15

			"C"	(BS)	(XA)	(XG)	(XH)	(XN)
03394503-001	CS	L56	13.36[339.3]	3.55[90.2]	2.01[51.1]	3.97[100.8]	4.06[103.1]	5.20[132.1]
03394503-002	CS	J56	12.24[310.9]	2.43[61.7]	1.64[41.7]	2.84[72.1]	4.08[103.1]	4.87[123.7]
03394503-003	CS	K56	12.61[320.3]	2.80[71.1]	1.64[41.7]	3.22[81.8]	4.06[103.1]	4.81[122.2]

D

D

C

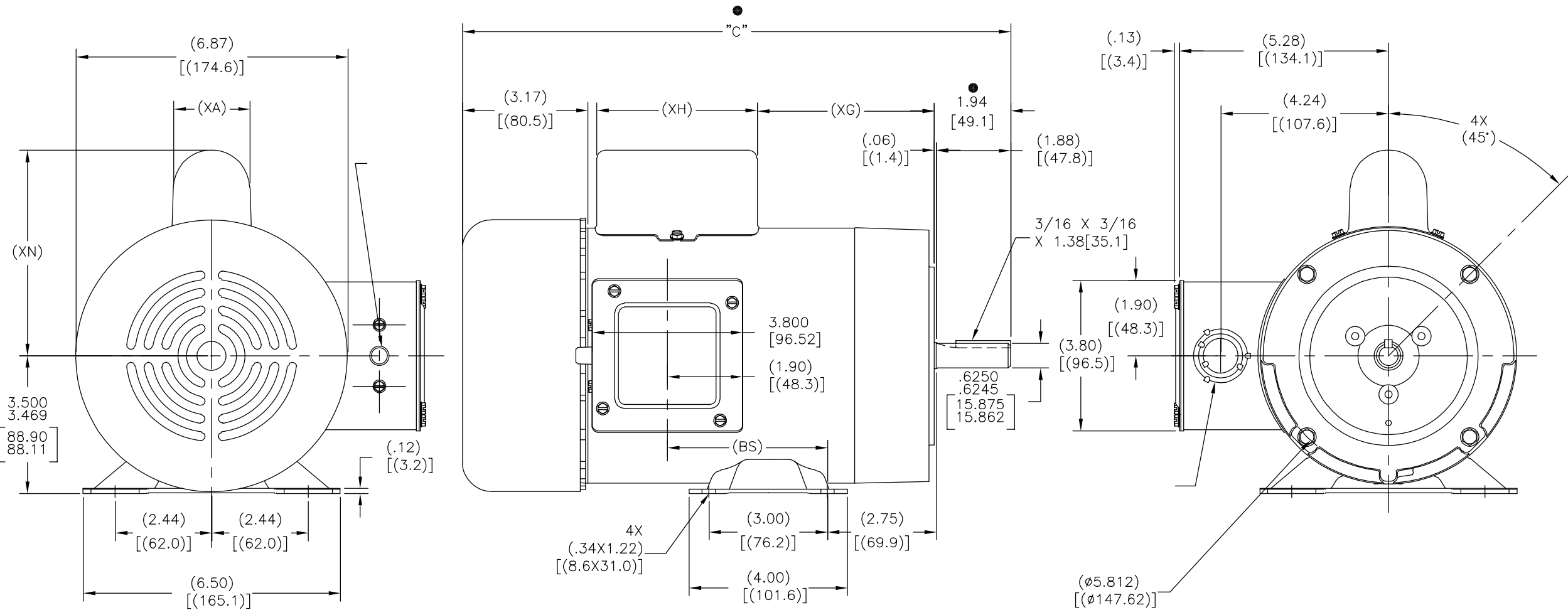
C

B

B

A

A



形位公差	除另有注明
□ 平面度	尺寸公差如下:
— 直线度	英寸 X XX XXX XXXX
∠ 倾斜度	英寸 ±.1 ±.02 ±.005 ±.0005
⊥ 垂直度	毫米 ±0.5 ±0.13 ±0.013
// 平行度	角度 ±.50 度
○ 圆度	清理毛刺和尖棱
⊘ 圆柱度	英寸 .003-.015 毫米 0.1-0.4
△ 面轮廓度	内圆角
∩ 线轮廓度	英寸 .020 毫米 0.5
↗ 圆跳动	表面粗糙度
⊕ 位置度	英制 125 米制 3.2
⊙ 同轴度	
≡ 对称度	

ASME Y14.5M 1994
米制尺寸显示在 []

绘图:	RALVAR	02-08-2005
批准:	RARMEN	02-08-2005
第三角投影		图纸格式发布日期 11-11-2011 图纸格式版本 G
机密: 本图纸及相关信息所有权归REGAL-BELOIT CORPORATION 未经REGAL-BELOIT CORPORATION书面授权, 不得泄露、 复制、传播或作其他用途。—版权所有		

名称	OUTLINE
图幅	C
图号	03394503
比例	NONE
页号	1

4

3

2

1