

PRODUCT INFORMATION PACKET



Model No: C338

Catalog No: C338

Instant Reversing Motor, 3/4 HP, 1 Ph, 60 Hz, 115/230 V, 1800 RPM, L56 Frame, TEFC



Regal and Century are trademarks of Regal Rexnord Corporation or one of its affiliated companies.
©2022 Regal Rexnord Corporation, All Rights Reserved. MC017097E





Nameplate Specifications

| | | | |
|--------------------|----------------------------|---------------------|------------------------------------|
| Output HP | 3/4 Hp | Output KW | 0.56 kW |
| Frequency | 60 Hz | Voltage | 115/230 V |
| Current | 10.4/5.2 A | Speed | 1725 rpm |
| Service Factor | 1 | Phase | 1 |
| Duty | Continuous | Insulation Class | B |
| Frame | L56 | Enclosure | Totally Enclosed Fan Cooled |
| Thermal Protection | Thermally Protected | Ambient Temperature | 40 °C |
| UL | No | CSA | Y |
| CE | N | Number of Speeds | 1 |

Technical Specifications

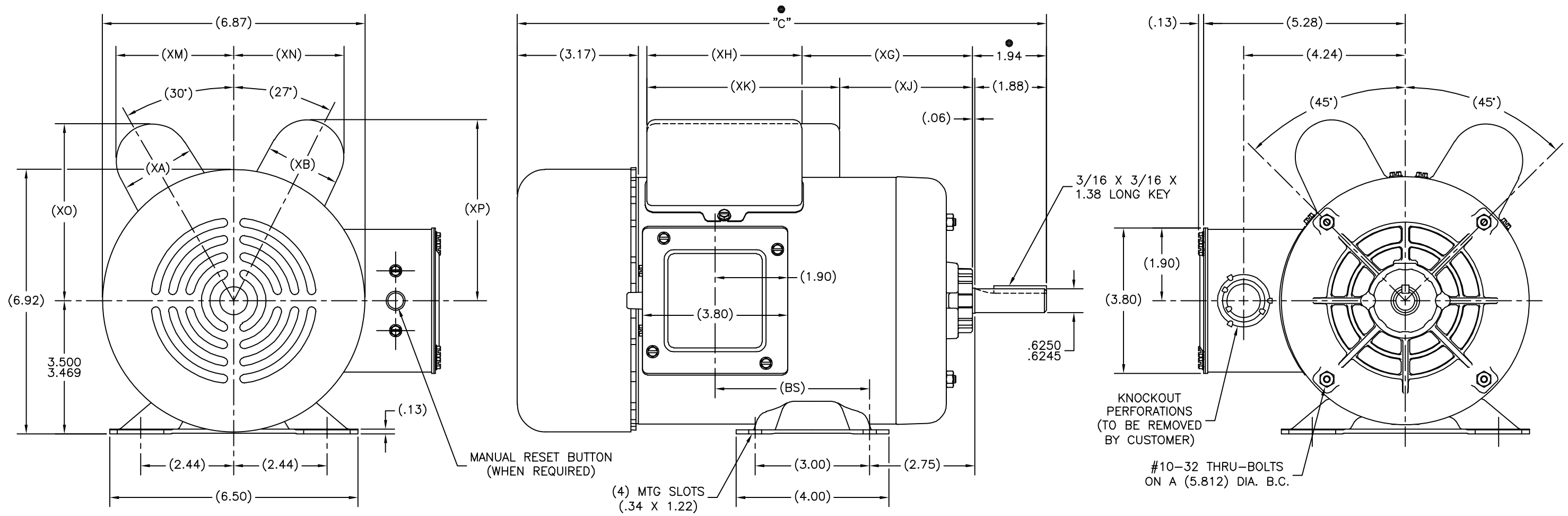
| | | | |
|-----------------------|---|--------------------|------------------------------------|
| Electrical Type | Capacitor Start, Induction Run, Instantly Reversible | Starting Method | Across The Line |
| Poles | 4 | Rotation | Reversible Counterclockwise |
| Mounting | Rigid Base | Drive End Bearing | Ball |
| Opp Drive End Bearing | Ball | Frame Material | Rolled Steel |
| Shaft Type | Keyed | Overall Length | 13.36 in |
| Frame Length | 6.25 in | Shaft Diameter | 0.625 in |
| Shaft Extension | 1.94 in | | |
| Outline Drawing | 195077-S01 | Connection Drawing | 17844301 |

This is an uncontrolled document once printed or downloaded and is subject to change without notice. Date Created:11/28/2022

| REV | ECO | REV BY | DATE | APPD | DATE |
|-----|---------|-----------|------------|---------------|------------|
| C | 0025361 | L. BERNAL | 04-12-2012 | D. BALDERRAMA | 04-12-2012 |

ALL DIMENSIONS SHOWN IN PARENTHESIS ARE REFERENCE DIMENSIONS. ALL OTHER DIMENSIONS ARE TOLERANCED PER THE FOLLOWING CHART UNLESS OTHERWISE SPECIFIED.

"C" DIM. = +/- .055
 SHAFT EXT. = +/- .034
 LEAD LENGTHS = +/- 1.00
 EXTENDED THRU-BOLTS = +/- .050
 ANGULAR DIM. = +/- 2'



| -03 | CP | M56 | 13.86 | 4.05 | 2.01 | 2.01 | 3.47 | 5.06 | 3.47 | 5.06 | 3.09 | 2.89 | 4.63 | 4.74 |
|-------|------|-------|-------|------|------|------|------|------|------|------|------|------|------|------|
| -02 | CSR | K56 | 12.61 | 2.80 | 2.01 | 2.01 | 3.22 | 4.06 | 3.22 | 4.06 | 3.09 | 2.89 | 4.63 | 4.74 |
| -01 | CSR | L56 | 13.36 | 3.55 | 2.01 | 2.01 | 3.97 | 4.06 | 3.97 | 4.06 | 3.09 | 2.89 | 4.63 | 4.74 |
| GROUP | TYPE | FRAME | "C" | (BS) | (XA) | (XB) | (XG) | (XH) | (XJ) | (XK) | (XM) | (XN) | (XO) | (XP) |

● = CRITICAL DIMENSION

GEOMETRIC CHARACTERISTICS & SYMBOLS
 □ FLATNESS
 ⊥ STRAIGHTNESS
 ∠ ANGULARITY
 ⊥ PERPENDICULARITY (SQUARENESS)
 // PARALLELISM
 ○ ROUNDNESS (CIRCULARITY)
 Ⓞ CYLINDRICITY
 ≡ PROFILE OF ANY SURFACE
 ≡ PROFILE OF ANY LINE
 Ⓢ RUNOUT
 ⊕ TRUE POSITION
 ⊙ CONCENTRICITY
 = SYMMETRY

UNLESS OTHERWISE SPECIFIED DIM. TOLERANCES ARE AS FOLLOWS:
 INCH ± .1 ± .02 ± .005 ± .0005
 mm ± 0.5 ± 0.13 ± 0.013
 ANG. ± 50 DEG
 REMOVE BURRS & BREAK SHARP EDGES:
 INCH .003-.015 mm 0.1-0.4
 CORNER FILLETS TO:
 INCH .020 mm 0.5
 MACHINE SURFACES:
 INCH 125 mm 3.2
 METRIC DIMS. SHOWN IN [BRACKETS]

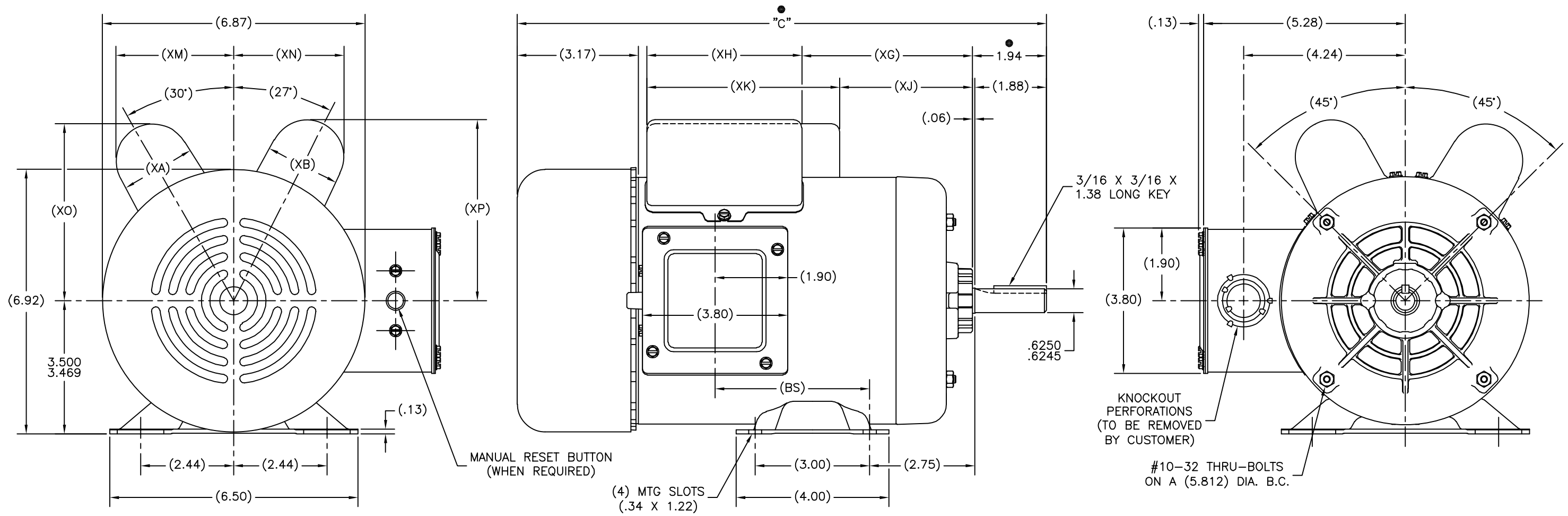
DR BY: DAVHOL 12-14-1999
 APPD:
 THRD ANGLE PROJECTION
 EDS DATE 11-11-2011
 FORMAT REV G

REGAL BELOIT CORPORATION
 DESCRIPTION 0056 DWG 0-LINE BB TEFC RIGID BASE
 SIZE D DWG NO 195077
 SCALE 1=1 SHEET 1

| | | | | | | | | | |
|-----------|---------|---------------|-----------|--------|------------|---------------|---------------|--------|------------|
| REVISION: | ECO | REVISADO POR: | L. BERNAL | FECHA: | 04-12-2012 | APROBADO POR: | D. BALDERRAMA | FECHA: | 04-12-2012 |
| C | 0025361 | | | | | | | | |

ALL DIMENSIONS SHOWN IN PARENTHESIS ARE REFERENCE DIMENSIONS. ALL OTHER DIMENSIONS ARE TOLERANCED PER THE FOLLOWING CHART UNLESS OTHERWISE SPECIFIED.

- "C" DIM. = +/- .055
- SHAFT EXT. = +/- .034
- LEAD LENGTHS = +/- 1.00
- EXTENDED THRU-BOLTS = +/- .050
- ANGULAR DIM. = +/- 2'



| | | | | | | | | | | | | | | |
|-------|------|-------|-------|------|------|------|------|------|------|------|------|------|------|------|
| -03 | CP | M56 | 13.86 | 4.05 | 2.01 | 2.01 | 3.47 | 5.06 | 3.47 | 5.06 | 3.09 | 2.89 | 4.63 | 4.74 |
| -02 | CSR | K56 | 12.61 | 2.80 | 2.01 | 2.01 | 3.22 | 4.06 | 3.22 | 4.06 | 3.09 | 2.89 | 4.63 | 4.74 |
| -01 | CSR | L56 | 13.36 | 3.55 | 2.01 | 2.01 | 3.97 | 4.06 | 3.97 | 4.06 | 3.09 | 2.89 | 4.63 | 4.74 |
| GROUP | TYPE | FRAME | "C" | (BS) | (XA) | (XB) | (XG) | (XH) | (XJ) | (XK) | (XM) | (XN) | (XO) | (XP) |

● = CRITICAL DIMENSION

CARACTERÍSTICAS DE GEOMETRIA Y SIMBOLOS:
 □ PLANICIDAD
 ⊥ RECTITUD
 ∠ ANGULARIDAD
 ⊥ PERPENDICULARIDAD (A ESCUADRA)
 // PARALELISMO
 ○ REDONDEZ (CIRCULARIDAD)
 R CILINDRICIDAD
 ≡ PERFIL DE CUALQUIER SUPERFICIE
 ^ PERFIL DE CUALQUIER LINEA
 ∠ VARIACION
 ⊕ POSICION REAL
 ⊙ CONCENTRICIDAD
 = SIMETRIA

ASME Y14.5M 1994

A MENOS QUE SE ESPECIFIQUE DE OTRA MANERA, LAS TOLERANCIAS DE LAS DIMS; SON LAS SIGUIENTES:
 PULG ±.1 ±.02 ±.005 ±.0005
 mm ±0.5 ±0.13 ±0.013
 ANG ±.50 GRADOS
 ELIMINAR REBABAS Y ORILLAS FILOSAS DEL BORDE.
 PULG .003-.015 mm 0.1-0.4
 FILETEAR ESQUINA: PULG .020 mm 0.5
 MAQUINAR SUPERFICIES
 PULG 125 mm 3.2

DIMS METRICAS MOSTRADAS [PARENTESIS]

DIBUJADO POR: DAVHÖL
 APROBADO POR:
 TERCER ANGULO DE PROYECCION
 FECHA EDS: 11-11-2011
 REV. FORMATO: G

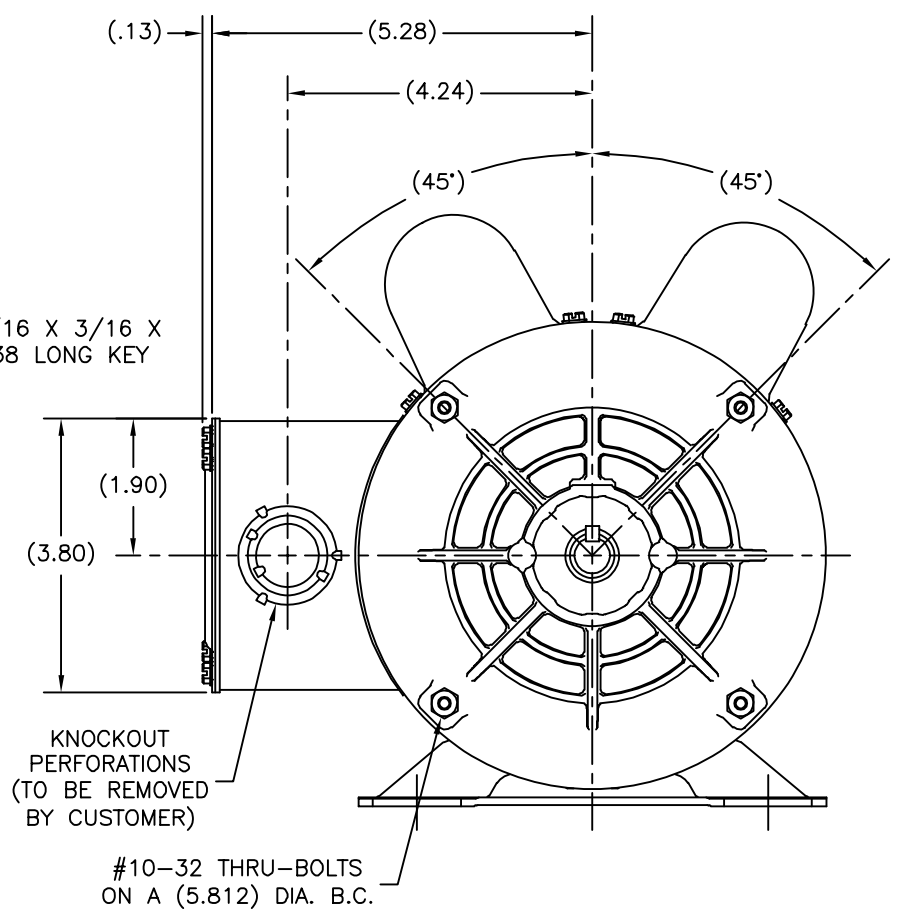
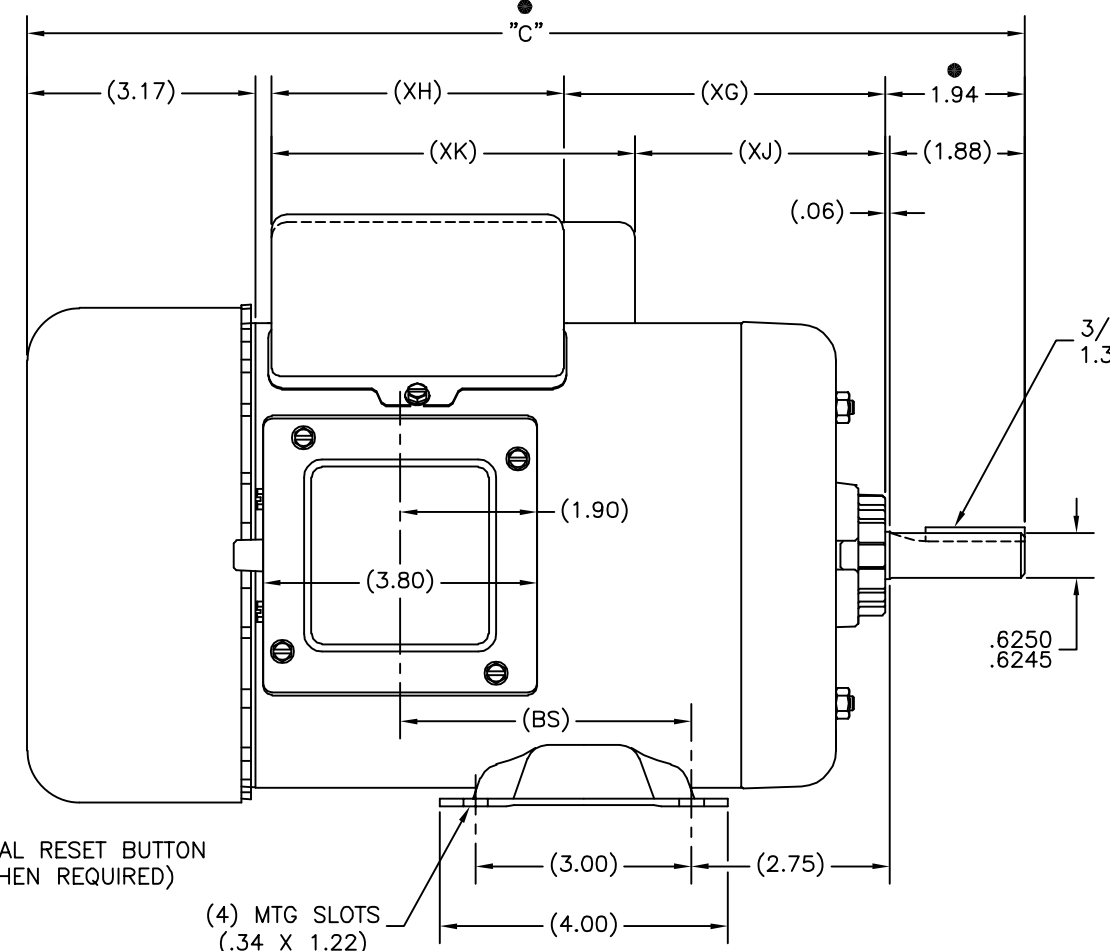
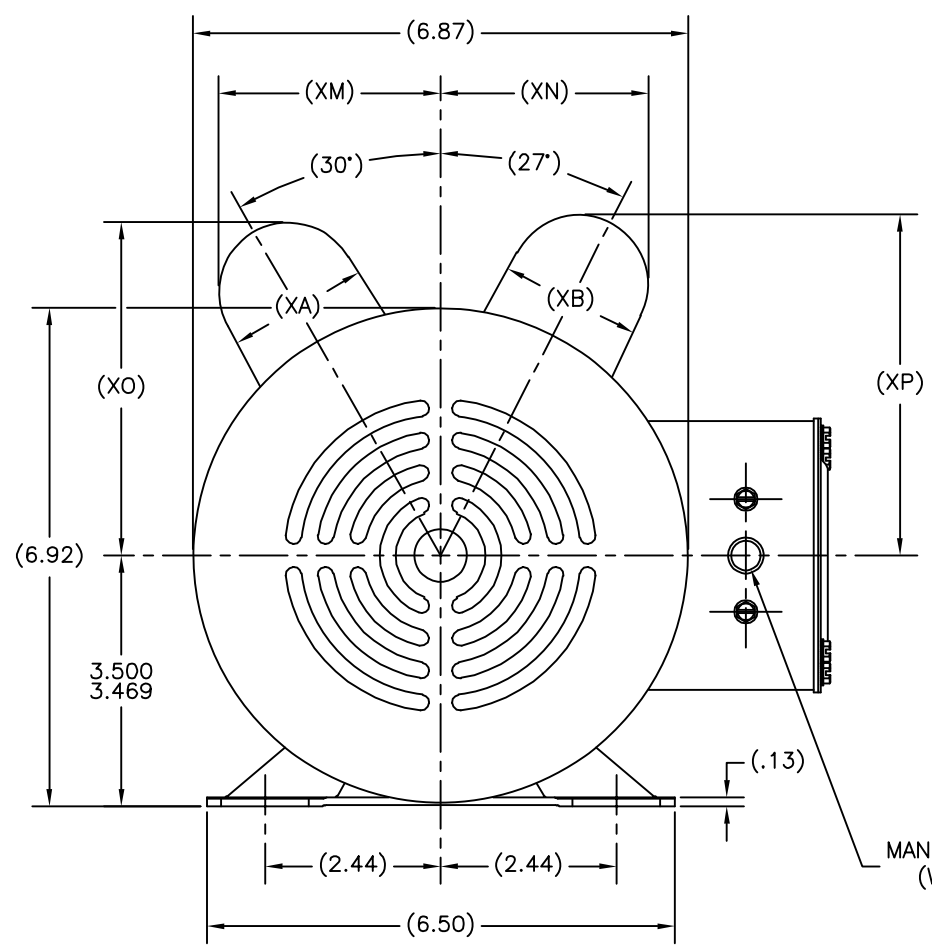
CONFIDENCIAL: ESTE DIBUJO Y SU INFORMACION SON PROPIEDAD DE USO EXCLUSIVO Y CONFIDENCIAL DE REGAL-BELOIT CORPORATION, Y NO DEBERAN SER REVELADOS, DUPLICADOS, DISTRIBUIDOS O USARSE DE OTRA MANERA SIN EL CONSENTIMIENTO ESCRITO DE REGAL-BELOIT CORPORATION. -TODOS LOS DERECHOS RESERVADOS.

REGAL-BELOIT CORPORATION
 DESCRIPCION: 0056 DWG O-LINE BB TEFC RIGID BASE
 TAMAÑO: D NUMERO DE DIBUJO: 195077
 ESCALA: 1=1 HOJA: 1

| | | | | | |
|----|---------|-----------|------------|---------------|------------|
| 版本 | ECO | 编制 | 日期 | 批准 | 日期 |
| C | 0025361 | L. BERNAL | 04-12-2012 | D. BALDERRAMA | 04-12-2012 |

ALL DIMENSIONS SHOWN IN PARENTHESIS ARE REFERENCE DIMENSIONS. ALL OTHER DIMENSIONS ARE TOLERANCED PER THE FOLLOWING CHART UNLESS OTHERWISE SPECIFIED.

- "C" DIM. = +/- .055
- SHAFT EXT. = +/- .034
- LEAD LENGTHS = +/- 1.00
- EXTENDED THRU-BOLTS = +/- .050
- ANGULAR DIM. = +/- 2'



| | | | | | | | | | | | | | | |
|-------|------|-------|-------|------|------|------|------|------|------|------|------|------|------|------|
| -03 | CP | M56 | 13.86 | 4.05 | 2.01 | 2.01 | 3.47 | 5.06 | 3.47 | 5.06 | 3.09 | 2.89 | 4.63 | 4.74 |
| -02 | CSR | K56 | 12.61 | 2.80 | 2.01 | 2.01 | 3.22 | 4.06 | 3.22 | 4.06 | 3.09 | 2.89 | 4.63 | 4.74 |
| -01 | CSR | L56 | 13.36 | 3.55 | 2.01 | 2.01 | 3.97 | 4.06 | 3.97 | 4.06 | 3.09 | 2.89 | 4.63 | 4.74 |
| GROUP | TYPE | FRAME | "C" | (BS) | (XA) | (XB) | (XG) | (XH) | (XJ) | (XK) | (XM) | (XN) | (XO) | (XP) |

● = CRITICAL DIMENSION

| | |
|--------|--------------------------|
| 形位公差 | 除另有注明 |
| — 平面度 | 尺寸公差如下: |
| — 直线度 | 英寸 X XX XXX XXXX |
| — 倾斜度 | 英寸 ±.1 ±.02 ±.005 ±.0005 |
| — 垂直度 | 毫米 ±0.5 ±0.13 ±0.013 |
| — 平行度 | 清理毛刺和尖棱 |
| — 圆度 | 英寸 .003-.015 毫米 0.1-0.4 |
| — 圆柱度 | 内圆角 |
| — 面轮廓度 | 英寸 .020 毫米 0.5 |
| — 线轮廓度 | 表面粗糙度 |
| — 圆跳动 | 英制 125 米制 3.2 |
| — 位置度 | 米制尺寸显示在 [] |
| — 同轴度 | |
| — 对称度 | |

| | | |
|---|------------|------------------------------------|
| 绘图: | DAVHOL | 12-14-1999 |
| 批准: | | |
| 第三角投影 | | |
| 图框格式及发布日期 | 11-11-2011 | 名称 |
| 图框格式版本 | G | 0056 DWG O-LINE BB TEFC RIGID BASE |
| 机密: 本图纸及相关信息所有权归REGAL-BELOIT CORPORATION。未经REGAL-BELOIT CORPORATION书面授权, 不得泄露、复制、传播或作其他用途。—版权所有 | | |
| 图号 | D | 图号 |
| 比例 | 1=1 | 图号 |
| | | 195077 |
| | | 页号 |
| | | 1 |



0056 DWG O-LINE BB TEFC RIGID BASE

图号: D 195077 比例: 1=1 页号: 1