

PRODUCT INFORMATION PACKET



Model No: C347

Catalog No: C347

Auger Drive Motor, 3/4 HP, 3 Ph, 60 Hz, 208-230/460 V, 1800 RPM, 56N Frame, TEFC



Regal and Century are trademarks of Regal Rexnord Corporation or one of its affiliated companies.

©2022 Regal Rexnord Corporation, All Rights Reserved. MC017097E





Nameplate Specifications

Output HP	3/4 Hp	Output KW	0.56 kW
Frequency	60 Hz	Voltage	208-230/460 V
Current	2.4-2.4/1.2 A	Speed	1725 rpm
Service Factor	1	Phase	3
Duty	Continuous	Insulation Class	B
Frame	56N	Enclosure	Totally Enclosed Fan Cooled
Thermal Protection	Thermally Protected	Ambient Temperature	40 °C
UL	Recognized	CSA	Y
CE	N	Number of Speeds	1

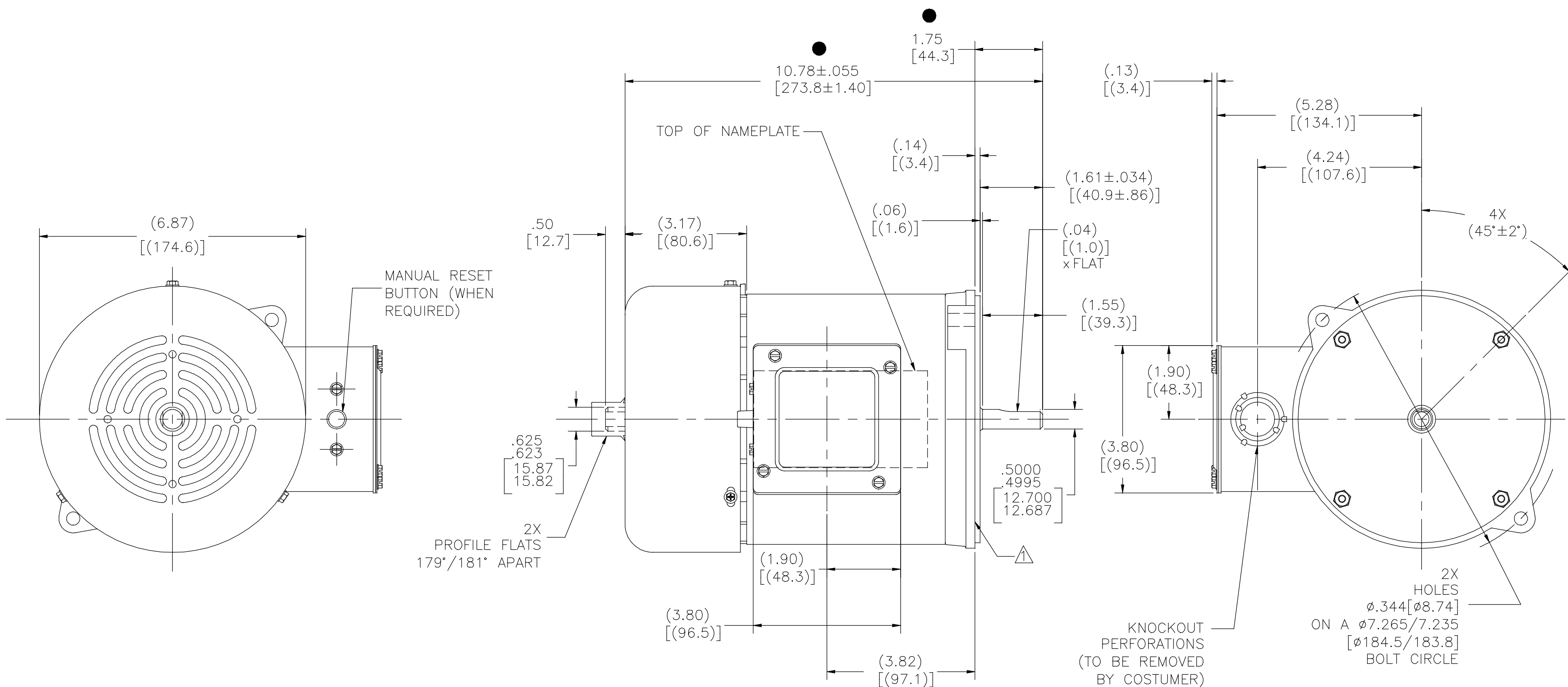
Technical Specifications

Electrical Type	Polyphase	Starting Method	Across The Line
Poles	4	Rotation	Reversible Counterclockwise
Mounting	Round	Drive End Bearing	Ball
Opp Drive End Bearing	Ball	Frame Material	Rolled Steel
Shaft Type	Flat	Overall Length	10.78 in
Frame Length	5.13 in	Shaft Diameter	0.500 in
Shaft Extension	1.75 in		
Outline Drawing	C347-S01	Connection Drawing	17050303

This is an uncontrolled document once printed or downloaded and is subject to change without notice. Date Created:11/28/2022

REV	ECO	REV BY	DATE	APPD	DATE
C	ECO-0169531	D.SURYAWANSHI	06/26/2019		

- NOTES:
- FACE OF MOUNTING FLANGE IS PERPENDICULAR TO SHAFT q WITHIN .004[.10] T.I.R.
 - SHAFT RUNOUT NOT TO EXCEED .002[.05] T.I.R.
 - ALL DIMENSIONS SHOWN IN PARENTHESIS ARE REFERENCE DIMENSIONS.



GEOMETRIC CHARACTERISTICS & SYMBOLS	
∇	FLATNESS
—	STRAIGHTNESS
\sphericalangle	ANGULARITY
\perp	PERPENDICULARITY (SQUARENESS)
//	PARALLELISM
\bigcirc	ROUNDNESS (CIRCULARITY)
⌀	CYLINDRICITY
\triangle	PROFILE OF ANY SURFACE
\sim	PROFILE OF ANY LINE
\uparrow	RUNOUT
\oplus	TRUE POSITION
\odot	CONCENTRICITY
\equiv	SYMMETRY

ASME Y14.5M 1994

UNLESS OTHERWISE SPECIFIED DIM. TOLERANCES ARE AS FOLLOWS:

	X	XX	XXX	XXXX
INCH	±.1	±.02	±.005	±.0005
mm	±0.5	±0.13	±0.013	

ANG. ±.50 DEG
REMOVE BURRS & BREAK SHARP EDGES:
INCH .003-.015 mm 0.1-0.4
CORNER FILLETS TO:
INCH .020 mm 0.5
MACHINE SURFACES:
INCH $\sqrt{3}$ mm $\sqrt{2}$
METRIC DIMS. SHOWN IN [BRACKETS]

DR BY:	J.MENA	04-26-2012
APPD:	S.WALLACE	04-26-2012
THIRD ANGLE PROJECTION	⌀	EDS DATE 11-11-2011 FORMAT REV H
CONFIDENTIAL: THIS DRAWING AND ITS INFORMATION ARE THE EXCLUSIVE AND CONFIDENTIAL PROPERTY OF REGAL-BELOIT CORPORATION AND ARE NOT TO BE DISCLOSED, DUPLICATED, DISTRIBUTED OR OTHERWISE USED WITHOUT THE WRITTEN CONSENT OF REGAL-BELOIT CORPORATION. -ALL RIGHTS RESERVED.		

REGAL REGAL-BELOIT CORPORATION	
DESCRIPTION MODEL-CFHP-56FR OUTLINE	
SIZE C	DWG NO C347
SCALE NONE	SHEET 1