





**Nameplate Specifications**

Output HP	1 Hp	Output KW	0.75 kW
Frequency	60 Hz	Voltage	115/230 V
Current	8.4/4.2 A	Speed	1725 rpm
Service Factor	1.25	Phase	1
Efficiency	82.6 %	Duty	Continuous
Insulation Class	B	Frame	56C
Enclosure	Open Drip Proof	Thermal Protection	No Protection
Ambient Temperature	40 °C	UL	Recognized
CSA	Y	CE	Y
Number of Speeds	1		

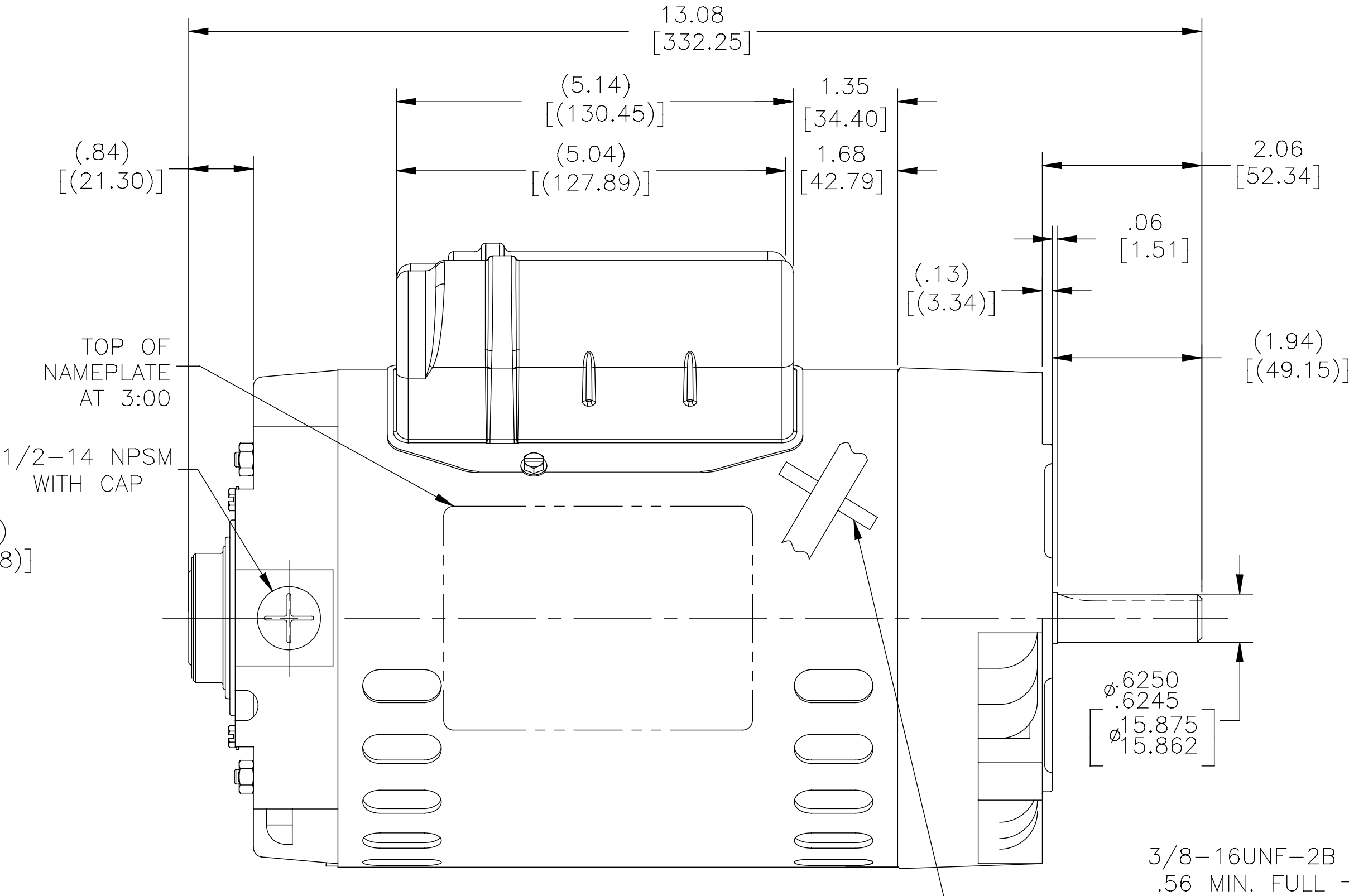
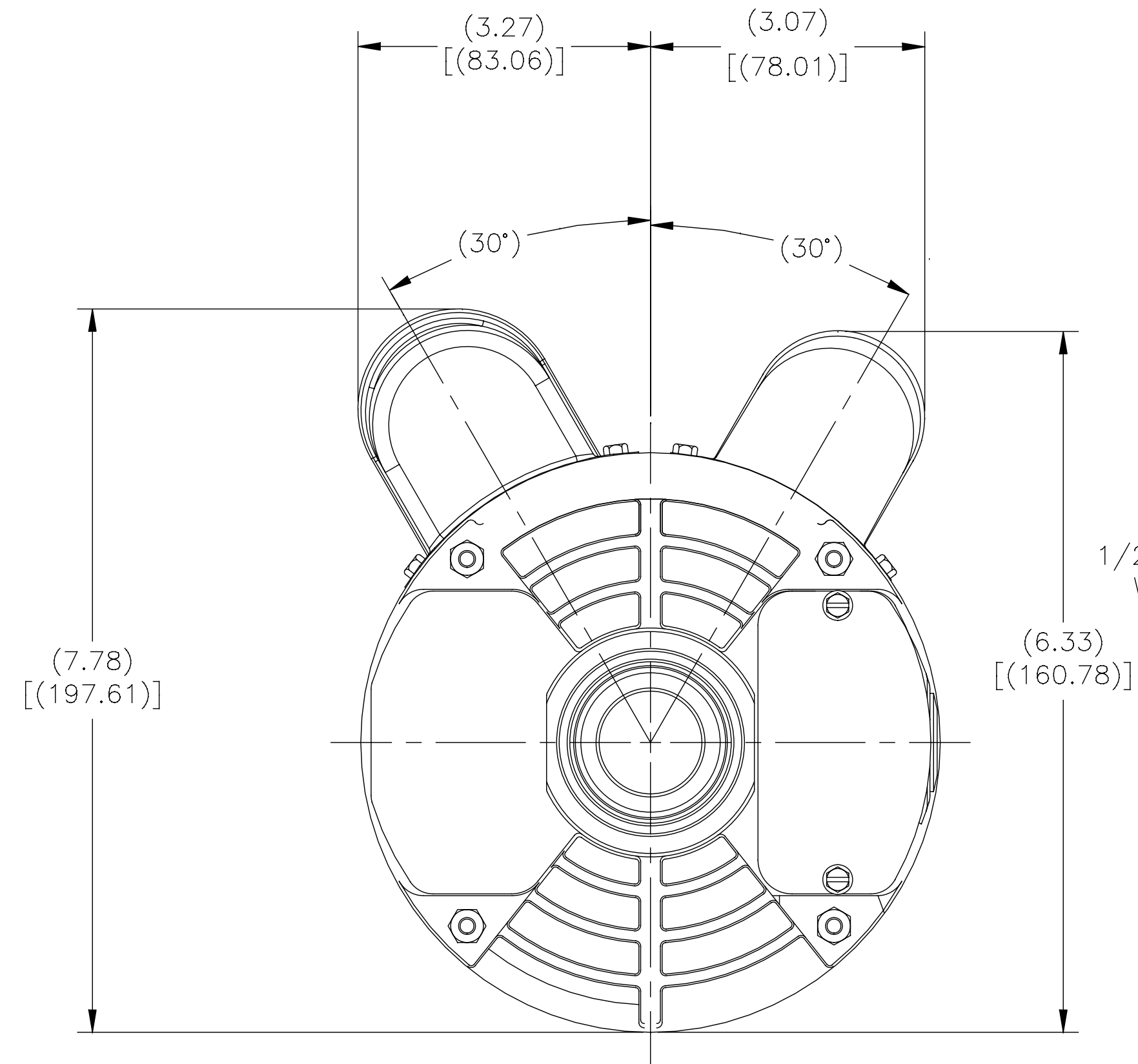
**Technical Specifications**

Electrical Type	Capacitor Start, Induction Run, Single Or Dual Voltage	Starting Method	Across The Line
Poles	4	Rotation	Counterclockwise
Mounting	Round	Drive End Bearing	Ball
Opp Drive End Bearing	Ball	Frame Material	Rolled Steel
Shaft Type	Keyed	Overall Length	13.08 in
Frame Length	7.25 in	Shaft Diameter	0.625 in
Shaft Extension	2.06 in		
Outline Drawing	C445ES-S01	Connection Drawing	D0000435-001

This is an uncontrolled document once printed or downloaded and is subject to change without notice. Date Created:11/28/2022

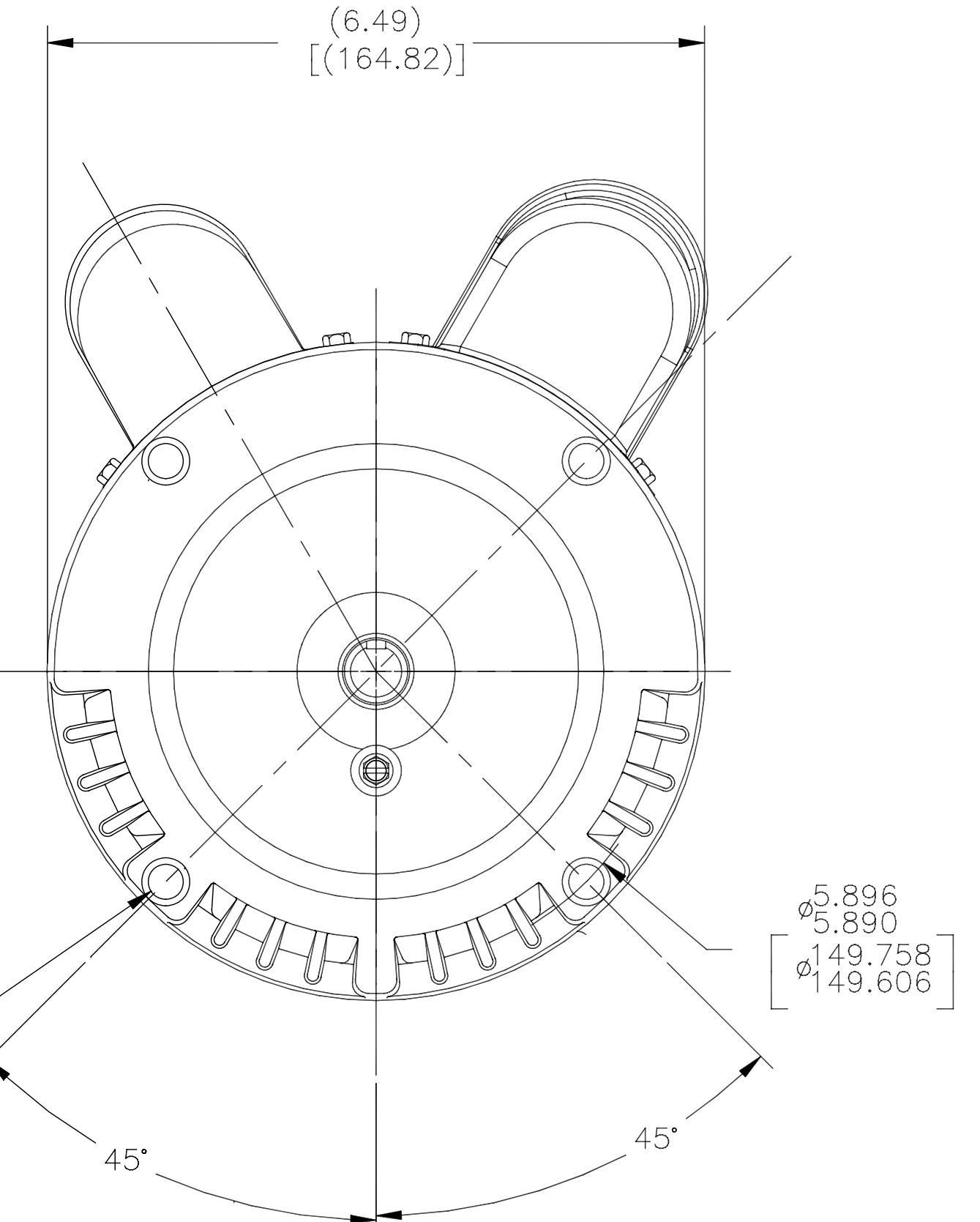
NOTES:  
 1. ALL DIMENSIONS SHOWN IN PARENTHESIS ARE REFERENCE DIMENSIONS. ALL OTHER DIMENSIONS ARE TOLERANCED PER THE FOLLOWING CHART UNLESS OTHERWISE SPECIFIED.

"OVERALL" DIMENSION = ±.055[1.397]  
 SHAFT EXTENSION = ±.034[.864]  
 LEAD LENGTHS = ±1.00[25.40]  
 EXTENDED THRU-BOLTS = ±.050[1.270]  
 ANGULAR DIMENSIONS = ±2°



3/8-16UNF-2B  
 .56 MIN. FULL THD. 4 HOLES

3/16 X 3/16 X 1.38[35.05] LONG KEY (TAP IT ON THE MF BEFORE SHIP)



DRAWING REVISION C	REVISION BY X.JIAN	DATE 06-25-2015	TOLERANCES UNLESS OTHERWISE SPECIFIED DEC: INCH mm ANGLE	DRAWN BY H.ZHANG	<b>Regal Beloit America, Inc.</b> DESCRIPTION MODEL-CFHP-56FR OUTLINE MATERIAL PROCESS/FINISH
ECD ECO-0079651	APPROVED BY H.ZHANG	DATE 06-25-2015	.XX ±0.02 [±0.51] .XXX ±0.005 [±0.127] .XXXX ±0.0005 [±0.0127]	DATE 10-20-2014	
ECD DESCRIPTION SEE ECO			REMOVE BURRS & BREAK SHARP EDGES .003/0.015 [0.076/.381] CORNER FILLETS .02 [51] MACHINED SURFACES $\frac{1}{32}$ INCH $\sqrt{}$ mm $\sqrt{}$ mm SHOWN IN [BRACKETS]	APPROVED BY H.ZHANG	REFERENCE
PROPRIETARY AND CONFIDENTIAL INFORMATION - THE DOCUMENT IS THE PROPERTY OF REGAL BELLOIT AMERICA, INC. (POWER) AND CONTAINS OTHERS' PROPRIETARY INFORMATION. BY PERSON, CORPORATION OR OTHER ENTITY, AND/OR USED, DISSEMINATED TO ANY PERSON, CORPORATION OR OTHER ENTITY, WITHOUT THE WRITTEN PERMISSION OF REGAL BELLOIT AMERICA, INC. (POWER) IS STRICTLY PROHIBITED. THIS DOCUMENT SHALL BE RETURNED TO OWNER UPON REQUEST. IT MAY BE SUBJECT TO EXPORT RESTRICTIONS UNDER APPLICABLE EXPORT CONTROL LAWS AND REGULATIONS.			DATE 10-20-2014	SIZE (DWG NO) D C445ES	
				THIRD ANGLE PROJECTION	SHEET 1

4

3

2

1

REV	ECO	REV BY	DATE	APPD	DATE
A	ECO-0028953	A.BAUGHMAN	11-09-2012	A.BAUGHMAN	11-09-2012

D

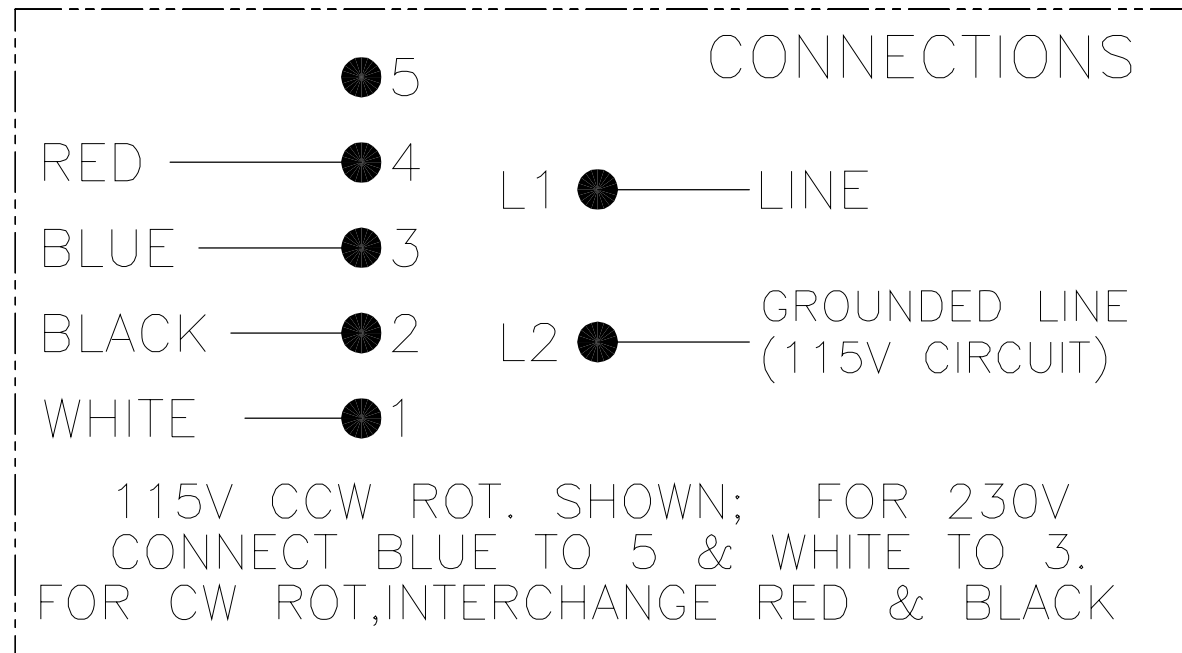
D

C

C

B

B



A

A

4

3

2

1

<b>GEOMETRIC CHARACTERISTICS &amp; SYMBOLS</b> □ FLATNESS — STRAIGHTNESS ∠ ANGULARITY ⊥ PERPENDICULARITY (SQUARENESS) // PARALLELISM ○ ROUNDNESS (CIRCULARITY) ∅ CYLINDRICITY △ PROFILE OF ANY SURFACE ∩ PROFILE OF ANY LINE ↗ RUNOUT ⊕ TRUE POSITION ⊙ CONCENTRICITY = SYMMETRY ASME Y14.5M 1994	UNLESS OTHERWISE SPECIFIED DIM. TOLERANCES ARE AS FOLLOWS: INCH X XX XXX XXXX ±.1 ±.02 ±.005 ±.0005 mm ±0.5 ±0.13 ±0.013 ANG. ±.50 DEG REMOVE BURRS & BREAK SHARP EDGES: INCH .003-.015 mm 0.1-0.4 CORNER FILLETS TO: INCH .020 mm 0.5 MACHINE SURFACES: INCH 125 mm 3.2 METRIC DIMS. SHOWN IN [BRACKETS]	DR BY: A.BAUGHMAN	11-09-2012	<b>REGAL-BELOIT CORPORATION</b>
		APPD: A.BAUGHMAN	11-09-2012	
		THIRD ANGLE PROJECTION	EDS DATE 11-11-2011 FORMAT REV H	SIZE C DWG NO D0000435-001
		CONFIDENTIAL: THIS DRAWING AND ITS INFORMATION ARE THE EXCLUSIVE AND CONFIDENTIAL PROPERTY OF REGAL-BELOIT CORPORATION AND ARE NOT TO BE DISCLOSED, DUPLICATED, DISTRIBUTED OR OTHERWISE USED WITHOUT THE WRITTEN CONSENT OF REGAL-BELOIT CORPORATION. -ALL RIGHTS RESERVED.		SCALE NONE SHEET 1

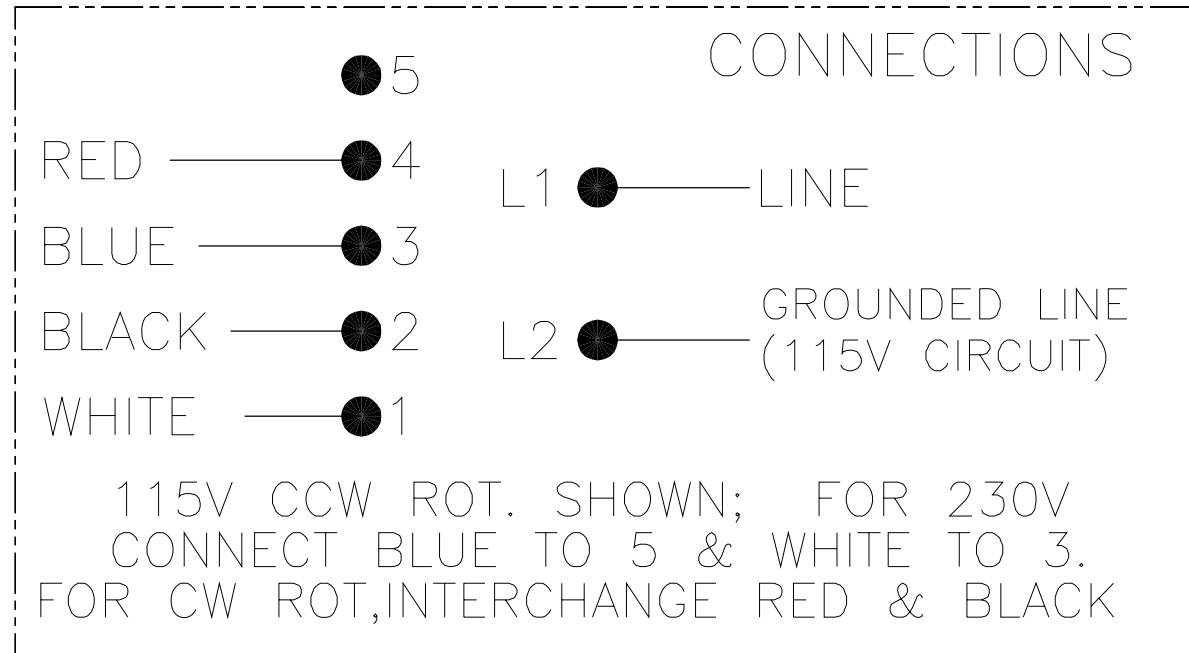
4

3

2

1


REVISION:	ECO	REVISADO POR:	FECHA:	APROBADO POR:	FECHA:
A	ECO-0028953	A.BAUGHMAN	11-09-2012	A.BAUGHMAN	11-09-2012



CARACTERISTICAS DE GEOMETRIA Y SIMBOLOS □ PLANICIDAD — RECTITUD ∠ ANGULARIDAD ⊥ PERPENDICULARIDAD (A ESCUADRA) // PARALELISMO ○ REDONDEZ (CIRCULARIDAD) ∅ CILINDRICIDAD △ PERFIL DE CUALQUIER SUPERFICIE ∩ PERFIL DE CUALQUIER LINEA ↗ VARIACION ⊕ POSICION REAL ⊙ CONCENTRICIDAD = SIMETRIA
---

A MENOS QUE SE ESPECIFIQUE DE OTRA MANERA, LAS TOLERANCIAS DE LAS DIMS; SON LAS SIGUIENTES: X    XX    XXX    XXXX PULG ±.1 ±.02 ±.005 ±.0005 mm ±0.5 ±0.13 ±0.013 ANG. ± 50 GRADOS ELIMINAR REBABAS Y ORILLAS FILOSAS DEL BORDE. PULG .003-.015 mm 0.1-0.4 FILETEAR ESQUINA: PULG .020 mm 0.5 MAQUINAR SUPERFICIES PULG 125 mm 3.2 DIMS METRICAS MOSTRADAS [PARENTESIS]
--

DIBUJADO POR: A.BAUGHMAN	11-09-2012
APROBADO POR: A.BAUGHMAN	11-09-2012
TERCER ANGULO DE PROYECCION	 FECHA EDS: 11-11-2011 REV. FORMATO: H
CONFIDENCIAL: ESTE DIBUJO Y SU INFORMACION SON PROPIEDAD DE USO EXCLUSIVO Y CONFIDENCIAL DE REGAL-BELOIT CORPORATION. Y NO DEBERAN SER REVELADOS, DUPLICADOS, DISTRIBUIDOS O USARSE DE OTRA MANERA SIN EL CONSENTIMIENTO ESCRITO DE REGAL-BELOIT CORPORATION. -TODOS LOS DERECHOS RESERVADOS.	

 <b>REGAL-BELOIT CORPORATION</b>	
DESCRIPCION: CONN DIAGRAM-NAMEPLATE	
TAMAÑO: C	NUMERO DE DIBUJO: D0000435-001
ESCALA: NONE	HOJA: 1

4

3

2

1

4

3

2

1

版本	ECO	编制	日期	批准	日期
A	ECO-0028953	A.BAUGHMAN	11-09-2012	A.BAUGHMAN	11-09-2012

D

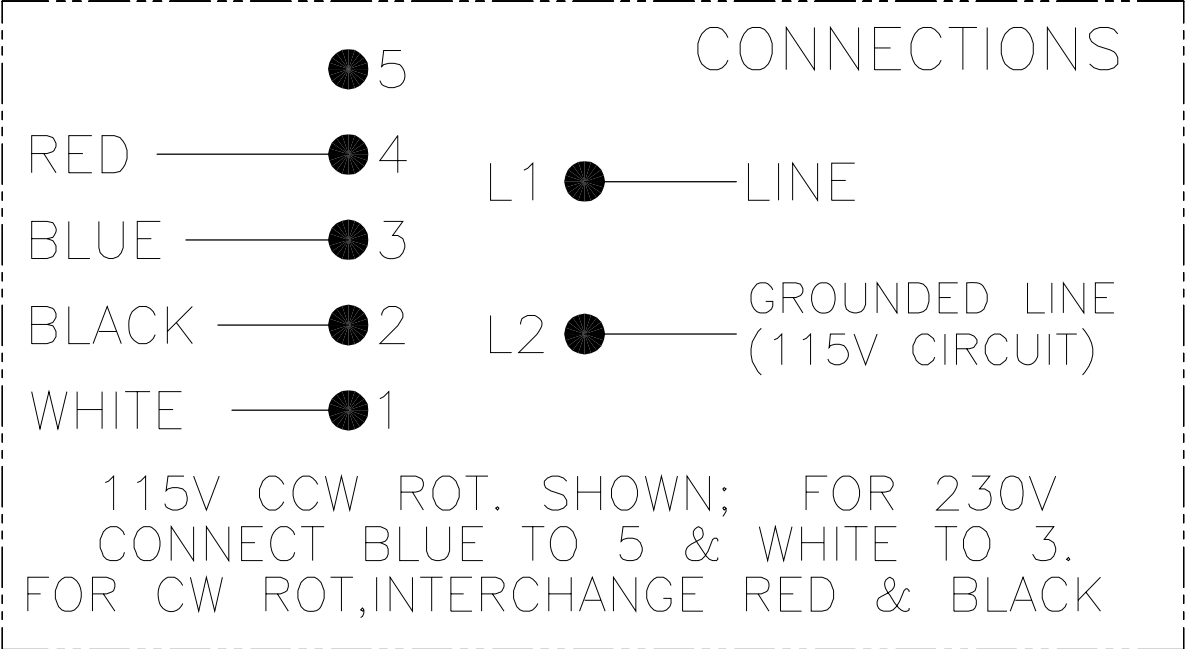
D

C

C

B

B



A

A

4

3

2

1

形位公差 □ 平面度 — 直线度 < 倾斜度 ⊥ 垂直度 // 平行度 ○ 圆度 ⊙ 圆柱度 ⌒ 面轮廓度 △ 线轮廓度 ⤴ 圆跳动 ⊕ 位置度 ⊗ 同轴度 ≡ 对称度	除另有注明 尺寸公差如下: 英寸 X XX XXX XXXX 毫米 ±.1 ±.02 ±.005 ±.0005 毫米 ±0.5 ±0.13 ±0.013 角度 ±.50 度 清理毛刺和尖棱 英寸 .003-.015 毫米 0.1-0.4 内圆角 英寸 .020 毫米 0.5 表面粗糙度 英制 125 米制 3.2 米制尺寸显示在L	绘图: A.BAUGHMAN 11-09-2012 批准: A.BAUGHMAN 11-09-2012 第三角投影  图纸格式发布日期 11-11-2011 图纸格式版本 H	名称 <b>REGAL REGAL-BELOIT CORPORATION</b> CONN DIAGRAM-NAMEPLATE
	机密: 本图纸及相关信息所有权归REGAL-BELOIT CORPORATION 未经REGAL-BELOIT CORPORATION书面授权, 不得泄露、 复制、传播或作其他用途。—版权所有	图幅 C 图号 D0000435-001	
	比例 NONE	页号 1	
	ASME Y14.5M 1994		