

PRODUCT INFORMATION PACKET



Model No: C533
Catalog No: C533

Fan and Blower Motor, 3/4-.210 HP, 1 Ph, 60 Hz, 115 V, 1800 RPM, L56 Frame, DP



Regal and Century are trademarks of Regal Rexnord Corporation or one of its affiliated companies.
©2023 Regal Rexnord Corporation, All Rights Reserved. MC017097E





Nameplate Specifications

Output HP	3/4-.210 Hp	Output KW	0.56 kW
Frequency	60 Hz	Voltage	115 V
Current	10.0/4.0 A	Speed	1725/1140 rpm
Service Factor	1.25	Phase	1
Duty	Continuous	Insulation Class	B
Frame	L56	Enclosure	Drip Proof
Thermal Protection	Thermally Protected	Ambient Temperature	40 °C
UL	Recognized	CSA	Y
CE	N	Number of Speeds	2-2-VT

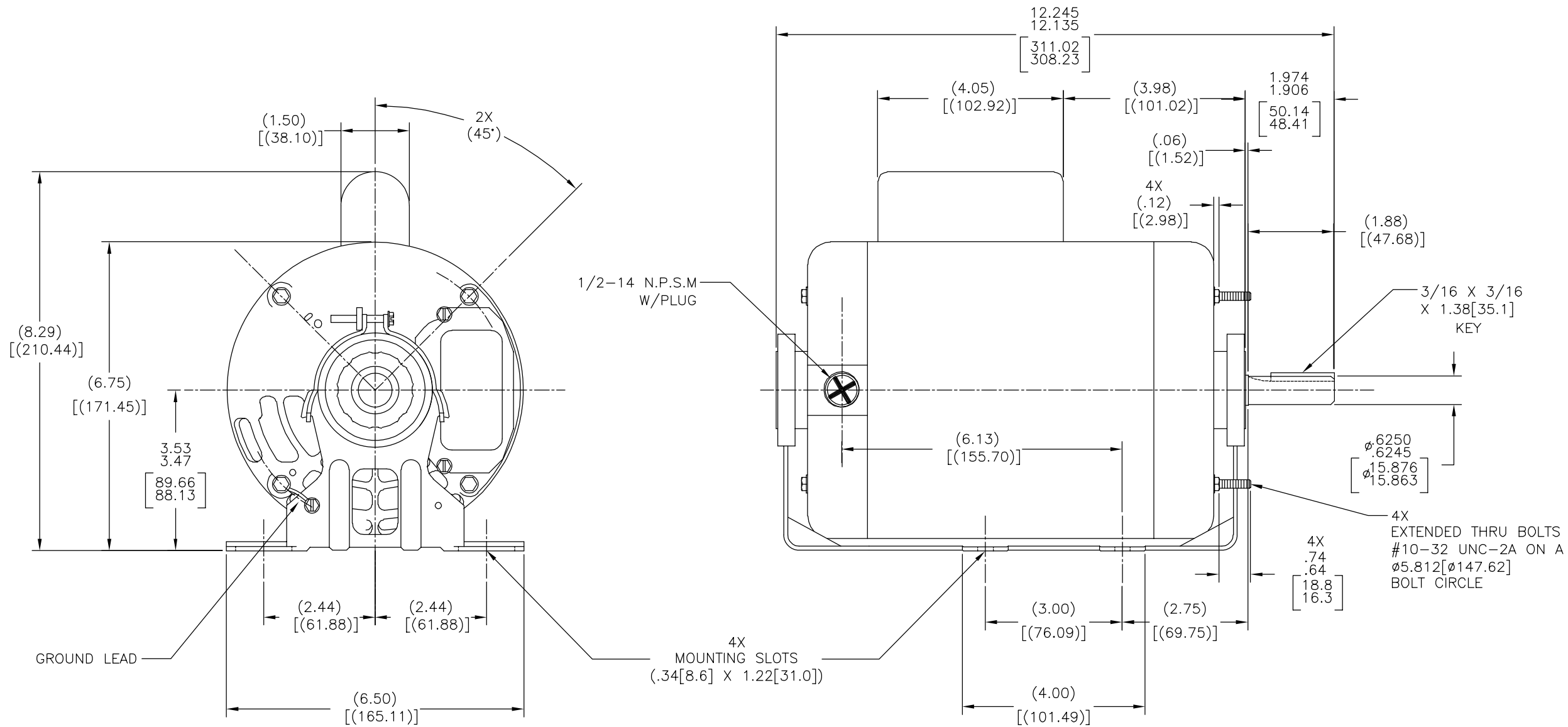
Technical Specifications

Electrical Type	Capacitor Start, Induction Run, Multi-Speed	Starting Method	Across The Line
Poles	4/6	Rotation	Reversible Counterclockwise
Mounting	Cushion Base	Drive End Bearing	Ball
Opp Drive End Bearing	Ball	Frame Material	Rolled Steel
Shaft Type	Keyed	Overall Length	12.25 in
Frame Length	6.25 in	Shaft Diameter	0.625 in
Shaft Extension	1.97 in		
Outline Drawing	C533-S01	Connection Drawing	17050311.PCX

This is an uncontrolled document once printed or downloaded and is subject to change without notice. Date Created:03/15/2023

FRAME	TYPE
L56	CSM

REV	ECO	REV BY	DATE	APPD	DATE
P	ECO-0021386	J. COX	04-11-2011	M. RAMIREZ	04-11-2011



GEOMETRIC CHARACTERISTICS & SYMBOLS

- ▭ FLATNESS
- STRAIGHTNESS
- ∠ ANGULARITY
- ⊥ PERPENDICULARITY (SQUARENESS)
- ∥ PARALLELISM
- ROUNDNESS (CIRCULARITY)
- ⊘ CYLINDRICITY
- △ PROFILE OF ANY SURFACE
- ∩ PROFILE OF ANY LINE
- ↗ RUNOUT
- ⊕ TRUE POSITION
- ◎ CONCENTRICITY
- ≡ SYMMETRY

ASME Y14.5M 1994

UNLESS OTHERWISE SPECIFIED
DIM. TOLERANCES ARE AS FOLLOWS:

INCH	±.1	±.02	±.005	±.0005
mm	±0.5	±0.13	±0.013	

ANG. ±.50 DEG
REMOVE BURRS & BREAK SHARP EDGES:
INCH .003-.015 mm 0.1-0.4
CORNER FILLETS TO:
INCH .020 mm 0.5
MACHINE SURFACES:
INCH 125 mm 3.2

METRIC DIMS. SHOWN IN [BRACKETS]

DR BY:	REX	08-16-1989
APPD:	MLC	08-16-1989
THIRD ANGLE PROJECTION		EDS DATE 11-11-2011 FORMAT REV G
CONFIDENTIAL: THIS DRAWING AND ITS INFORMATION ARE THE EXCLUSIVE AND CONFIDENTIAL PROPERTY OF REGAL-BELOIT CORPORATION AND ARE NOT TO BE DISCLOSED, DUPLICATED, DISTRIBUTED OR OTHERWISE USED WITHOUT THE WRITTEN CONSENT OF REGAL-BELOIT CORPORATION. -ALL RIGHTS RESERVED.		

DESCRIPTION	
MODEL-CFHP-56FR OUTLINE	
SIZE	DWG NO
C	C533
SCALE	SHEET
NONE	1

4

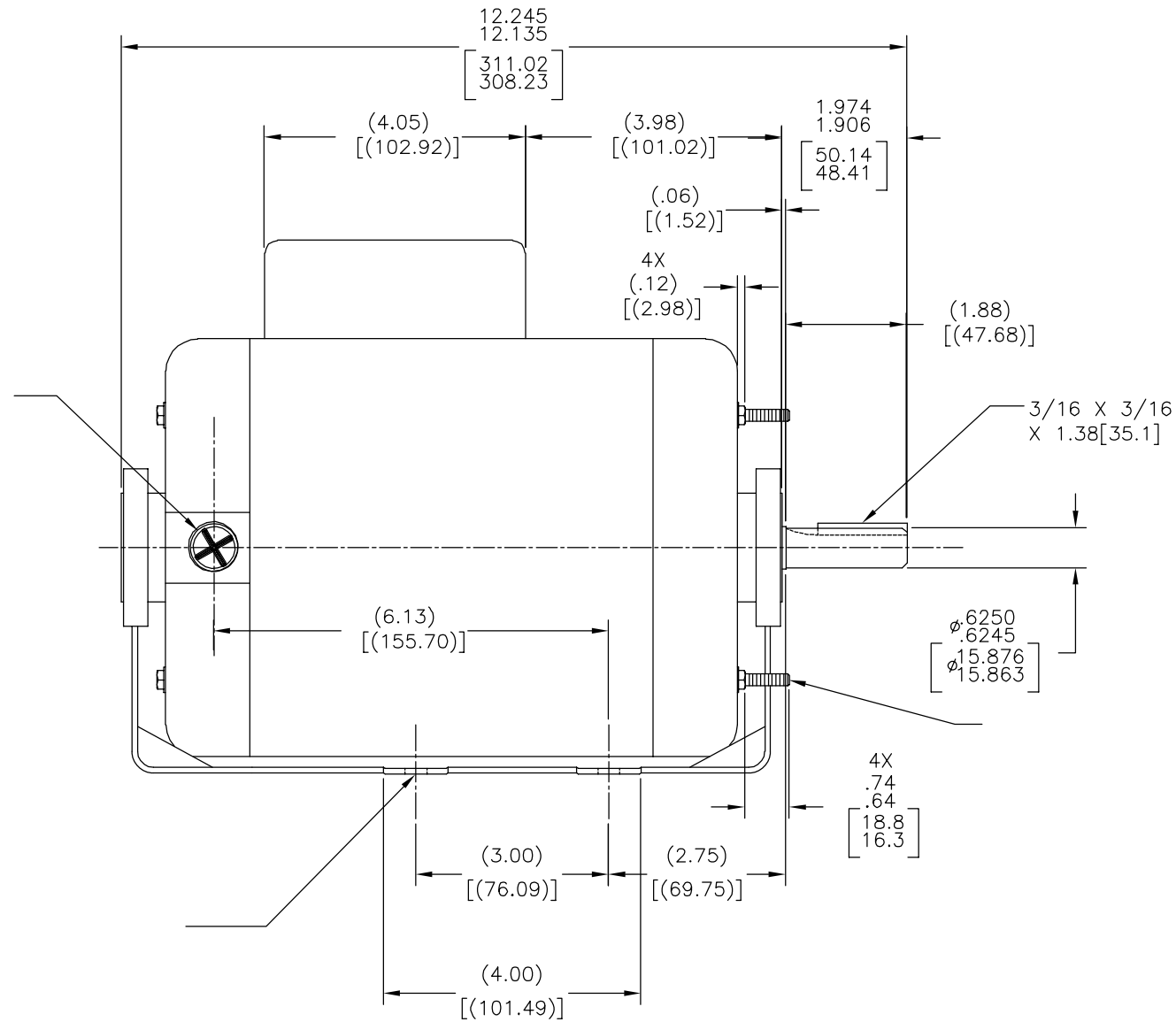
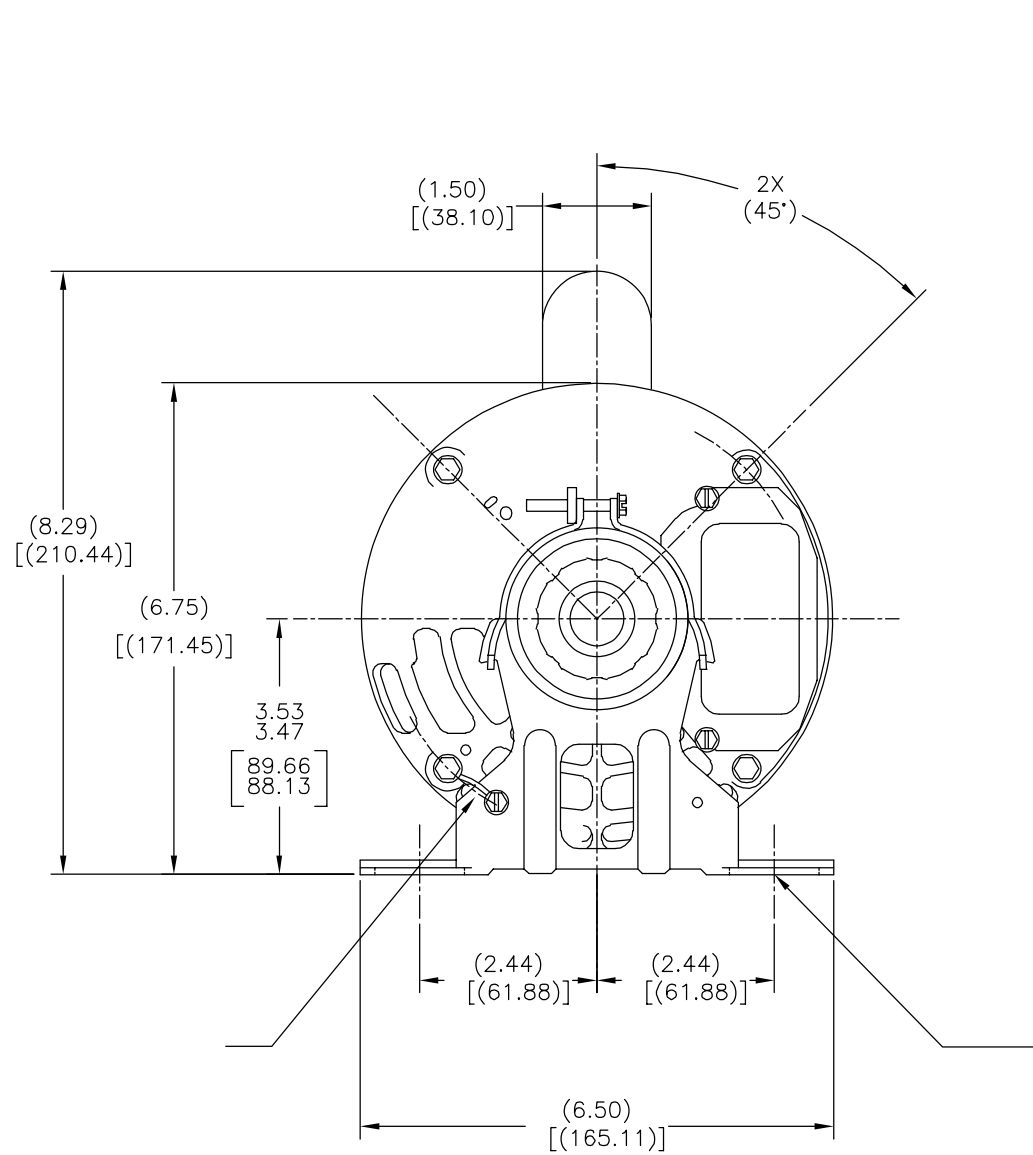
3

2

1

L56	CSM
-----	-----

版本	ECO	编制	日期	批准	日期
P	ECO-0021386	J. COX	04-11-2011	M. RAMIREZ	04-11-2011



形位公差	除另有注明
□ 平面度	尺寸公差如下:
— 直线度	英寸 X XX XXX XXXX
∠ 倾斜度	英寸 ±.1 ±.02 ±.005 ±.0005
⊥ 垂直度	毫米 ±0.5 ±0.13 ±0.013
// 平行度	角度 ±.50 度
○ 圆度	清理毛刺和尖棱
⊘ 圆柱度	英寸 .003-.015 毫米 0.1-0.4
△ 面轮廓度	内圆角
∩ 线轮廓度	英寸 .020 毫米 0.5
↗ 圆跳动	表面粗糙度
⊕ 位置度	英制 125 米制 3.2
⊙ 同轴度	米制尺寸显示在 []

ASME Y14.5M 1994

绘图:	REX	08-16-1989
批准:	MLC	08-16-1989
第三角投影		图纸格式发布日期 11-11-2011 图纸格式版本 G
机密: 本图纸及相关信息所有权归REGAL-BELOIT CORPORATION 未经REGAL-BELOIT CORPORATION书面授权, 不得泄露、 复制、传播或作其他用途。—版权所有		

名称	MODEL-CFHP-56FR OUTLINE
图幅	C
图号	C533
比例	NONE
页号	1

4

3

2

1