

PRODUCT INFORMATION PACKET



Model No: C613

Catalog No: C613

Replaced by 5KC42GN0014X (C262) once inventory depleted -1/2,1725,TEFC,56,1/60/115/208-230
General Purpose Motors



Regal and Century are trademarks of Regal Rexnord Corporation or one of its affiliated companies.
©2021 Regal Rexnord Corporation, All Rights Reserved. MC017097E





Nameplate Specifications

Output HP	1/2 Hp	Output KW	0.37 kW
Frequency	60 Hz	Voltage	115/208-230 V
Current	7.2/3.5-3.6 A	Speed	1725 rpm
Service Factor	1.15	Phase	1
Duty	Continuous	Insulation Class	A
Frame	J56	Enclosure	Totally Enclosed Fan Cooled
Thermal Protection	Thermally Protected	Ambient Temperature	40 °C
UL	Recognized	CSA	Y
CE	N	Number of Speeds	1

Technical Specifications

Electrical Type	Capacitor Start, Induction Run, Single Or Dual Voltage	Starting Method	Across The Line
Poles	4	Rotation	Reversible Counterclockwise
Mounting	Rigid Base	Drive End Bearing	Ball
Opp Drive End Bearing	Ball	Frame Material	Rolled Steel
Shaft Type	Keyed	Overall Length	12.24 in
Frame Length	5.13 in	Shaft Diameter	0.625 in
Shaft Extension	1.94 in		
Outline Drawing	C613-S01	Connection Drawing	17050307.PCX

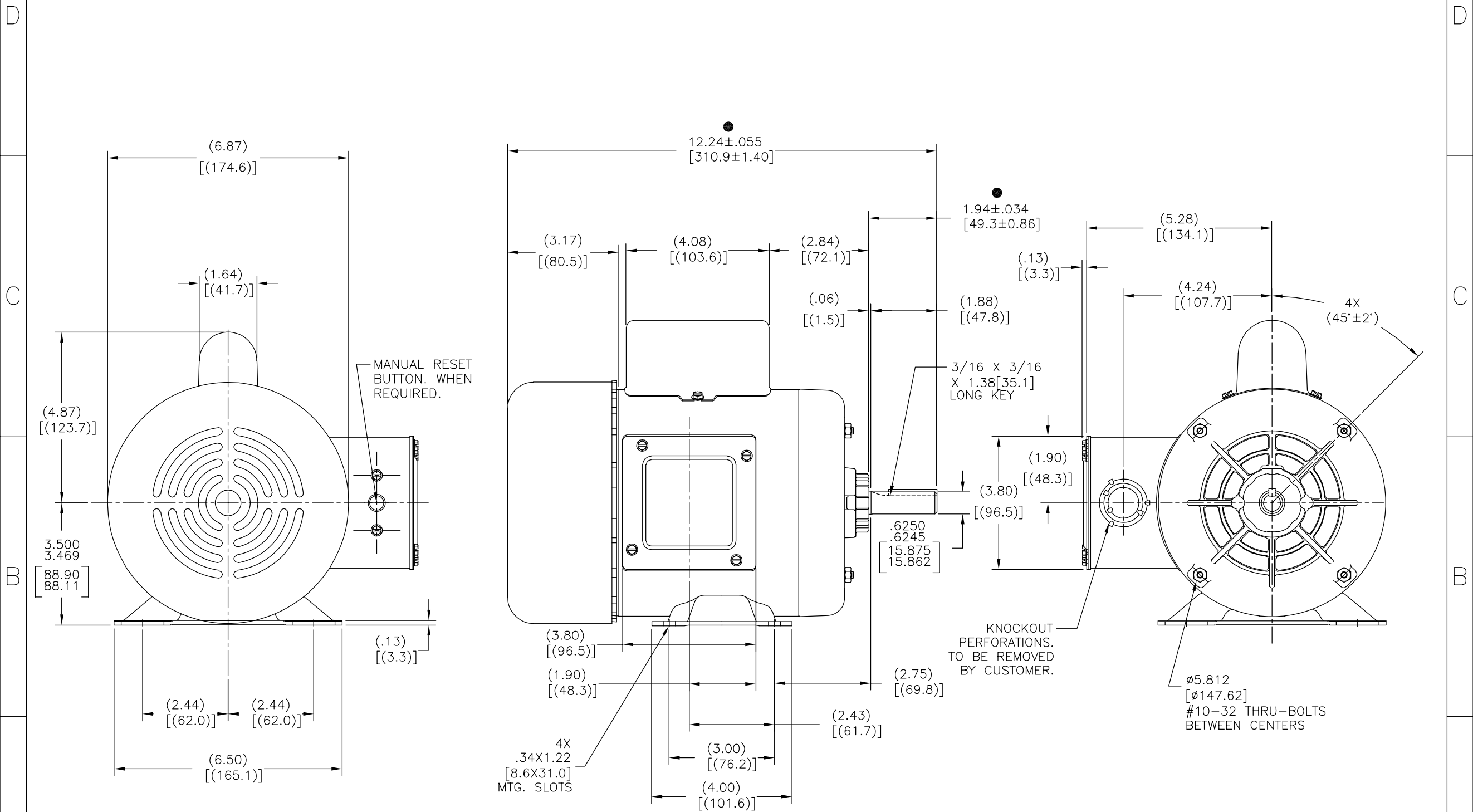
This is an uncontrolled document once printed or downloaded and is subject to change without notice. Date Created:10/11/2021

4 3 2 1

TYPE	FRAME
CS	J56

ALL DIMENSION SHOWN IN PARENTHESIS ARE REFERENCE DIMENSIONS. ALL OTHER DIMENSIONS ARE TOLERANCED PER THE CHART UNLESS OTHERWISE SPECIFIED.

REV	ECO	REV BY	DATE	APPD	DATE
B	0025372	E.SINECIO	04-13-2012	R.RASCON	04-13-2012



GEOMETRIC CHARACTERISTICS & SYMBOLS

- FLATNESS
- STRAIGHTNESS
- ∠ ANGULARITY
- ⊥ PERPENDICULARITY (SQUARENESS)
- ∥ PARALLELISM
- ROUNDNESS (CIRCULARITY)
- ⊘ CYLINDRICITY
- △ PROFILE OF ANY SURFACE
- ∩ PROFILE OF ANY LINE
- ↗ RUNOUT
- ⊕ TRUE POSITION
- ◎ CONCENTRICITY
- ≡ SYMMETRY

ASME Y14.5M 1994

UNLESS OTHERWISE SPECIFIED DIM. TOLERANCES ARE AS FOLLOWS:

INCH	±.1	±.02	±.005	±.0005
mm	±0.5	±0.13	±0.013	

ANG. ±.50 DEG
REMOVE BURRS & BREAK SHARP EDGES:
INCH .003-.015 mm 0.1-0.4
CORNER FILLETS TO:
INCH .020 mm 0.5
MACHINE SURFACES:
INCH 125 mm 3.2

METRIC DIMS. SHOWN IN [BRACKETS]

DR BY: A.DE LUNA 03-03-2011

APPD: S.JIMENEZ 03-03-2011

THIRD ANGLE PROJECTION

EDS DATE 02-22-2008
FORMAT REV G

CONFIDENTIAL: THIS DRAWING AND ITS INFORMATION ARE THE EXCLUSIVE AND CONFIDENTIAL PROPERTY OF REGAL-BELOIT CORPORATION AND ARE NOT TO BE DISCLOSED, DUPLICATED, DISTRIBUTED OR OTHERWISE USED WITHOUT THE WRITTEN CONSENT OF REGAL-BELOIT CORPORATION. -ALL RIGHTS RESERVED.

REGAL-BELOIT CORPORATION

DESCRIPTION: MODEL-CFHP-56FR OUTLINE

SIZE C DWG NO C613

SCALE NONE SHEET 1

A

A

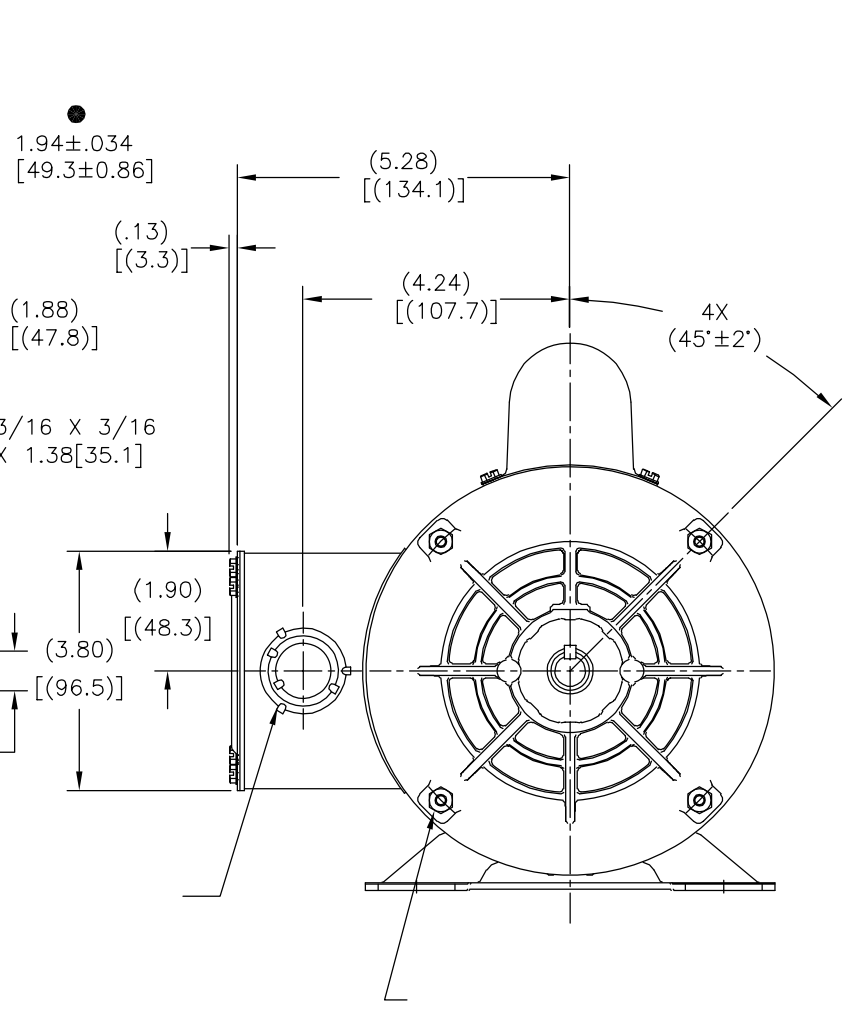
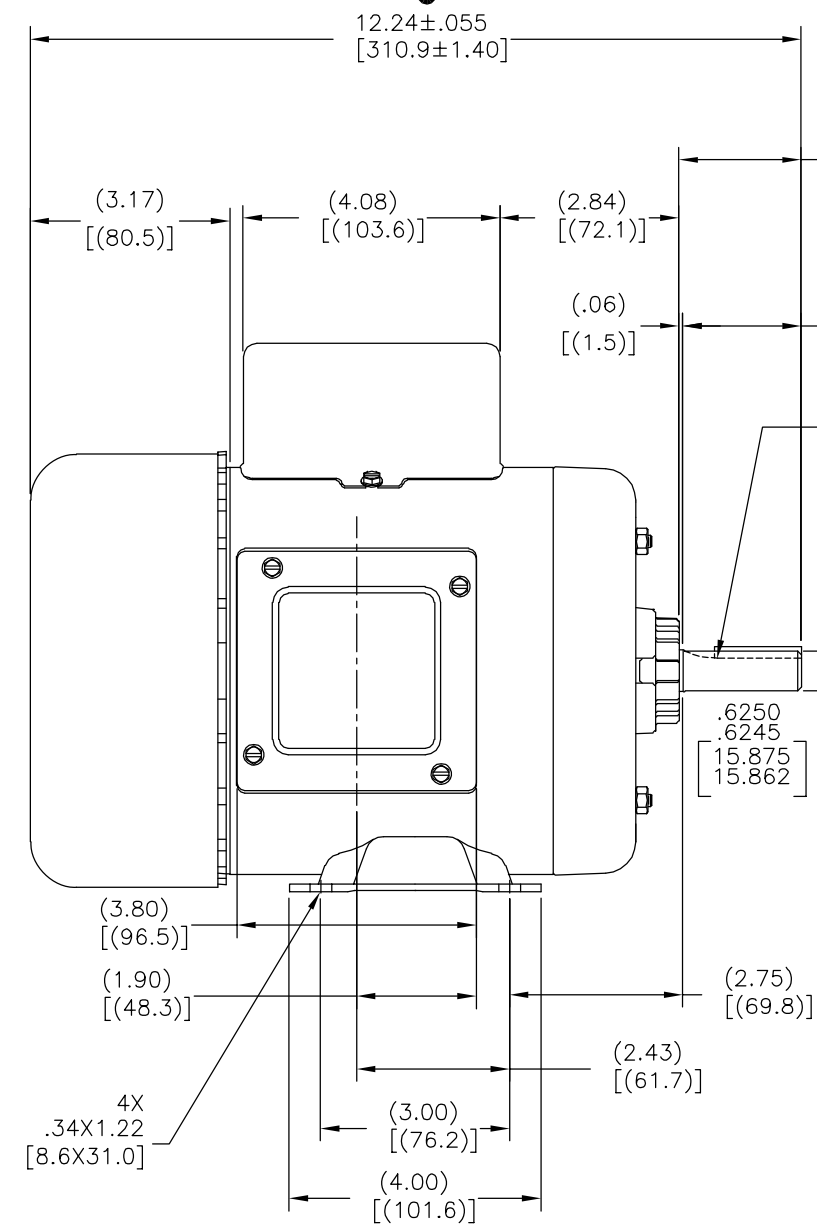
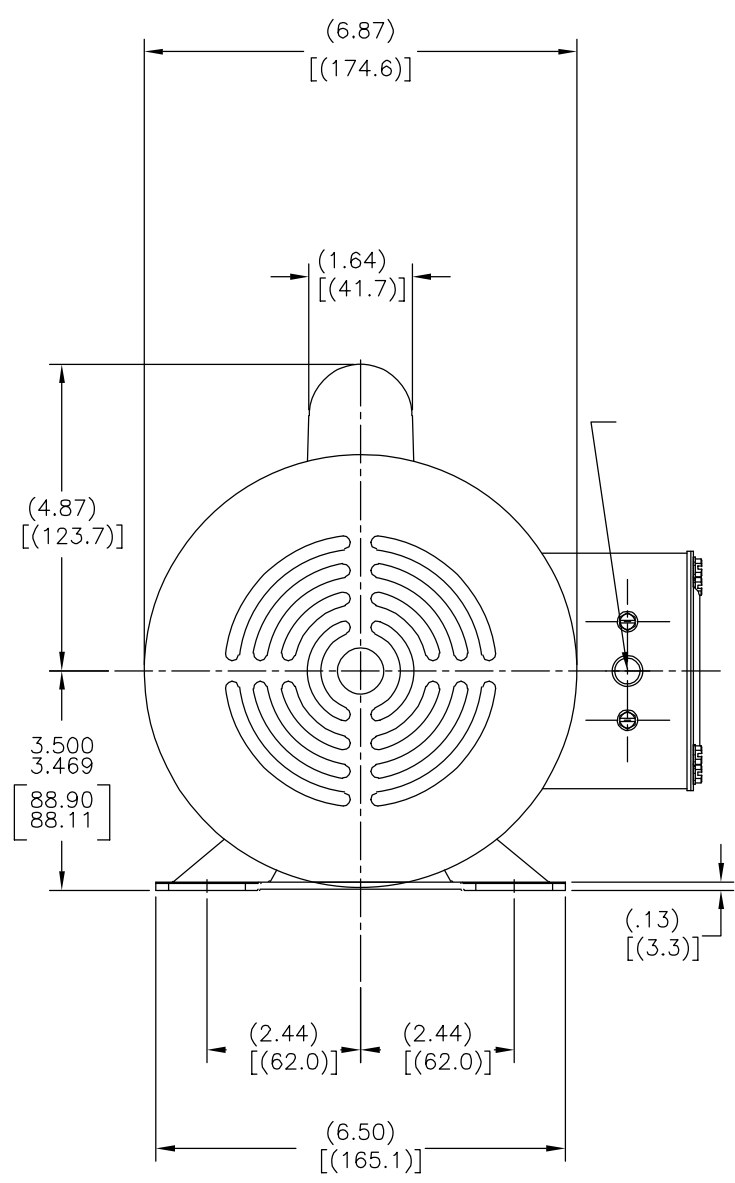
4 3 2 1

版本	ECO	编制	日期	批准	日期
B	0025372	E.SINECIO	04-13-2012	R.RASCON	04-13-2012

CS	J56
----	-----

D
C
B
A

D
C
B
A



- 形位公差
- 平面度
 - 直线度
 - ∠ 倾斜度
 - ⊥ 垂直度
 - // 平行度
 - 圆度
 - ⊘ 圆柱度
 - ⊖ 内圆角
 - △ 面轮廓度
 - ⊖ 线轮廓度
 - ↗ 圆跳动
 - ⊕ 位置度
 - ⊙ 同轴度
 - ≡ 对称度

除另有注明
尺寸公差如下:

英寸	±.1	±.02	±.005	±.0005
毫米	±0.5	±0.13	±0.013	

角度 ±.50 度
清理毛刺和尖棱
英寸 .003-.015 毫米 0.1-0.4
内圆角
英寸 .020 毫米 0.5
表面粗糙度
英制 125 米制 3.2

米制尺寸显示在 []

ASME Y14.5M 1994

绘图: A.DE LUNA 03-03-2011
批准: S.JIMENEZ 03-03-2011
第三角投影 图纸格式发布日期 02-22-2008
图纸格式版本 G
机密: 本图纸及相关信息所有权归REGAL-BELOIT CORPORATION
未经REGAL-BELOIT CORPORATION书面授权, 不得泄露、
复制、传播或作其他用途。—版权所有

名称 MODEL-CFHP-56FR OUTLINE	
图幅 C	图号 C613
比例 NONE	页号 1

4

3

2

1