

PRODUCT INFORMATION PACKET



Model No: C645
Catalog No: C645
1/2 HP General Purpose Motor, 1 phase, 1800 RPM, 115/230 V, 56 Frame, ODP
General Purpose Motors



Regal and Century are trademarks of Regal Rexnord Corporation or one of its affiliated companies.
©2021 Regal Rexnord Corporation, All Rights Reserved. MC017097E





Nameplate Specifications

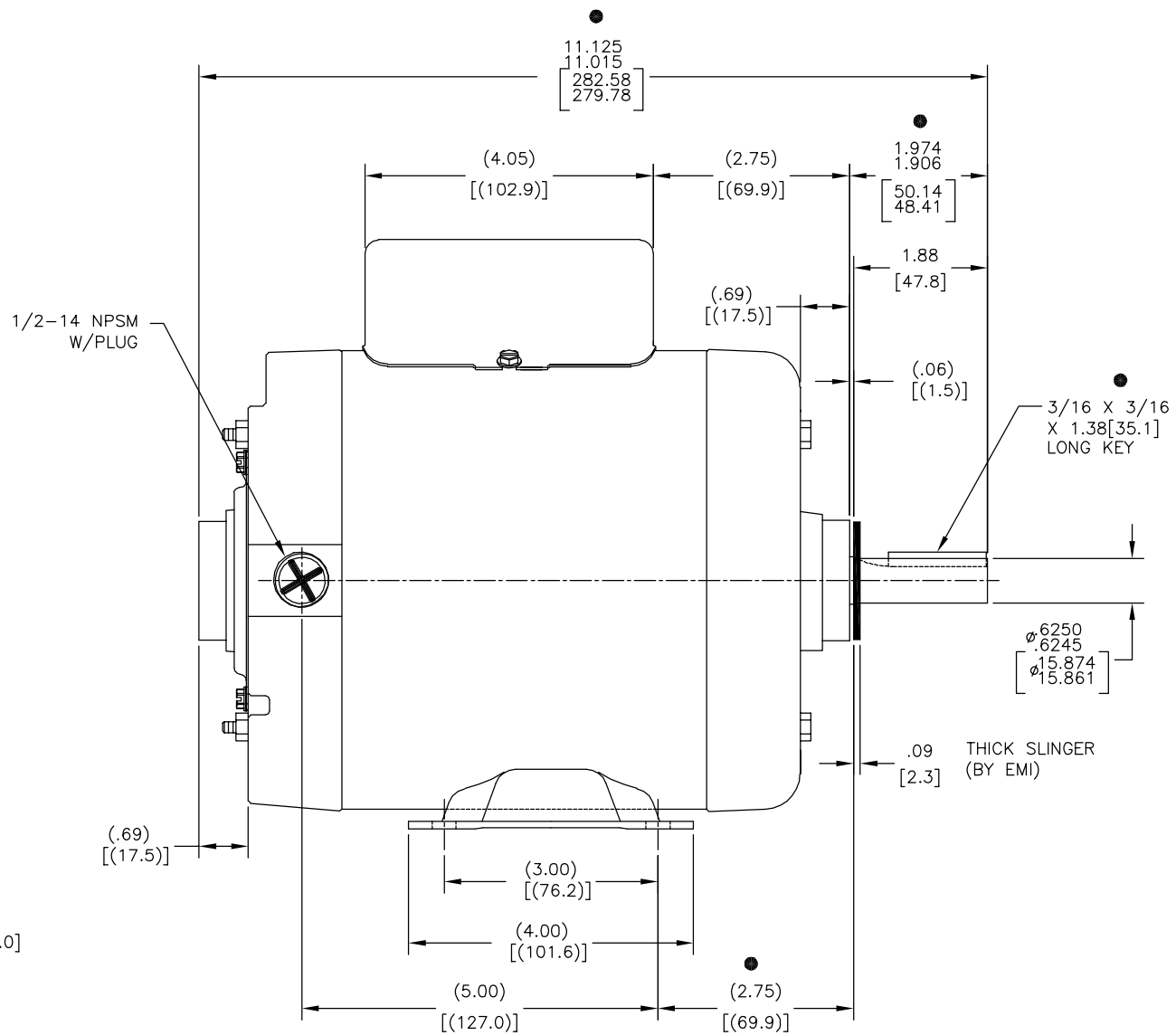
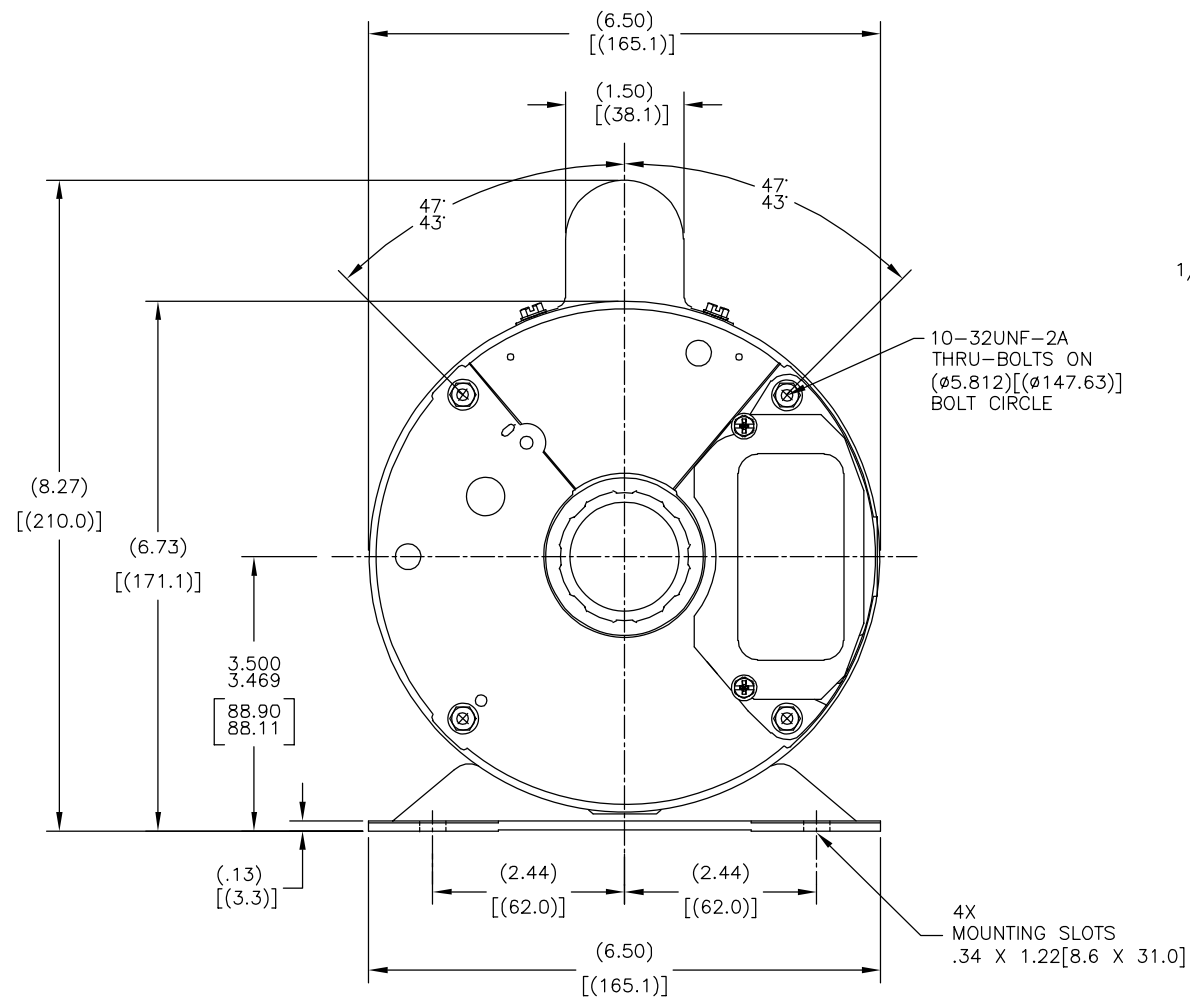
Output HP	1/2 Hp	Output KW	0.37 kW
Frequency	60 Hz	Voltage	115/230 V
Current	8.2/4.1 A	Speed	1725 rpm
Service Factor	1	Phase	1
Duty	Continuous	Insulation Class	A
Frame	J56	Enclosure	Drip Proof
Thermal Protection	None	Ambient Temperature	40 °C
UL	Recognized	CSA	Y
CE	N	Number of Speeds	1

Technical Specifications

Electrical Type	Capacitor Start , Special Service	Starting Method	Across The Line
Poles	4	Rotation	Reversible Counterclockwise
Mounting	Rigid Base	Drive End Bearing	Sleeve
Opp Drive End Bearing	Sleeve	Frame Material	Rolled Steel
Shaft Type	Keyed	Overall Length	11.13 in
Frame Length	5.13 in	Shaft Diameter	0.625 in
Shaft Extension	1.97 in		
Outline Drawing	C645-S01	Connection Drawing	17050320.PCX

This is an uncontrolled document once printed or downloaded and is subject to change without notice. Date Created:10/07/2021

FRAME	TYPE
J56	CSS



● = CRITICAL DIMENSION

DRAWING REVISION R	REVISION BY D.VALENCIANO	DATE 10-29-2014	TOLERANCES UNLESS OTHERWISE SPECIFIED DEC. INCH mm ANGLE .X ±0.1 [±2.5] ±0.5° .XX ±0.02 [±0.51] .XXX ±0.005 [±0.127] .XXXX ±0.0005 [±0.0127]	DRAWN BY:	Regal Beloit America, Inc.	
ECO-0063324	APPROVED BY D.VALENCIANO	DATE 10-29-2014	REMOVE BURRS & BREAK SHARP EDGES .003/.015 [0.076/.381] CORNER FILLETS .02 [0.51] MACHINED SURFACES $\sqrt{125}$ INCH $\sqrt{3.2}$ mm SHOWN IN [BRACKETS]	DATE:		DESCRIPTION MODEL-CFHP-56FR OUTLINE
COPYRIGHT REGAL BELOIT AMERICA, INC. ALL RIGHTS RESERVED. PROPRIETARY AND CONFIDENTIAL INFORMATION - THIS DOCUMENT IS THE PROPERTY OF REGAL BELOIT AMERICA, INC. (OWNER) AND CONTAINS OWNER'S PROPRIETARY INFORMATION. ANY PERSON, CORPORATION OR OTHER FIRM RECEIVING IT IS DEEMED, BY RECEIVING IT, TO AGREE THAT IT, AND/OR ANY PART OF IT, SHALL NOT BE DISCLOSED TO ANY PERSON, CORPORATION OR OTHER ENTITY, DUPLICATED, AND/OR USED, EXCEPT AS EXPRESSLY APPROVED IN WRITING IN ADVANCE BY OWNER. THIS DOCUMENT SHALL BE RETURNED TO OWNER UPON REQUEST. IT MAY BE SUBJECT TO CERTAIN RESTRICTIONS UNDER APPLICABLE EXPORT CONTROL LAWS AND REGULATIONS.				APPROVED BY:	MATERIAL	PROCESS/FINISH
UPDATED TITLE BLOCK				DATE:	SIZE DWG NO C 645	SHEET 1
				REFERENCE		
				THIRD ANGLE PROJECTION		