

# PRODUCT INFORMATION PACKET



Model No: C686  
Catalog No: C686

Replaced by 5KCR48WN0273X (G1377) once inventory depleted - 1.5,1725,TEFC,56H,1/60/208-230/115  
General Purpose Motors



Regal and Century are trademarks of Regal Rexnord Corporation or one of its affiliated companies.  
©2021 Regal Rexnord Corporation, All Rights Reserved. MC017097E





### Nameplate Specifications

Output HP	1.5 Hp	Output KW	1.1 kW
Frequency	60 Hz	Voltage	208-230/115 V
Current	7.8-7.5/15.0 A	Speed	1725 rpm
Service Factor	1.15	Phase	1
Duty	Continuous	Insulation Class	B
Frame	M56H	Enclosure	Totally Enclosed Fan Cooled
Thermal Protection	Thermally Protected	Ambient Temperature	40 °C
UL	Recognized	CSA	Y
CE	N	Number of Speeds	1

### Technical Specifications

Electrical Type	Capacitor Start, Capacitor Run, Single Or Dual Voltage	Starting Method	Across The Line
Poles	4	Rotation	Reversible Counterclockwise
Mounting	Rigid Base	Drive End Bearing	Ball
Opp Drive End Bearing	Ball	Frame Material	Rolled Steel
Shaft Type	Keyed	Overall Length	13.86 in
Frame Length	6.75 in	Shaft Diameter	0.625 in
Shaft Extension	1.94 in		
Connection Drawing	17050307.PCX	Outline Drawing	18991101

This is an uncontrolled document once printed or downloaded and is subject to change without notice. Date Created:10/11/2021

4

3

2

1

REV	DATE	ECN	DESCRIPTION	REV BY	APPD
3	2000/03/03	OOM17351	ADDED NOTE TO SPECIFY "KNOCKOUTS REMOVED BY CUSTOMER".	davhol	

GROUP	TYPE	FRAME	"C"	(BS)	(XA)	(XG)	(XH)	(XN)
-01	CS	M143T	13.73	4.05	2.01	3.97	4.06	5.20
-02								
-03								

ALL DIMENSIONS SHOWN IN PARENTHESIS ARE REFERENCE DIMENSIONS. ALL OTHER DIMENSIONS ARE TOLERANCED PER THE FOLLOWING CHART UNLESS OTHERWISE SPECIFIED.

- "C" DIM. = +/- .055
- SHAFT EXT. = +/- .034
- LEAD LENGTHS = +/- 1.00
- EXTENDED THRU-BOLTS = +/- .050
- ANGULAR DIM. = +/- 2'

D

D

C

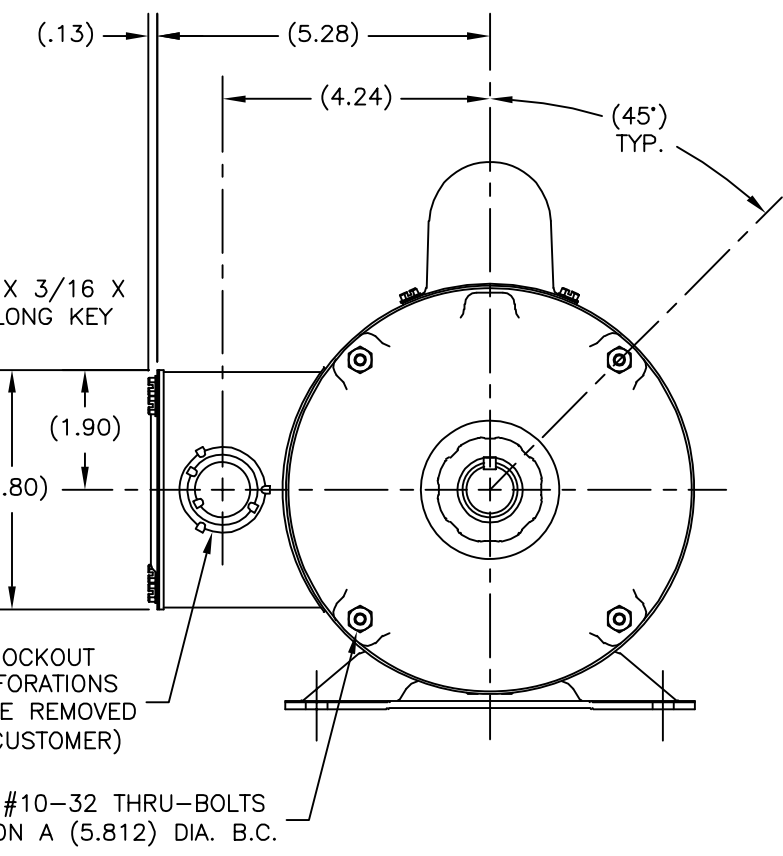
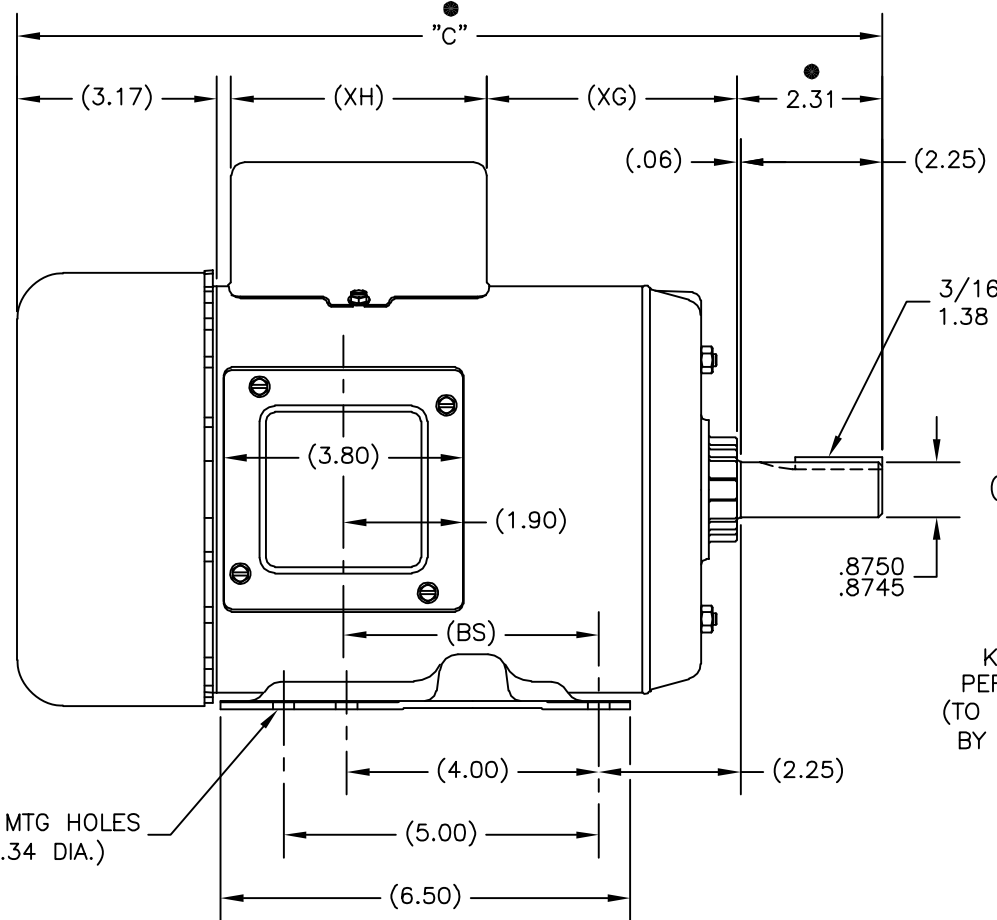
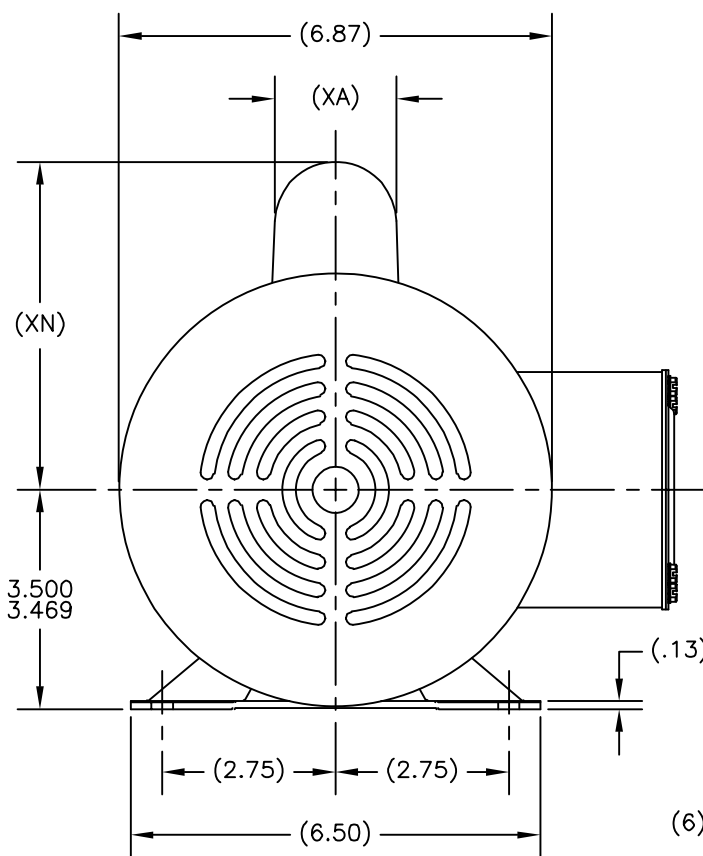
C

B

B

A

A



● = CRITICAL DIMENSION

AUTOCAD FORM 3	UNLESS OTHERWISE SPECIFIED DIM ARE IN INCHES .X = ± .1 .XX = ± .02 .XXX = ± .005 .XXXX = ± .0005 ANG = ± .5	DR BY: davhol 1999/10/11	1181 CORPORATE LAKE DRIVE ST. LOUIS, MISSOURI 63132
	THE INFORMATION HEREON IS THE PROPERTY OF MAGNETEK INC. AND/OR ITS SUBSIDIARIES. WITHOUT WRITTEN PERMISSION, ANY COPYING, TRANSMITTAL TO OTHERS, AND ANY USE EXCEPT THAT FOR WHICH IT IS LOANED, IS PROHIBITED.	CK BY:	
		APPD:	SIZE: C DWG NO: 189913
		ISS:	REV: 3
	THIRD ANGLE PROJECTION	SCALE: 1=1	SHEET 1 OF 1

4

3

2

1

4

3

2

1

REV	DATE	ECN	DESCRIPTION	REV BY	APPD
3	2000/03/03	OOM17351	ADDED NOTE TO SPECIFY "KNOCKOUTS REMOVED BY CUSTOMER".	davhol	

GROUP	TYPE	FRAME	"C"	(BS)	(XA)	(XG)	(XH)	(XN)
-01	CS	M143T	13.73	4.05	2.01	3.97	4.06	5.20
-02								
-03								

ALL DIMENSIONS SHOWN IN PARENTHESIS ARE REFERENCE DIMENSIONS. ALL OTHER DIMENSIONS ARE TOLERANCED PER THE FOLLOWING CHART UNLESS OTHERWISE SPECIFIED.

"C" DIM. = +/- .055  
 SHAFT EXT. = +/- .034  
 LEAD LENGTHS = +/- 1.00  
 EXTENDED THRU-BOLTS = +/- .050  
 ANGULAR DIM. = +/- 2'

D

D

C

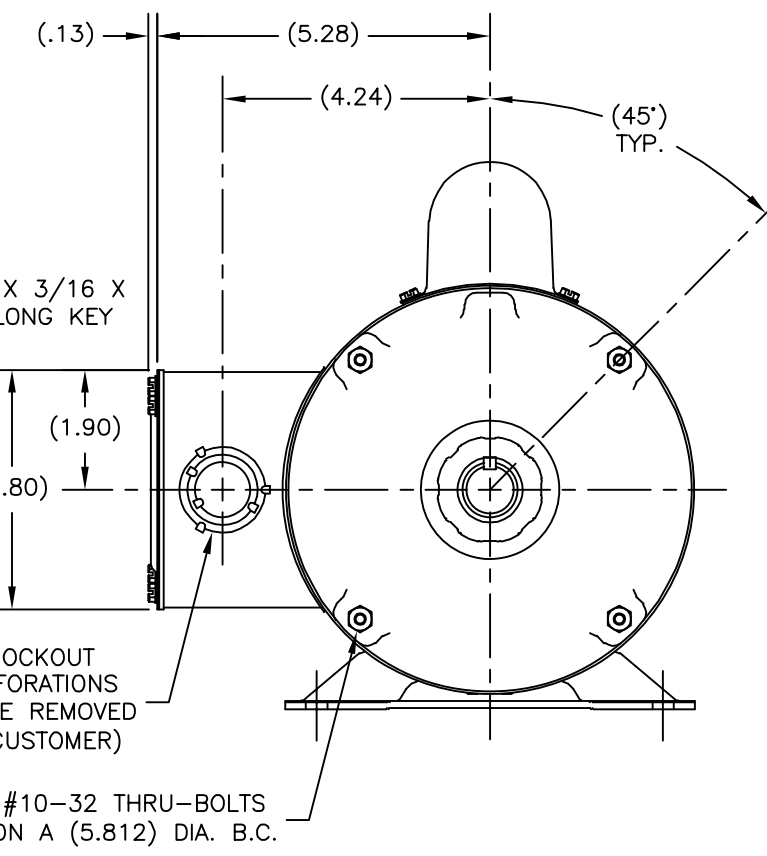
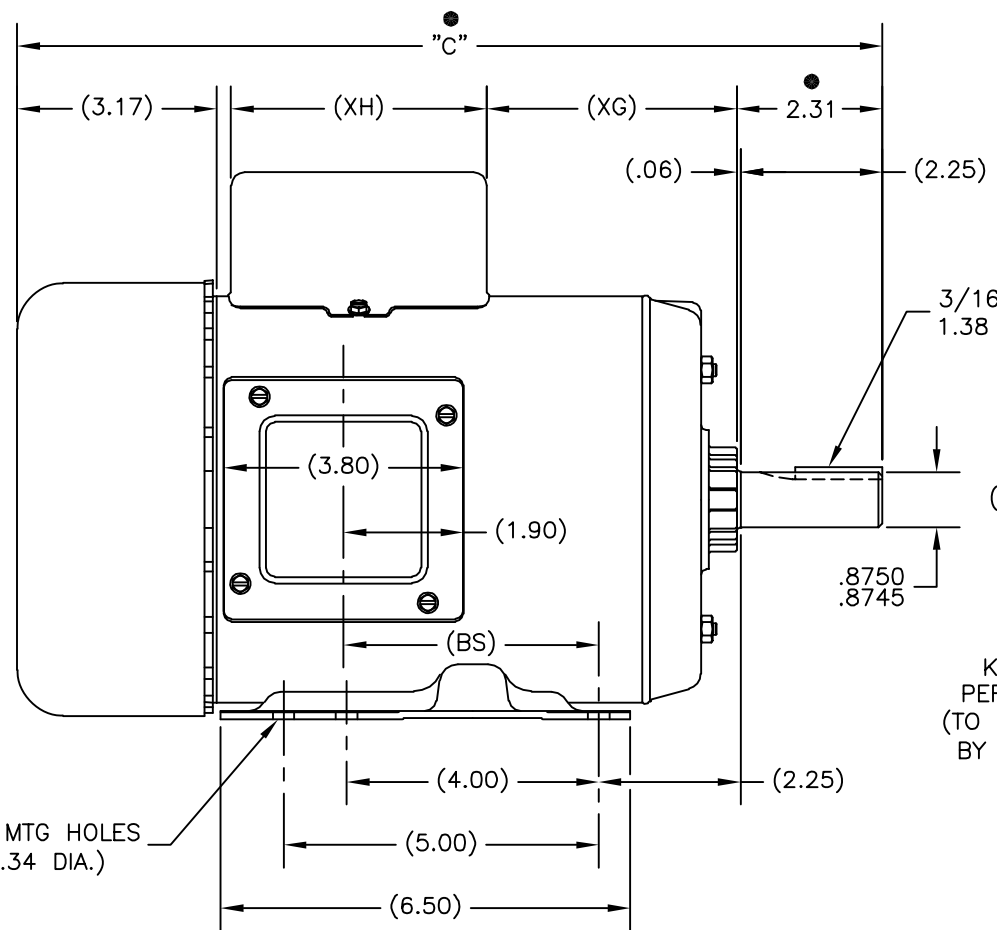
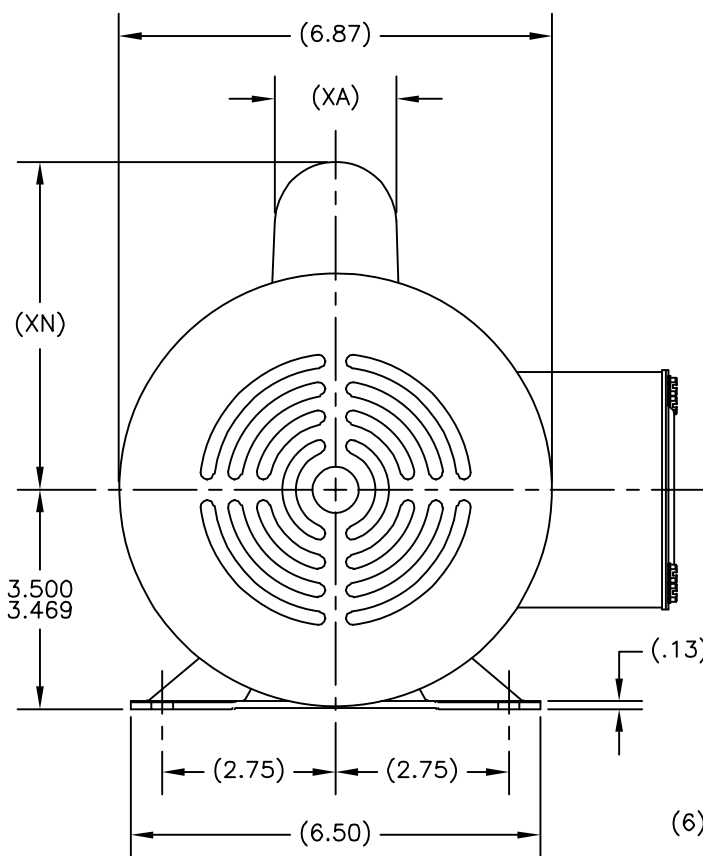
C

B

B

A

A



● = CRITICAL DIMENSION

AUTOCAD FORM 3	UNLESS OTHERWISE SPECIFIED DIM ARE IN INCHES .X = ± .1 .XX = ± .02 .XXX = ± .005 .XXXX = ± .0005 ANG = ± .5	DR BY: davhol 1999/10/11	1181 CORPORATE LAKE DRIVE ST. LOUIS, MISSOURI 63132
	THE INFORMATION HEREON IS THE PROPERTY OF MAGNETEK INC. AND/OR ITS SUBSIDIARIES. WITHOUT WRITTEN PERMISSION, ANY COPYING, TRANSMITTAL TO OTHERS, AND ANY USE EXCEPT THAT FOR WHICH IT IS LOANED, IS PROHIBITED.	CK BY:	
		APPD:	SIZE: C DWG NO: 189913
		ISS:	REV: 3
	THIRD ANGLE PROJECTION	SCALE: 1=1	SHEET 1 OF 1

4

3

2

1

4

3

2

1

REV	DATE	ECN	DESCRIPTION	REV BY	APPD
3	2000/03/03	OOM17351	ADDED NOTE TO SPECIFY "KNOCKOUTS REMOVED BY CUSTOMER".	davhol	

GROUP	TYPE	FRAME	"C"	(BS)	(XA)	(XG)	(XH)	(XN)
-01	CS	M143T	13.73	4.05	2.01	3.97	4.06	5.20
-02								
-03								

ALL DIMENSIONS SHOWN IN PARENTHESIS ARE REFERENCE DIMENSIONS. ALL OTHER DIMENSIONS ARE TOLERANCED PER THE FOLLOWING CHART UNLESS OTHERWISE SPECIFIED.

- "C" DIM. = +/- .055
- SHAFT EXT. = +/- .034
- LEAD LENGTHS = +/- 1.00
- EXTENDED THRU-BOLTS = +/- .050
- ANGULAR DIM. = +/- 2'

D

D

C

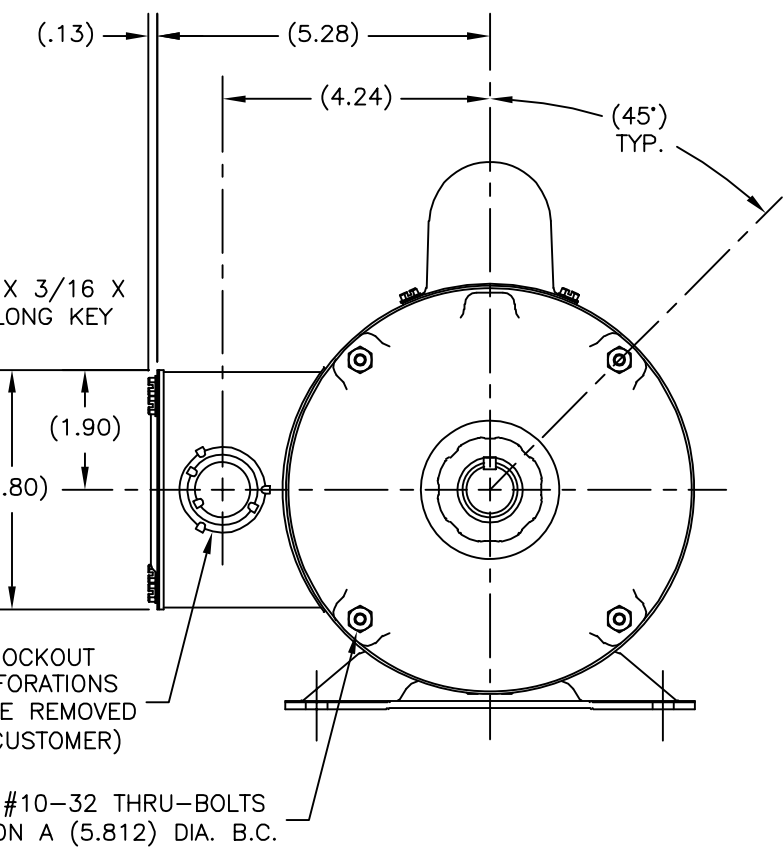
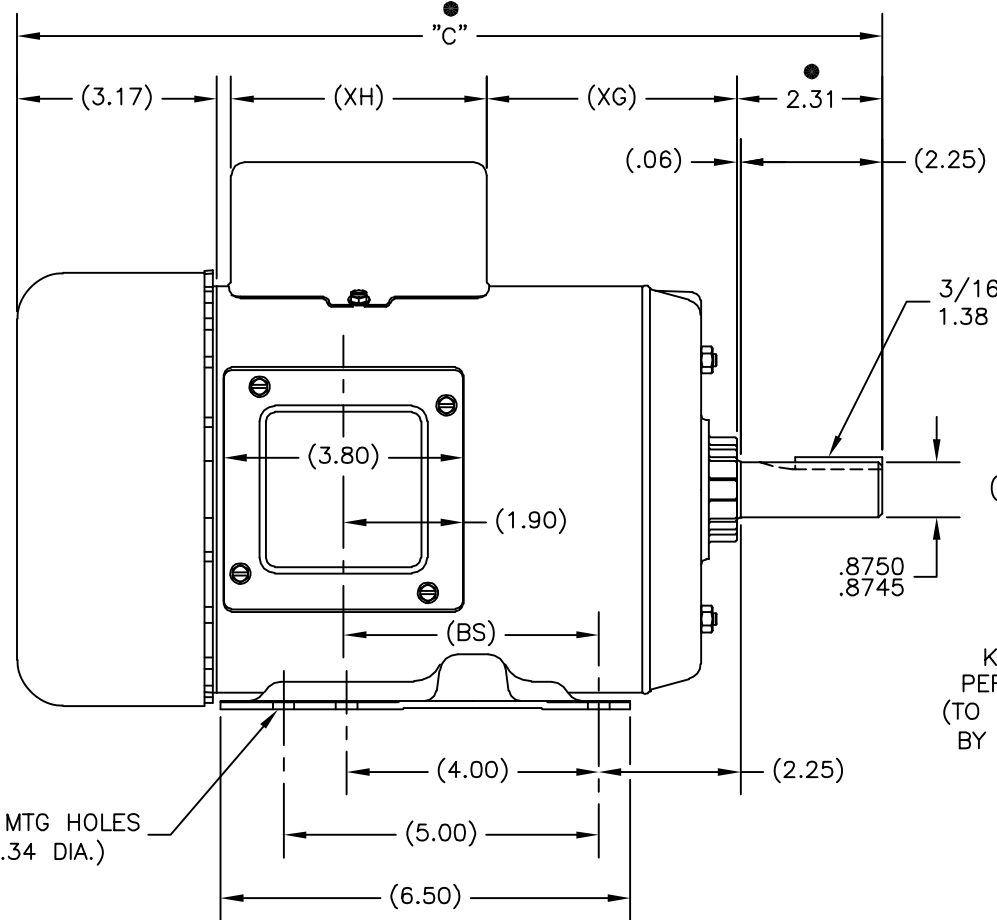
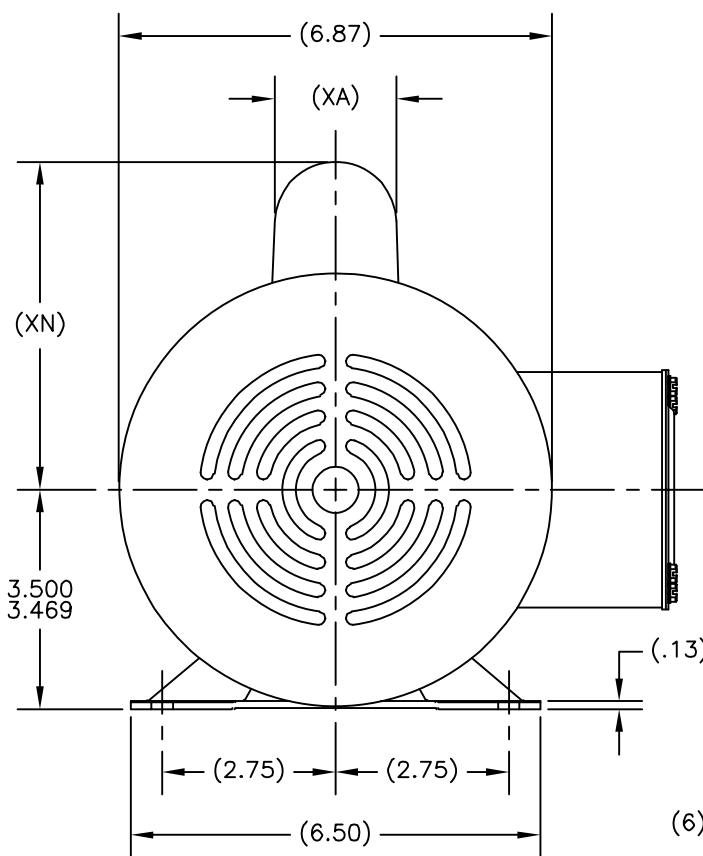
C

B

B

A

A



● = CRITICAL DIMENSION

AUTOCAD FORM 3	UNLESS OTHERWISE SPECIFIED DIM ARE IN INCHES .X = ± .1 .XX = ± .02 .XXX = ± .005 .XXXX = ± .0005 ANG = ± .5	DR BY: davhol 1999/10/11	1181 CORPORATE LAKE DRIVE ST. LOUIS, MISSOURI 63132	
	THE INFORMATION HEREON IS THE PROPERTY OF MAGNETEK INC. AND/OR ITS SUBSIDIARIES. WITHOUT WRITTEN PERMISSION, ANY COPYING, TRANSMITTAL TO OTHERS, AND ANY USE EXCEPT THAT FOR WHICH IT IS LOANED, IS PROHIBITED.	CK BY:		TITLE: 140T DWG O-LINE BB TEFC
		APPD:	SIZE: C DWG NO: 189913	REV: 3
		ISS:	SCALE: 1=1 SHEET 1 OF 1	

4

3

2

1