

PRODUCT INFORMATION PACKET



Model No: C720A

Catalog No: C720A

Transformer Cooling Fan Motor, 1/6 HP, 1 Ph, 60 Hz, 208-230 V, 1140/950 RPM, 2 Speed, 48 Frame,
ENCLOSED



Regal and Century are trademarks of Regal Rexnord Corporation or one of its affiliated companies.

©2022 Regal Rexnord Corporation, All Rights Reserved. MC017097E





Nameplate Specifications

Output HP	1/6 Hp	Output KW	0.13 kW
Frequency	60 Hz	Voltage	208-230 V
Current	0.9/1.1 A	Speed	1140/950 rpm
Service Factor	1	Phase	1
Duty	Air Over	Insulation Class	B
Frame	F48Y	Enclosure	Totally Enclosed
Thermal Protection	Automatic	Ambient Temperature	40 °C
UL	Recognized	CSA	Y
CE	N	Number of Speeds	2

Technical Specifications

Electrical Type	Permanent Split Capacitor	Starting Method	Across The Line
Poles	6	Rotation	Reversible
Mounting	Rigid Base	Motor Orientation	Any
Drive End Bearing	Ball	Opp Drive End Bearing	Ball
Frame Material	Rolled Steel	Shaft Type	Keyed
Overall Length	9.55 in	Frame Length	5.25 in
Shaft Diameter	0.625 in	Shaft Extension	1.45 in
Connection Drawing	614131-358	Outline Drawing	F48Z37A01-S01

This is an uncontrolled document once printed or downloaded and is subject to change without notice. Date Created:11/28/2022

4

3

2

1

REV	ECO	REV BY	DATE	APPD	DATE
C	0005871	K.PALOMO	05-12-2009	A.BAUGHMAN	05-12-2009

GENERAL INFORMATION:

SHAFT RUNOUT: .001[.03] T.I.R. PER INCH LENGTH OF EXTENSION

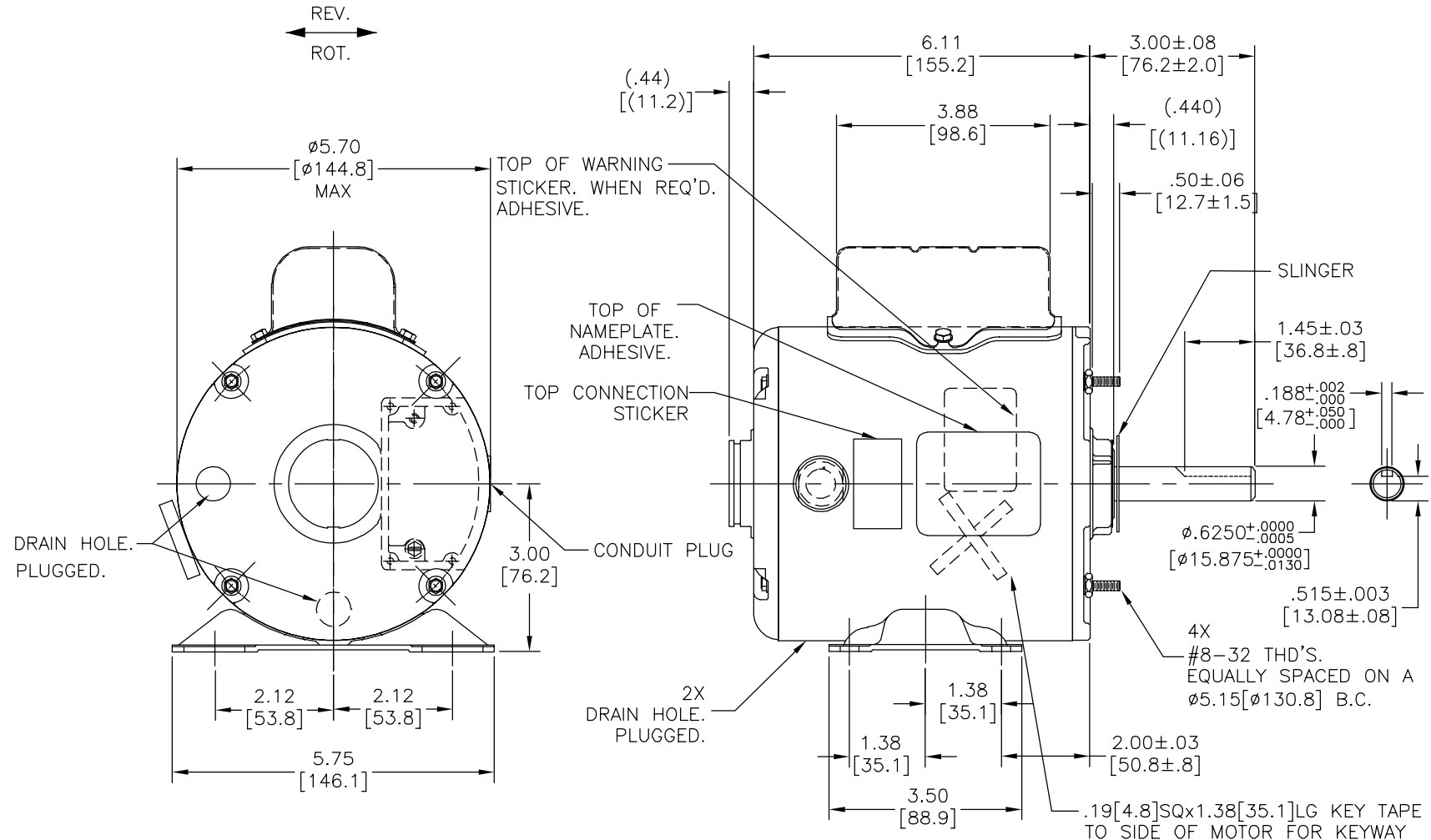
BEARINGS: 203 BALL BEARING

MOUNTING POSITION: ALL ANGLE

ELECTRICAL DATA:

OVERLOAD PROTECTOR: AUTOMATIC RESET (T.I. 7AM 036)

LEADS: NO. 18 GA., .03[.8] THK. 125°C INSUL.



NAMEPLATE DATA:	EXTERNAL CONNECTION DIAGRAM
MODEL NO.: F48Z37A01 CUST. P/N: C720A HP: 1/6 ROT.: REV. RPM: 1140/950 TYPE: UF FRAME: 48Y VOLTS: 208-230 PH: 1 AMPS: 0.9/1.1 HZ: 60/50 INS.: B AMB.: 40°C DUTY: AIR OVER CAP.: 4 MFD/370V ENCL: ENCLOSED UL LOGO CSA LOGO THERMALLY PROTECTED	<p>BROWN SEP.CAP</p> <p>BLUE</p> <p>YE/BK</p> <p>BLACK</p> <p>YELLOW LINE</p> <p>BLUE</p> <p>RED</p> <p>CCWLE</p> <p>BROWN SEP.CAP</p> <p>BLUE</p> <p>YE/BK</p> <p>BLACK</p> <p>BLUE LINE</p> <p>YELLOW</p> <p>RED</p> <p>CWLE</p> <p>MOTOR CONNECTED FOR CCWLE ROTATION 614131-358</p>

BROWN	5.0/7.0 [127/178]	.25[6.4] FLAG
BLUE	8.0/9.0 [203/229]	.50[12.7] SKIN
YEL/BLK	5.0/7.0 [127/178]	.50[12.7] SKIN
BLACK	5.0/7.0 [127/178]	.50[12.7] SKIN
YELLOW	5.0/7.0 [127/178]	.50[12.7] SKIN
RED	5.0/7.0 [127/178]	.50[12.7] SKIN
COLOR	LENGTH	TERMINAL OR STRIP LENGTH

MAIN FRAME - OLE	ENCLOSED WITH DRAIN PLUG
END FRAME - OLE	ENCLOSED WITH DRAIN PLUG
MAIN FRAME - LE	ENCLOSED WITH DRAIN PLUG
END FRAME - LE	ENCLOSED WITH DRAIN PLUG

PERFORMANCE CURVE NO.	TORQUE @ 1140 RPM (25°C)	APPROVED SAMPLE	UL COMPONENT FILE #	GUIDE#	CSA FILE #	GUIDE#
C32713	12.4 OZ. FT.	0603146C	E46412	PRGY2	LR43341	4211-01

GEOMETRIC CHARACTERISTICS & SYMBOLS

- FLATNESS
- STRAIGHTNESS
- ∠ ANGULARITY
- ⊥ PERPENDICULARITY (SQUARENESS)
- // PARALLELISM
- ROUNDNESS (CIRCULARITY)
- ⊘ CYLINDRICITY
- △ PROFILE OF ANY SURFACE
- ∩ PROFILE OF ANY LINE
- ↗ RUNOUT
- ⊕ TRUE POSITION
- ◎ CONCENTRICITY
- ≡ SYMMETRY

UNLESS OTHERWISE SPECIFIED DIM. TOLERANCES ARE AS FOLLOWS:

INCH X XX XXX XXXX
 ±.1 ±.02 ±.005 ±.0005
 mm ±0.5 ±0.13 ±0.013

ANG. ±.50 DEG

REMOVE BURRS & BREAK SHARP EDGES:
 INCH .003-.015 mm 0.1-0.4

CORNER FILLETS TO:
 INCH .020 mm 0.5

MACHINE SURFACES:
 INCH 125 mm 3.2

METRIC DIMS. SHOWN IN [BRACKETS]

DR BY: MEIYU.HE 06-08-2007

APPD: T.RILEY

THIRD ANGLE PROJECTION

EDS DATE 02-22-2008
 FORMAT REV F

CONFIDENTIAL: THIS DRAWING AND ITS INFORMATION ARE THE EXCLUSIVE AND CONFIDENTIAL PROPERTY OF A.O. SMITH CORP. AND ARE NOT TO BE DISCLOSED, DUPLICATED, DISTRIBUTED OR OTHERWISE USED WITHOUT THE WRITTEN CONSENT OF A.O. SMITH CORP.

-ALL RIGHTS RESERVED. ASME Y14.5M 1994

ACSmith **ELECTRICAL PRODUCTS COMPANY**
 Innovation has a name. A DIVISION OF A. O. SMITH CORPORATION

DESCRIPTION: **OUTLINE**

SIZE: C DWG NO: F48Z37A01

SCALE: NONE SHEET: 1

4

3

2

1

4

3

2

1

REVISION:	ECO	REVISADO POR:	FECHA:	APROBADO POR:	FECHA:
C	0005871	K.PALOMO	05-12-2009	A.BAUGHMAN	05-12-2009

INFORMACION GENERAL:

OSCILACION DE FLECHA: .001[.03] L.T.I.R. POR LONGITUD DE EXTENSION

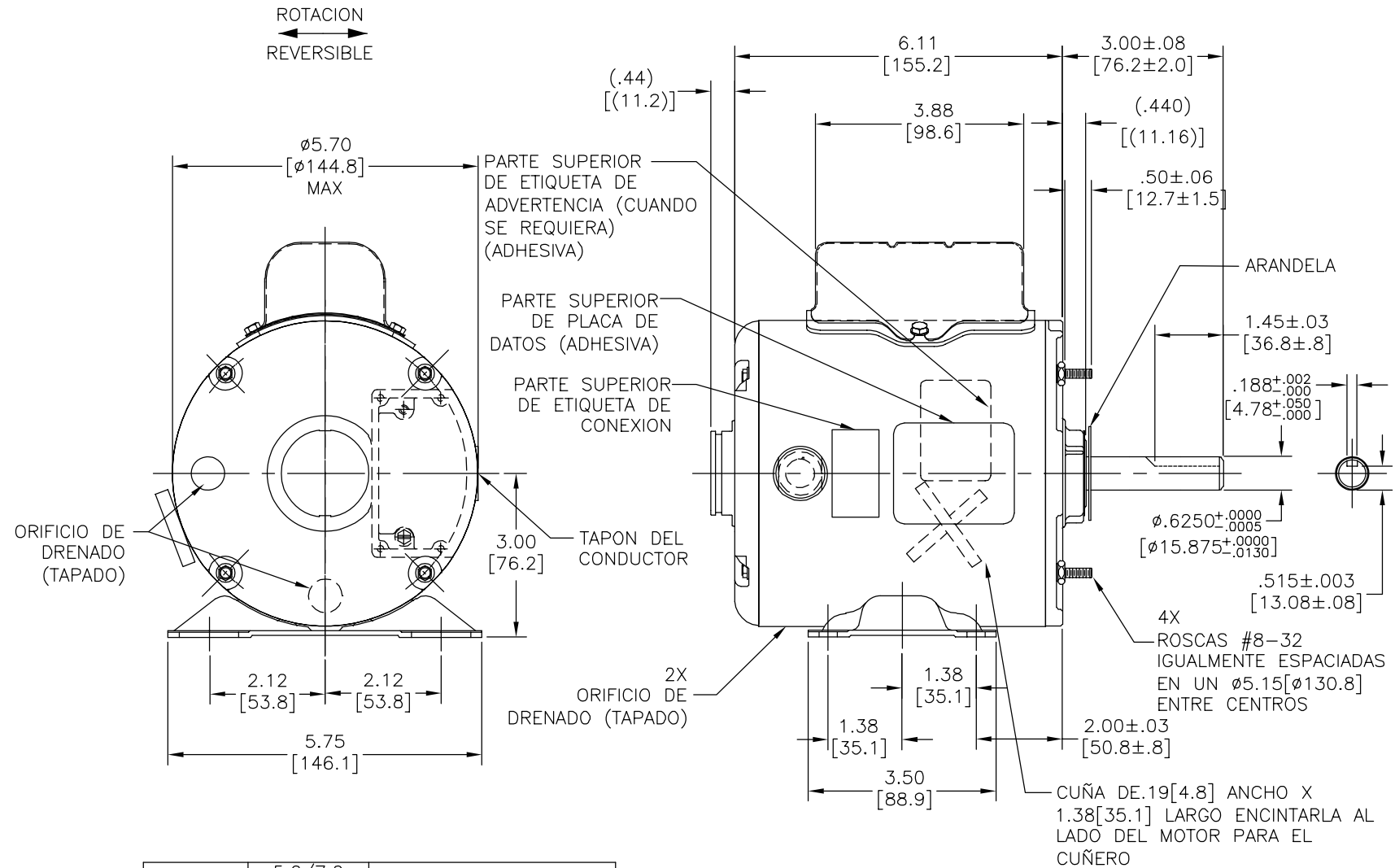
BALEROS: BALERO 203

POSICION DEL MONTAJE: TODOS LOS ANGULOS

INFORMACION ELECTRICA:

SOBRECARGA DEL PROTECTOR: REINICIO AUTOMATICO (T.I. 7AM 036)

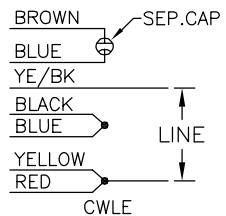
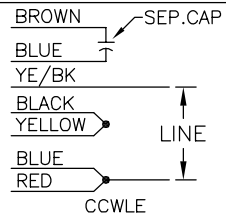
CABLES: CALIBRE 18 AISLANTE .03[.8] GROSOR 125°C



INFORMACION DE ETIQUETA:

MODEL NO.: F48Z37A01
 CUST. P/N: C720A
 HP: 1/6
 ROT.: REV.
 RPM: 1140/950
 TYPE: UF
 FRAME: 48Y
 VOLTS: 208-230
 PH: 1
 AMPS: 0.9/1.1
 HZ: 60/50
 INS.: B
 AMB.: 40°C
 DUTY: AIR OVER
 CAP.: 4 MFD/370V
 ENCL: ENCLOSED
 UL LOGO
 CSA LOGO
 THERMALLY PROTECTED

DIAGRAMA DE CONEXION EXTERNA



MOTOR CONNECTED FOR
 CCWLE ROTATION
 614131-358

CAFE	5.0/7.0 [127/178]	.25[6.4]	BANDERA
AZUL	8.0/9.0 [203/229]	.50[12.7]	DESFORRE
AM/NEGRO	5.0/7.0 [127/178]	.50[12.7]	DESFORRE
NEGRO	5.0/7.0 [127/178]	.50[12.7]	DESFORRE
AMARILLO	5.0/7.0 [127/178]	.50[12.7]	DESFORRE
ROJO	5.0/7.0 [127/178]	.50[12.7]	DESFORRE
COLOR	LONGITUD	TERMINAL O LONGITUD DE DESFORRE	

DE CARCAZA - OLE	CERRADO	CON TAPON DE DRENADO
DE TAPA - OLE	CERRADO	CON TAPON DE DRENADO
DE CARCAZA - LE	CERRADO	CON TAPON DE DRENADO
DE TAPA - LE	CERRADO	CON TAPON DE DRENADO

CLIENTE	DIST.SERVICES
---------	---------------

CURVAS DE FUNCIONAMIENTO	TORSION @1140 RPM (25°C)	MUESTRA APROBADA	COMPONENTE UL	CSA
C32713	12.4 OZ. FT.	0603146C	#ARCHIVO PRGY2 LR43341	CLASE # 4211-01

CARACTERISTICAS DE GEOMETRIA Y SIMBOLOS

- PLANICIDAD
- RECTITUD
- ∠ ANGULARIDAD
- ⊥ PERPENDICULARIDAD (A ESCUADRA)
- // PARALELISMO
- REDONDEZ (CIRCULARIDAD)
- ⊘ CILINDRICIDAD
- △ PERFIL DE CUALQUIER SUPERFICIE
- ∧ PERFIL DE CUALQUIER LINEA
- ∩ VARIACION
- ⊕ POSICION REAL
- ⊙ CONCENTRICIDAD
- = SIMETRIA

A MENOS QUE SE ESPECIFIQUE DE OTRA MANERA, LAS TOLERANCIAS DE LAS DIMS; SON LAS SIGUIENTES:

PULG ±.1 ±.02 ±.005 ±.0005
 mm ±0.5 ±0.13 ±0.013

ANG. ±.50 GRADOS

ELIMINAR REBABAS Y ORILLAS FILOSAS DEL BORDE.

PULG .003-.015 mm 0.1-0.4

FILETEAR ESQUINA: PULG .020 mm 0.5

MAQUINAR SUPERFICIES

PULG 125 mm 3.2

DIMS METRICAS MOSTRADAS [PARENTESIS]

DIBUJADO POR: MEIYU.HE
 APROBADO POR: T.RILEY
 TERCER ANGULO DE PROYECCION
 CONFIDENCIAL: ESTE DIBUJO Y SU INFORMACION SON PROPIEDAD DE USO EXCLUSIVO Y CONFIDENCIAL DE A.O.SMITH CORP. Y NO DEBERAN SER REVELADOS, DUPLICADOS, DISTRIBUIDOS O USARSE DE OTRA MANERA SIN EL CONSENTIMIENTO ESCRITO DE A.O. SMITH CORP. -TODOS LOS DERECHOS RESERVADOS.ASME Y14.5M 1994

ACSmith **ELECTRICAL PRODUCTS COMPANY**
 Innovation has a name. A DIVISION OF A. O. SMITH CORPORATION

DESCRIPCION: **OUTLINE**

TAMAÑO: C NUMERO DE DIBUJO: F48Z37A01

ESCALA: NONE HOJA: 1

4

3

2

1

版本	ECO	编制	日期	批准	日期
C	0005871	K.PALOMO	05-12-2009	A.BAUGHMAN	05-12-2009

总要求:

轴跳动: 0.03/25.4mm(外伸轴).

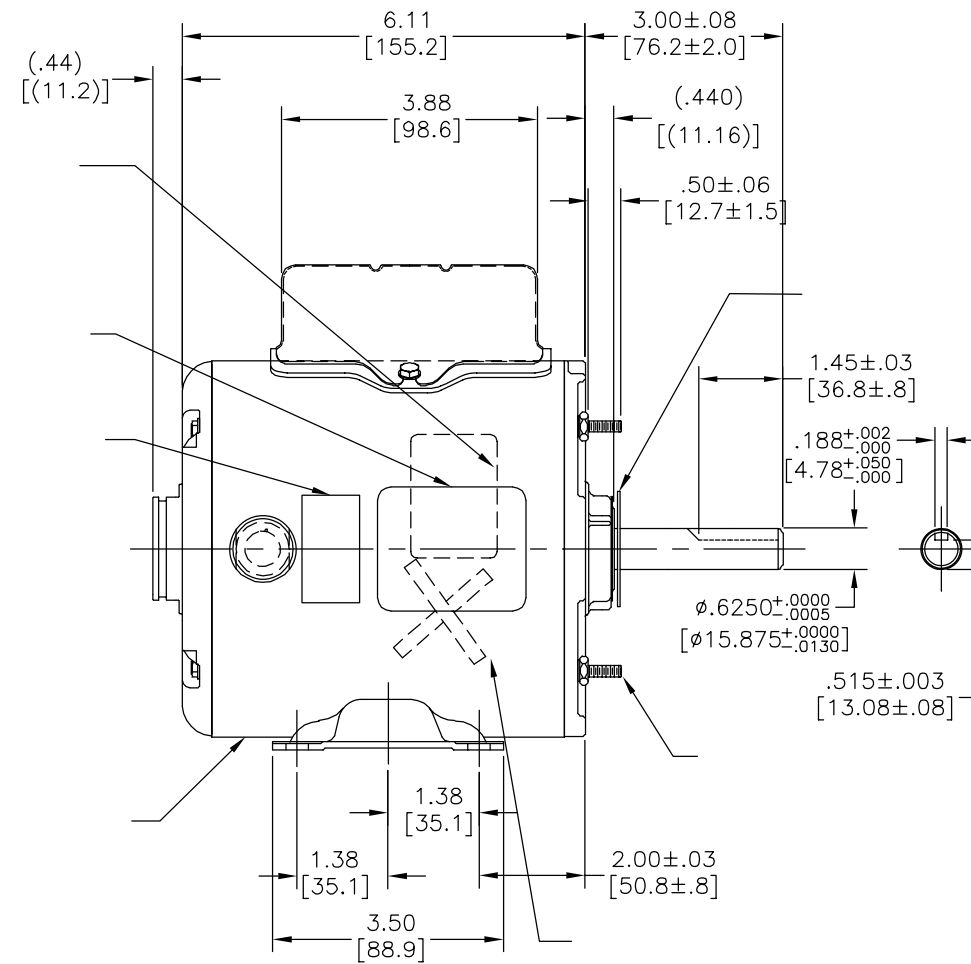
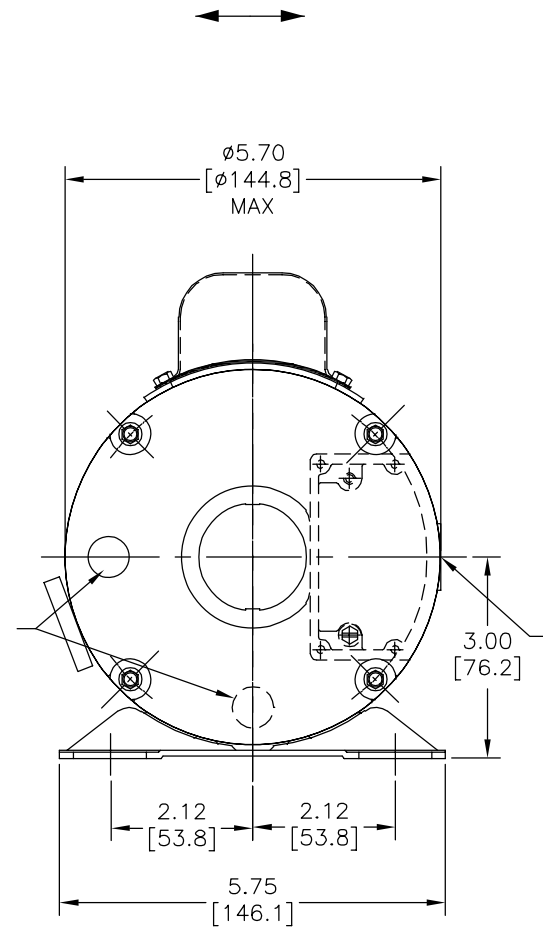
轴承: 球轴承.

安装位置: 垂直 - 轴向下

电气数据:

过载保护: 自动复位 (T.I. 7AM 036)

引线: 18GA, 厚.03[.8] PVC 125°C 绝缘



铭牌数据	外部连接详图
MODEL NO.: F48Z37A01 CUST. P/N: C720A HP: 1/6 ROT.: REV. RPM: 1140/950 TYPE: UF FRAME: 48Y VOLTS: 208-230 PH: 1 AMPS: 0.9/1.1 HZ: 60/50 INS.: B AMB.: 40°C DUTY: AIR OVER CAP.: 4 MFD/370V ENCL: ENCLOSED UL LOGO CSA LOGO THERMALLY PROTECTED	

性能曲线编号	转矩在 RPM (25° C)	批准样品	UL部件		CSA	
			文件号	指南	文件号	指南
C32713	12.4 OZ. FT.	0603146C	E46412	PRGY2	LR43341	4211-01

颜色	长度	端子或剥线长度
	5.0/7.0 [127/178]	
	8.0/9.0 [203/229]	
	5.0/7.0 [127/178]	
	5.0/7.0 [127/178]	
	5.0/7.0 [127/178]	
	5.0/7.0 [127/178]	

开启方式	
非引线端机壳	
非引线端端盖	
引线端机壳	
引线端端盖	

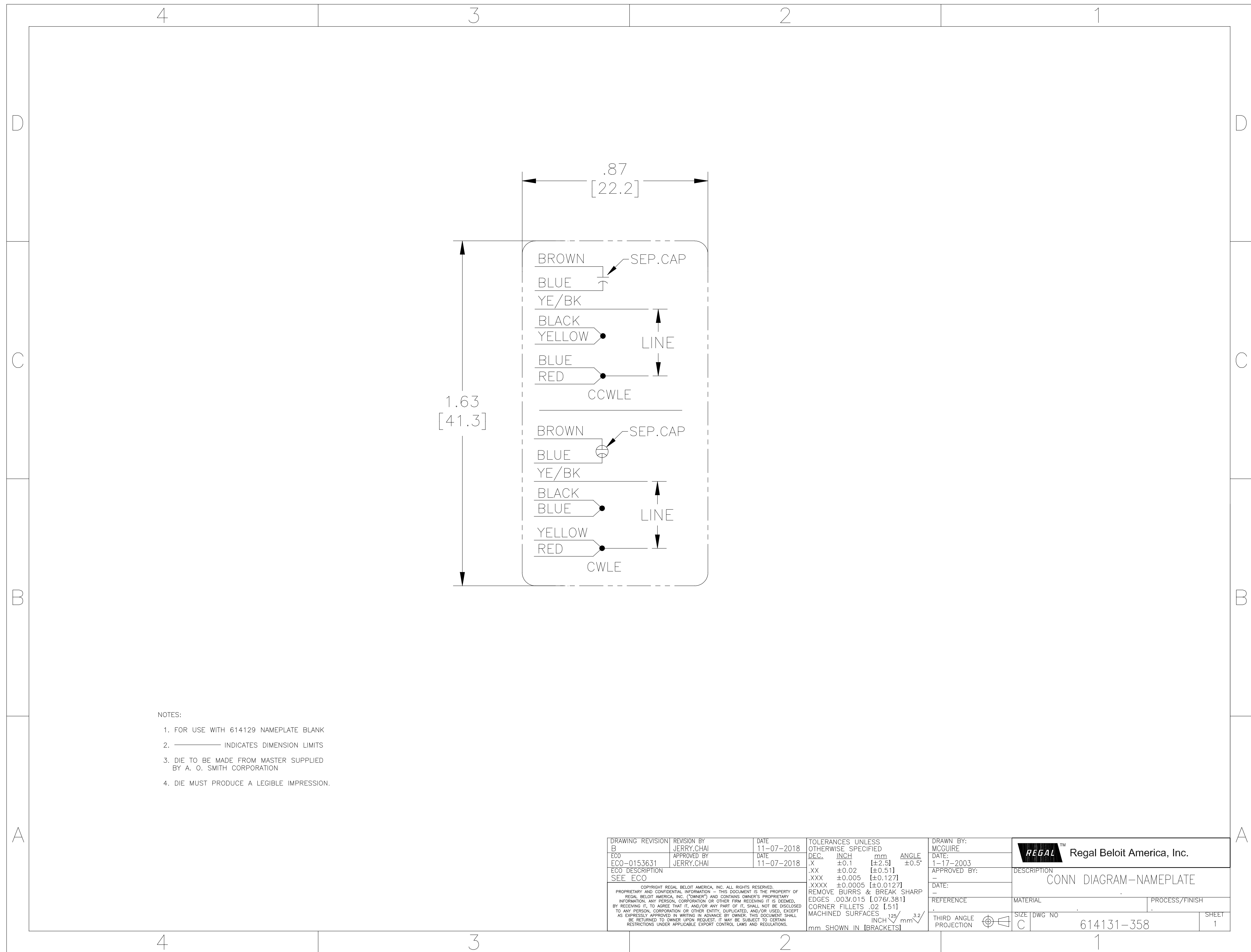
用户	DIST.SERVICES
----	---------------

- 形位公差
- 平面度
- 直线度
- ∠ 倾斜度
- ⊥ 垂直度
- // 平行度
- 圆度
- ⊘ 圆柱度
- ∩ 内圆角
- △ 面轮廓度
- ∩ 线轮廓度
- ∩ 圆跳动
- ⊕ 位置度
- ⊙ 同轴度
- ≡ 对称度

除另有注明
尺寸公差如下:
英寸 X XX XXX XXXX
毫米 ±.1 ±.02 ±.005 ±.0005
毫米 ±0.5 ±0.13 ±0.013
角度 ±.50 度
清理毛刺和尖棱
英寸 .003-.015 毫米 0.1-0.4
内圆角
英寸 .020 毫米 0.5
表面粗糙度
英制 125 米制 3.2
米制尺寸显示在 []

绘图:	MEIYU.HE	06-08-2007
批准:	T.RILEY	
第三角投影		图纸格式发布日期 02-22-2008 图纸格式版本 F
机密: 本图纸及相关信息所有权归A. O. SMITH公司所有。未经A. O. SMITH公司书面授权, 不得泄露、复制、传播或作其他用途。—版权所有		
ASME Y14.5M 1994		

ACSmith Innovation has a name.		ELECTRICAL PRODUCTS COMPANY A DIVISION OF A. O. SMITH CORPORATION	
名称: OUTLINE			
图幅: C	图号: F48Z37A01	比例: NONE	
图号: F48Z37A01		页号: 1	



- NOTES:
1. FOR USE WITH 614129 NAMEPLATE BLANK
 2. ——— INDICATES DIMENSION LIMITS
 3. DIE TO BE MADE FROM MASTER SUPPLIED BY A. O. SMITH CORPORATION
 4. DIE MUST PRODUCE A LEGIBLE IMPRESSION.

DRAWING REVISION B	REVISION BY JERRY CHAI	DATE 11-07-2018	TOLERANCES UNLESS OTHERWISE SPECIFIED	DRAWN BY: MCGUIRE	Regal Beloit America, Inc.
ECO ECO-0153631	APPROVED BY JERRY CHAI	DATE 11-07-2018	DEC. INCH mm ANGLE .XX ±0.1 [±2.5] ±0.5° .XX ±0.02 [±0.51] .XXX ±0.005 [±0.127] .XXXX ±0.0005 [±0.0127]	DATE: 1-17-2003	
ECO DESCRIPTION SEE ECO			REMOVE BURRS & BREAK SHARP EDGES .003/.015 [0.076/.381] CORNER FILLETS .02 [.51] MACHINED SURFACES \sqrt{R} INCH/mm \sqrt{R} mm SHOWN IN [BRACKETS]	APPROVED BY: —	DESCRIPTION CONN DIAGRAM-NAMEPLATE
<small>COPYRIGHT REGAL BELOIT AMERICA, INC. ALL RIGHTS RESERVED. PROPRIETARY AND CONFIDENTIAL INFORMATION - THIS DOCUMENT IS THE PROPERTY OF REGAL BELOIT AMERICA, INC. (OWNER) AND CONTAINS OWNER'S PROPRIETARY INFORMATION. ANY PERSON, CORPORATION OR OTHER FIRM RECEIVING IT IS DEEMED BY RECEIVING IT, TO AGREE THAT IT, AND/OR ANY PART OF IT, SHALL NOT BE DISCLOSED TO ANY PERSON, CORPORATION OR OTHER ENTITY, DUPLICATED, AND/OR USED, EXCEPT AS EXPRESSLY APPROVED IN WRITING IN ADVANCE BY OWNER. THIS DOCUMENT SHALL BE RETURNED TO OWNER UPON REQUEST. IT MAY BE SUBJECT TO CERTAIN RESTRICTIONS UNDER APPLICABLE EXPORT CONTROL LAWS AND REGULATIONS.</small>				DATE: —	MATERIAL
				REFERENCE	PROCESS/FINISH
				THIRD ANGLE PROJECTION	SIZE DWG NO C 614131-358
					SHEET 1