

PRODUCT INFORMATION PACKET



Model No: C724A

Catalog No: C724A

Transformer Cooling Fan Motor, 1/2 HP, 1 Ph, 60 Hz, 208-230 V, 1725/1425 RPM, 1 Speed, 48 Frame,
ENCLOSED



Regal and Century are trademarks of Regal Rexnord Corporation or one of its affiliated companies.

©2022 Regal Rexnord Corporation, All Rights Reserved. MC017097E





Nameplate Specifications

Output HP	1/2 Hp	Output KW	0.37 kW
Frequency	60 Hz	Voltage	208-230 V
Current	2.5/3.3 A	Speed	1725/1425 rpm
Service Factor	1	Phase	1
Duty	Air Over	Insulation Class	B
Frame	48Y	Enclosure	Totally Enclosed
Thermal Protection	Automatic	Ambient Temperature	40 °C
UL	Recognized	CSA	Y
CE	N	Number of Speeds	1

Technical Specifications

Electrical Type	Permanent Split Capacitor	Starting Method	Across The Line
Poles	4	Rotation	Reversible
Mounting	Rigid Base	Motor Orientation	Any
Drive End Bearing	Ball	Opp Drive End Bearing	Ball
Frame Material	Rolled Steel	Shaft Type	Keyed
Overall Length	10.05 in	Frame Length	5.75 in
Shaft Diameter	0.625 in	Shaft Extension	3 in
Outline Drawing	C724A-S01	Connection Drawing	614131-364

This is an uncontrolled document once printed or downloaded and is subject to change without notice. Date Created:11/28/2022

GENERAL INFORMATION:

SHAFT RUNOUT: .001[.025] T.I.R. PER INCH LENGTH OF EXTENSION

BEARINGS: 203 BALL

MOUNTING POSITION: ALL ANGLE

ELECTRICAL DATA:

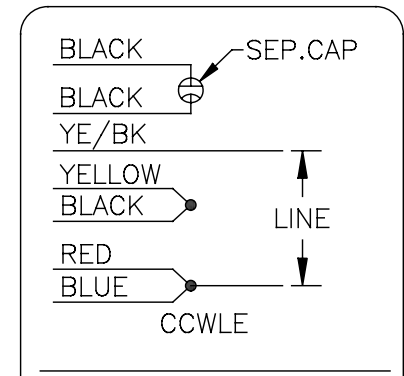
OVERLOAD PROTECTOR: AUTOMATIC RESET (T.I. 7AM 036)

LEADS: NO. 18 GA., .06[1.52] THK. PVC 105°C INSUL.

NAMEPLATE DATA:

MODEL NO.: F48Z35A01
 CUST. P/N: C724A
 HP: 1/2
 ROT.: REV.
 RPM: 1725/1425
 TYPE: UF
 FRAME: 48Y
 VOLTS: 208-230
 PH: 1
 AMPS: 2.5/3.3
 HZ: 60/50
 INS.: B
 AMB.: 40°C
 DUTY: AIR OVER
 CAP.: 5 MFD/370 V
 ENCL: ENCLOSED
 UL LOGO
 CSA LOGO
 THERMALLY PROTECTED

EXTERNAL CONNECTION DIAGRAM



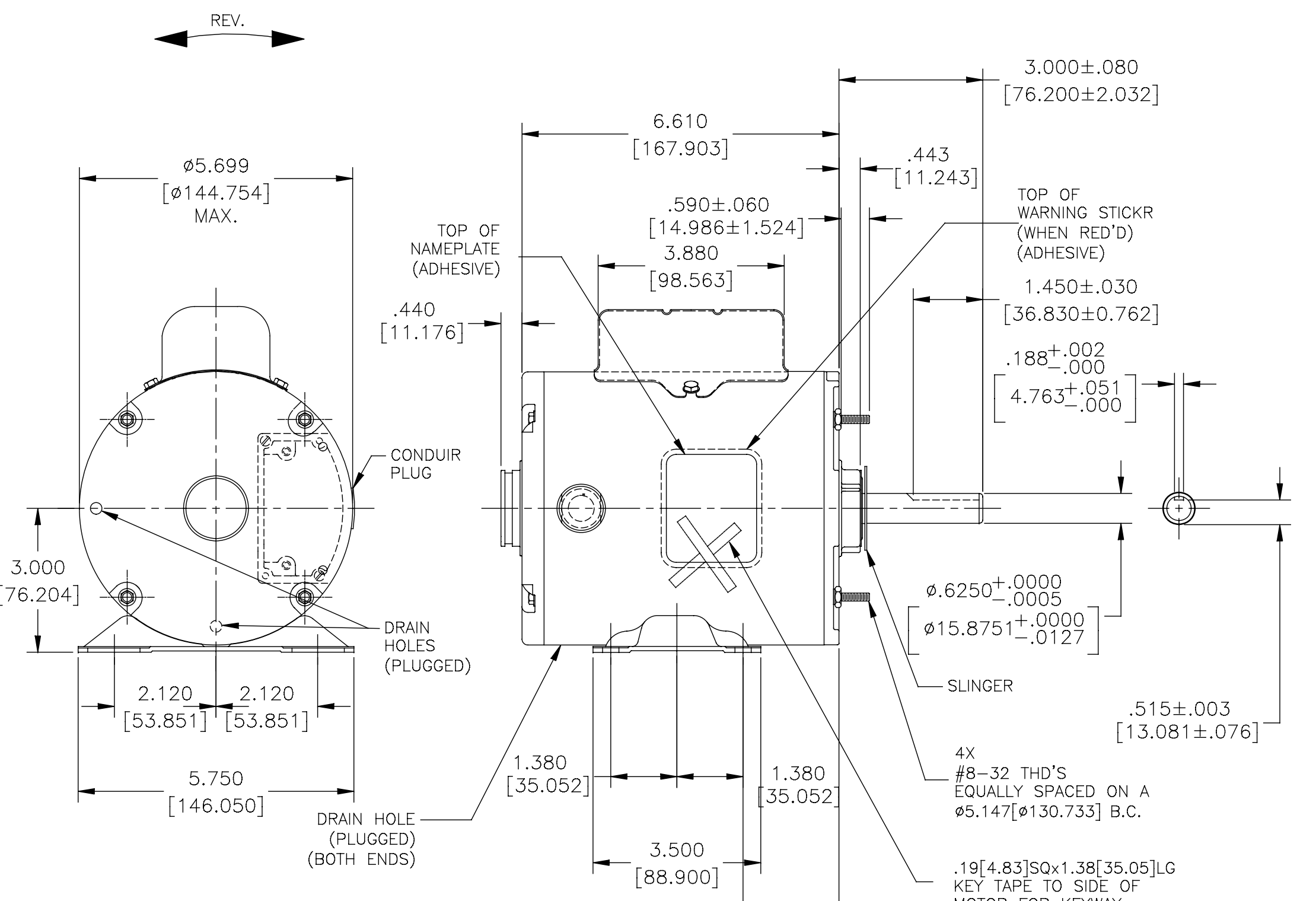
SHOWN FOR CCWLE ROTATION, FOR CWLE, INTERCHANGE RED AND BLACK LEADS

614131-364
614131-364

PERFORMANCE CURVE NO.	TORQUE @1725 RPM (25°C)	APPROVED SAMPLE	UL COMPONENT		CSA	
			FILE #	CCN #	FILE #	CLASS #
C32712	27.2 OZ. FT.	0604272B	E46412	PRGY2	LR43341	4211-01

COLOR	LENGTH	TERMINAL OR STRIP LENGTH
RED	5.0/7.0 [127.0/177.8]	.50[12.70] LEAD STRIP
BLACK	5.0/7.0 [127.0/177.8]	.50[12.70] LEAD STRIP
BLACK CAPACITOR	5.0/7.0 [127.0/177.8]	.25[6.35] FLAG
BLUE	5.0/7.0 [127.0/177.8]	.50[12.70] LEAD STRIP
YEL/BLK	5.0/7.0 [127.0/177.8]	.50[12.70] LEAD STRIP
BLACK CAPACITOR	5.0/7.0 [127.0/177.8]	.25[6.35] FLAG
YELLOW	5.0/7.0 [127.0/177.8]	.50[12.70] LEAD STRIP

ENCLOSURE	DESCRIPTION
MAIN FRAME - OLE	ENCLOSURE WITH DRAIN PLUG
END FRAME - OLE	ENCLOSURE WITH DRAIN PLUG
MAIN FRAME - LE	ENCLOSURE WITH DRAIN PLUG
END FRAME - LE	ENCLOSURE WITH DRAIN PLUG



DRAWING REVISION	REVISION BY	DATE
F	J.CHAI	10-27-2015
ECO	APPROVED BY	DATE
ECO-0087740	-	10-27-2015
ECO DESCRIPTION SEE ECO		

DRAWN BY:	DATE:
-	-
APPROVED BY:	DATE:
-	-
PROCESS/FINISH	DATE:
-	-
THIRD ANGLE PROJECTION	DATE:
☉	-

REGAL™ Regal Beloit America, Inc.

DESCRIPTION: MODEL-RFHP-48FR OUTLINE

MATERIAL: -

SIZE DWG NO: C724A

SHEET: 1