

PRODUCT INFORMATION PACKET



Model No: C776ES
Catalog No: C776ES

General Purpose Motor, 1.5 HP, 1 Ph, 60 Hz, 115/230 V, 1800 RPM, 56HC Frame, DP



Regal and Century are trademarks of Regal Rexnord Corporation or one of its affiliated companies.
©2022 Regal Rexnord Corporation, All Rights Reserved. MC017097E





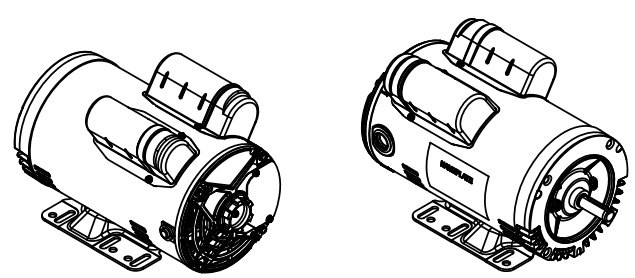
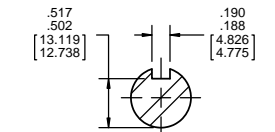
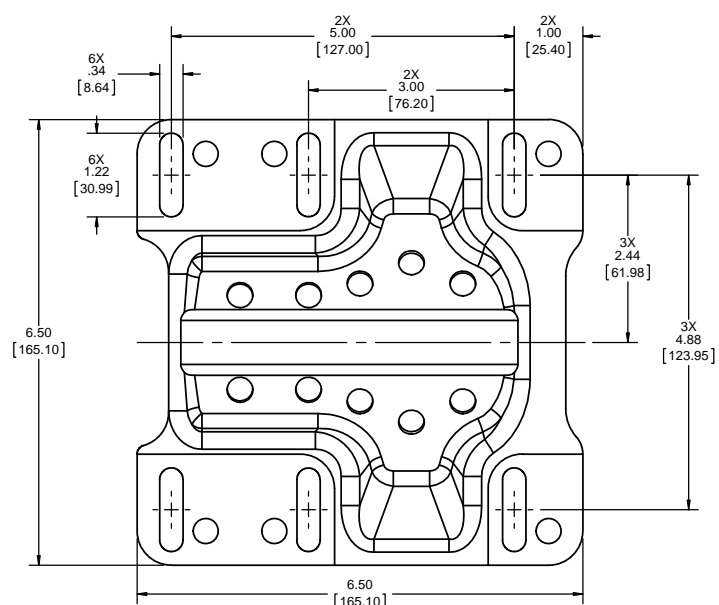
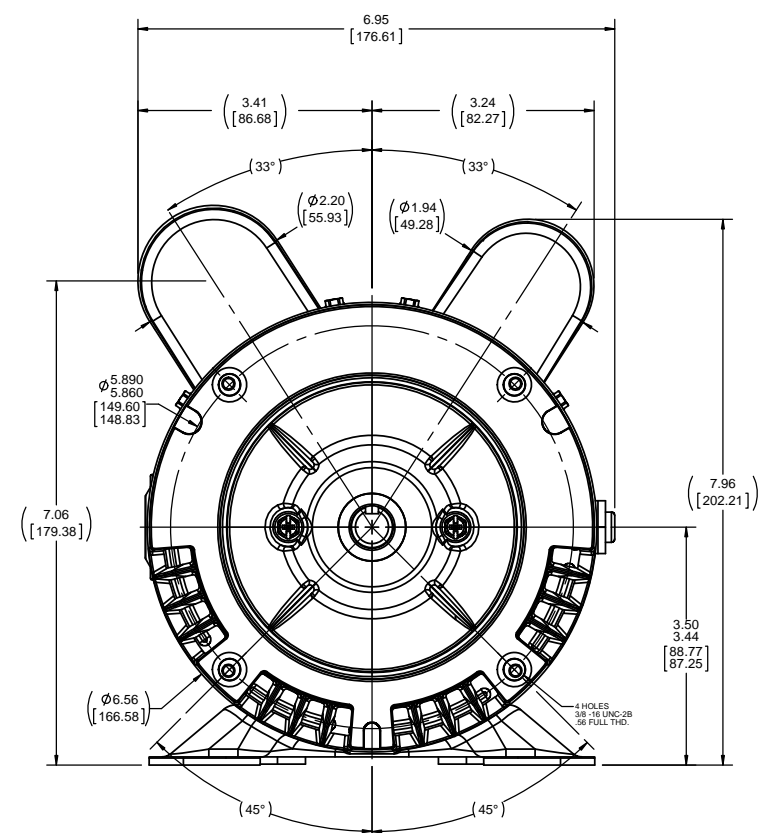
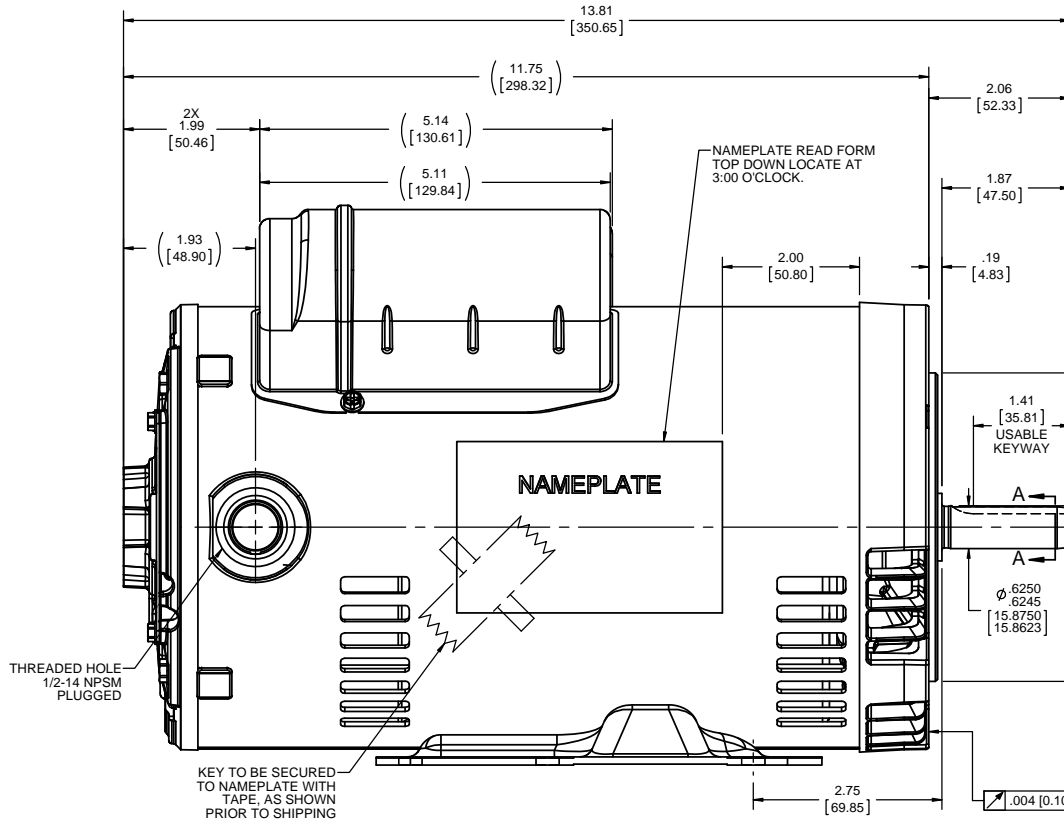
Nameplate Specifications


Output HP	1.5 Hp	Output KW	1.1 kW
Frequency	60 Hz	Voltage	115/230 V
Current	12.6/6.3 A	Speed	1725 rpm
Service Factor	1.15	Phase	1
Duty	Continuous	Insulation Class	B
Frame	56HC	Enclosure	Drip Proof
Thermal Protection	Thermally Protected	Ambient Temperature	40 °C
UL	Recognized	CSA	Y
CE	Y	Number of Speeds	1

Technical Specifications

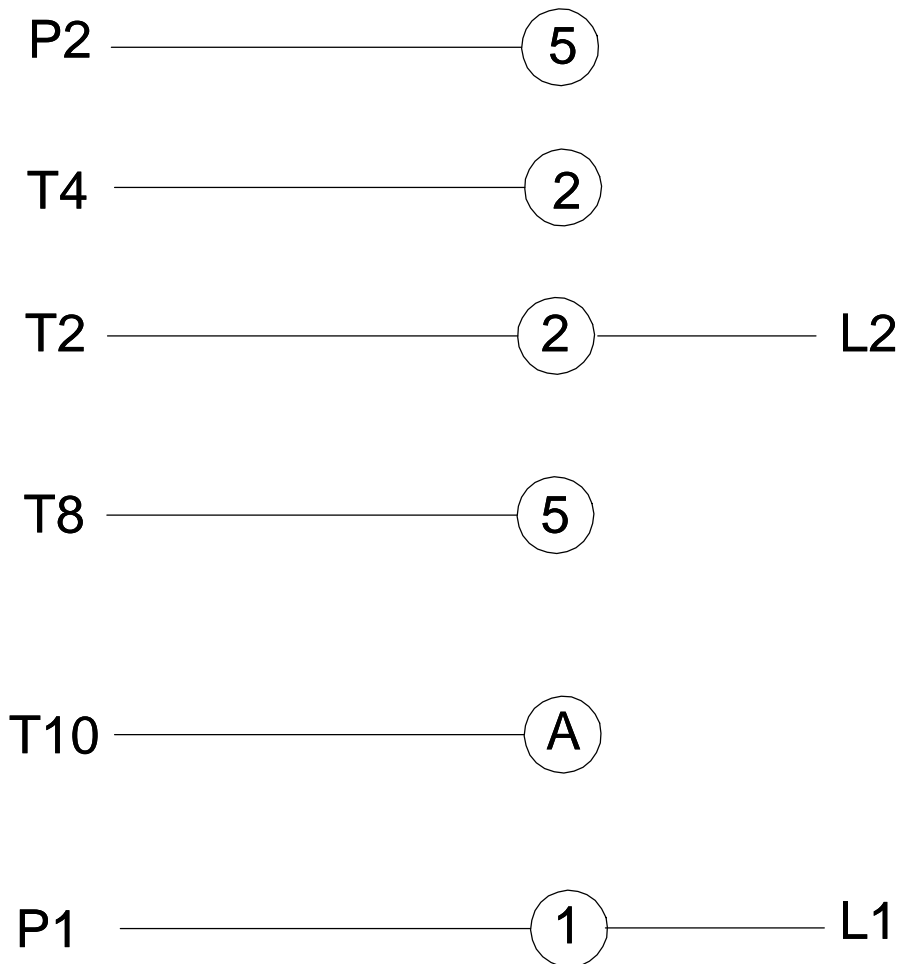
Electrical Type	Capacitor Start Capacitor Run	Starting Method	Across The Line
Poles	4	Rotation	Selective Counterclockwise
Mounting	Rigid Base	Drive End Bearing	Ball
Opp Drive End Bearing	Ball	Frame Material	Rolled Steel
Shaft Type	NEMA 56	Overall Length	13.81 in
Frame Length	9.74 in	Shaft Diameter	0.625 in
Shaft Extension	1.88 in		
Connection Drawing	DD10025-001	Outline Drawing	OL56100230-001

This is an uncontrolled document once printed or downloaded and is subject to change without notice. Date Created:11/28/2022

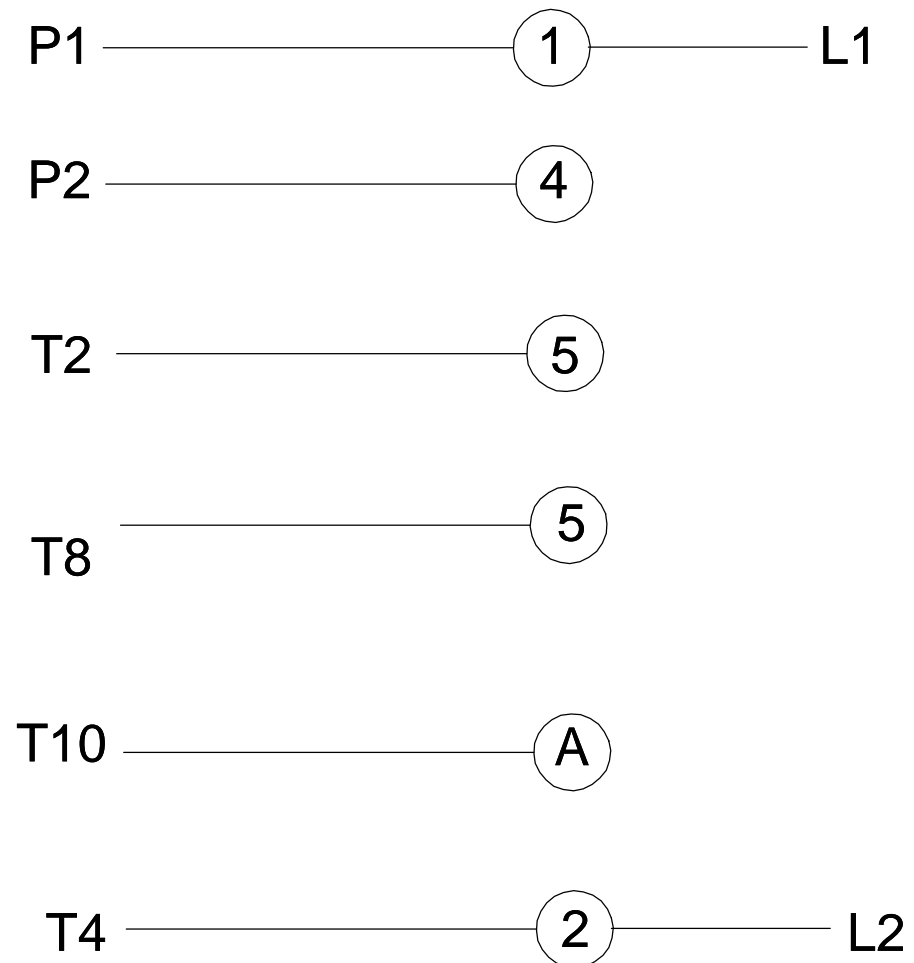


DRAWING REVISION A		REVISION BY	DATE	TOLERANCES UNLESS OTHERWISE SPECIFIED:		DRAWN BY R.ZAMARRON	 Regal Beloit America, Inc.
ECO-0115015		APPROVED BY	DATE	DEC.	INCH	mm	
ECO DESCRIPTION		NEW MODEL RELEASE		.XX	±0.1	[±2.5]	PROCESS FINISH
COPYRIGHT REGAL BELOIT AMERICA, INC. ALL RIGHTS RESERVED. PROPRIETARY AND CONFIDENTIAL INFORMATION - THIS DOCUMENT IS THE PROPERTY OF REGAL BELOIT AMERICA, INC. FORMERLY AND CONTAINS OWNER'S PROPRIETARY INFORMATION. ANY PERSON, CORPORATION OR OTHER FIRM RECEIVING IT IS DEEMED, BY RECEIVING IT, TO AGREE THAT IT, AND/OR ANY PART OF IT, SHALL NOT BE DISCLOSED TO ANY PERSON, CORPORATION OR OTHER ENTITY, DUPLICATED, AND/OR USED, EXCEPT AS EXPRESSLY APPROVED IN WRITING IN ADVANCE BY OWNER. THIS DOCUMENT SHALL BE RETURNED TO OWNER UPON REQUEST. IT MAY BE SUBJECT TO CERTAIN RESTRICTIONS UNDER APPLICABLE EXPORT CONTROL LAWS AND REGULATIONS.				.XXX	±0.03	[±0.76]	
				.XXX	±0.005	[±0.127]	
				.XXXX	±0.0005	[±0.0127]	
				REMOVE BURRS & BREAK SHARP EDGES: .003/.015 [0.076/.381] X 45°			
				CORNER FILLETS: R.02 [51]			
				MACHINED SURFACES: 125 $\sqrt{}$ mm $\sqrt{}$			
				mm SHOWN IN [BRACKETS]			
				THIRD ANGLE PROJECTION	SIZE	DRAWING NUMBER	SHEET 1 OF 1
				C		OL56100230-001	

LOW VOLTAGE



HIGH VOLTAGE



ROTATION CCW-LE TO REVERSE EITHER VOLTAGE INTERCHANGE T8 AND T10 LEADS

DD10025-001

PLATE: 41365

SLOT: 22

DRAWING REVISION B	REVISION BY A.ARREOLA	DATE 03-22-2018	TOLERANCES UNLESS OTHERWISE SPECIFIED: DEC. INCH mm ANGLE .X ±0.1 [±2.5] ±0.5° .XX ±0.01 [±0.25] .XXX ±0.005 [±0.127] .XXXX ±0.0005 [±0.0127]	DRAWN BY C. CONTRERAS	Regal Beloit America, Inc.
ECO ECO-0137052	APPROVED BY A.ARREOLA	DATE 03-22-2018		DATE 10-06-2016	
ECO DESCRIPTION UPDATE TO SYSTEM			REMOVE BURRS & BREAK SHARP EDGES: .003/.015 [.076/.381] X 45 ° CORNER FILLETS: R.02 [.51] MACHINED SURFACES: 125/3.2 INCH/mm	APPROVED BY C. CONTRERAS	DESCRIPTION CONN DIAGRAM-NAMEPLATE
COPYRIGHT REGAL BELOIT AMERICA, INC. ALL RIGHTS RESERVED. PROPRIETARY AND CONFIDENTIAL INFORMATION - THIS DOCUMENT IS THE PROPERTY OF REGAL BELOIT AMERICA, INC. ("OWNER") AND CONTAINS OWNER'S PROPRIETARY INFORMATION. ANY PERSON, CORPORATION OR OTHER FIRM RECEIVING IT IS DEEMED, BY RECEIVING IT, TO AGREE THAT IT, AND/OR ANY PART OF IT, SHALL NOT BE DISCLOSED TO ANY PERSON, CORPORATION OR OTHER ENTITY, DUPLICATED, AND/OR USED, EXCEPT AS EXPRESSLY APPROVED IN WRITING IN ADVANCE BY OWNER. THIS DOCUMENT SHALL BE RETURNED TO OWNER UPON REQUEST. IT MAY BE SUBJECT TO CERTAIN RESTRICTIONS UNDER APPLICABLE EXPORT CONTROL LAWS AND REGULATIONS.			THIRD ANGLE PROJECTION	DATE 10-06-2016	MATERIAL
				REFERENCE	PROCESS/FINISH
				SIZE B	DRAWING NUMBER DD10025-001
					SHEET 1 OF 1