

PRODUCT INFORMATION PACKET



Model No: C863
Catalog No: C863

General Purpose Motor, 1.0-1/3 HP, 1 Ph, 60 Hz, 208-230 V, 1800 RPM, 56 Frame, ODP



Regal and Century are trademarks of Regal Rexnord Corporation or one of its affiliated companies.

©2023 Regal Rexnord Corporation, All Rights Reserved. MC017097E





Nameplate Specifications

Phase	1	Output HP	1.0-1/3 Hp
Output KW	0.75 kW	Voltage	208-230 V
Speed	1725/1140* rpm	Service Factor	1.15
Frame	56	Enclosure	Open Drip Proof
Thermal Protection	No Protection	Ambient Temperature	40 °C
Frequency	60 Hz	Current	5.1-5.0/3.3-3.2 A
Duty	Continuous	Insulation Class	B
UL	Recognized	CSA	Y
CE	N	Number of Speeds	1

Technical Specifications

Electrical Type	Capacitor Start, Capacitor Run, Low Starting Torque, Single Or Dual Voltage	Starting Method	Across The Line
Poles	4/6	Rotation	Clockwise/Counterclockwise
Mounting	Resilient Base	Drive End Bearing	Ball
Opp Drive End Bearing	Ball	Frame Material	Rolled Steel
Shaft Type	Keyed	Overall Length	12.19 in
Frame Length	6.25 in	Shaft Diameter	0.625 in
Shaft Extension	1.94 in		
Connection Drawing	624000-C112	Outline Drawing	C863-S01

This is an uncontrolled document once printed or downloaded and is subject to change without notice. Date Created:08/24/2023

4

3

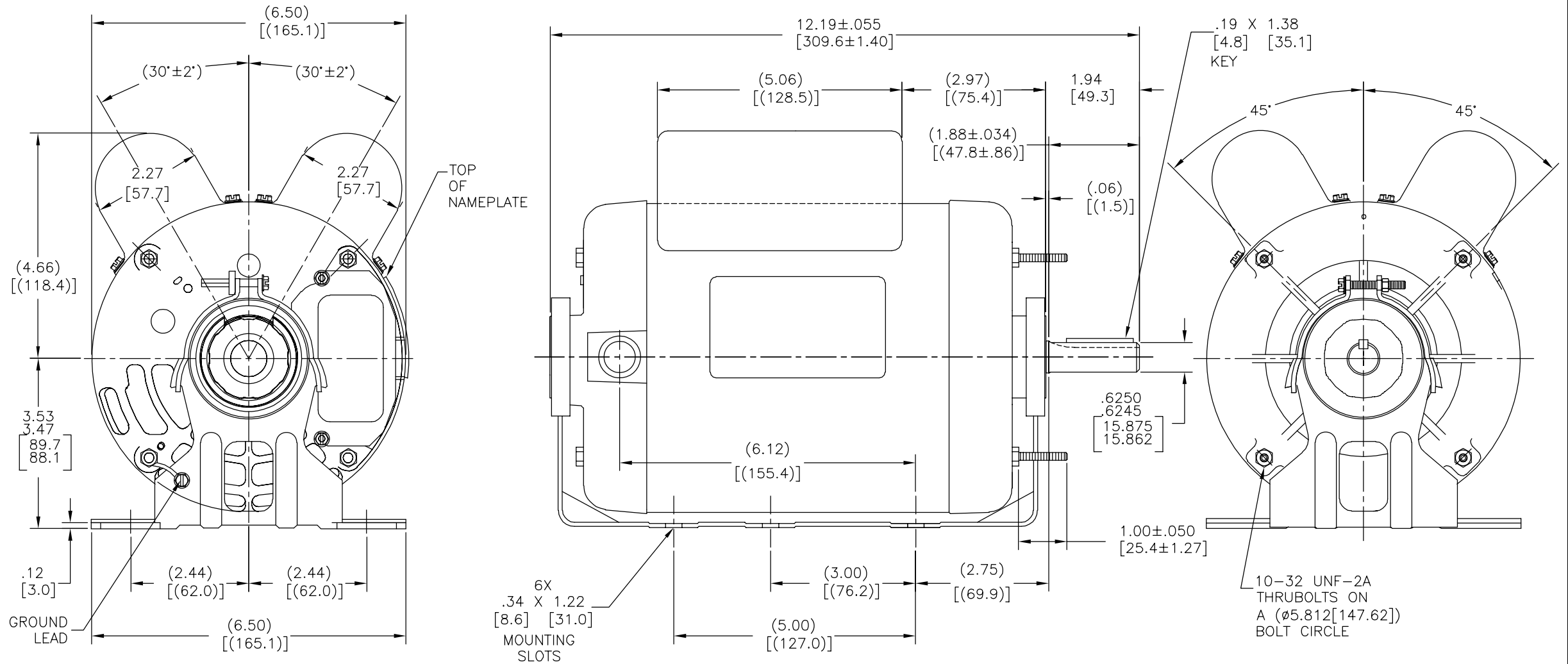
2

1

NOTES:

1. ALL DIMENSIONS SHOWN IN PARENTHESIS ARE REFERENCE DIMENSIONS.

REV	ECO	REV BY	DATE	APPD	DATE
A	0030391	A.SUN	02-05-2013	K.GONG	02-05-2013



MODEL NUMBER	PERFORMANCE CURVE NUMBER
C863	C27107

GEOMETRIC CHARACTERISTICS & SYMBOLS

- ▭ FLATNESS
- STRAIGHTNESS
- ∠ ANGULARITY
- ⊥ PERPENDICULARITY (SQUARENESS)
- ∥ PARALLELISM
- ROUNDNESS (CIRCULARITY)
- ⊘ CYLINDRICITY
- △ PROFILE OF ANY SURFACE
- ⌒ PROFILE OF ANY LINE
- ↗ RUNOUT
- ⊕ TRUE POSITION
- ◎ CONCENTRICITY
- ≡ SYMMETRY

ASME Y14.5M 1994

UNLESS OTHERWISE SPECIFIED DIM. TOLERANCES ARE AS FOLLOWS:

	X	XX	XXX	XXXX
INCH	±.1	±.02	±.005	±.0005
mm	±0.5	±0.13	±0.013	

ANG. ±.50 DEG
REMOVE BURRS & BREAK SHARP EDGES:
INCH .003-.015 mm 0.1-0.4
CORNER FILLETS TO:
INCH .020 mm 0.5
MACHINE SURFACES:
INCH 125 mm 3.2

METRIC DIMS. SHOWN IN [BRACKETS]

DR BY:	A.SUN	02-05-2013
APPD:	K.GONG	02-05-2013
THIRD ANGLE PROJECTION		
EDS DATE	11-11-2011	
FORMAT REV	H	

CONFIDENTIAL: THIS DRAWING AND ITS INFORMATION ARE THE EXCLUSIVE AND CONFIDENTIAL PROPERTY OF REGAL-BELOIT CORPORATION AND ARE NOT TO BE DISCLOSED, DUPLICATED, DISTRIBUTED OR OTHERWISE USED WITHOUT THE WRITTEN CONSENT OF REGAL-BELOIT CORPORATION. -ALL RIGHTS RESERVED.

REGAL REGAL-BELOIT CORPORATION	
DESCRIPTION MODEL-CFHP-56FR OUTLINE	
SIZE C	DWG NO C863
SCALE NONE	SHEET 1

4

3

2

1

4

3

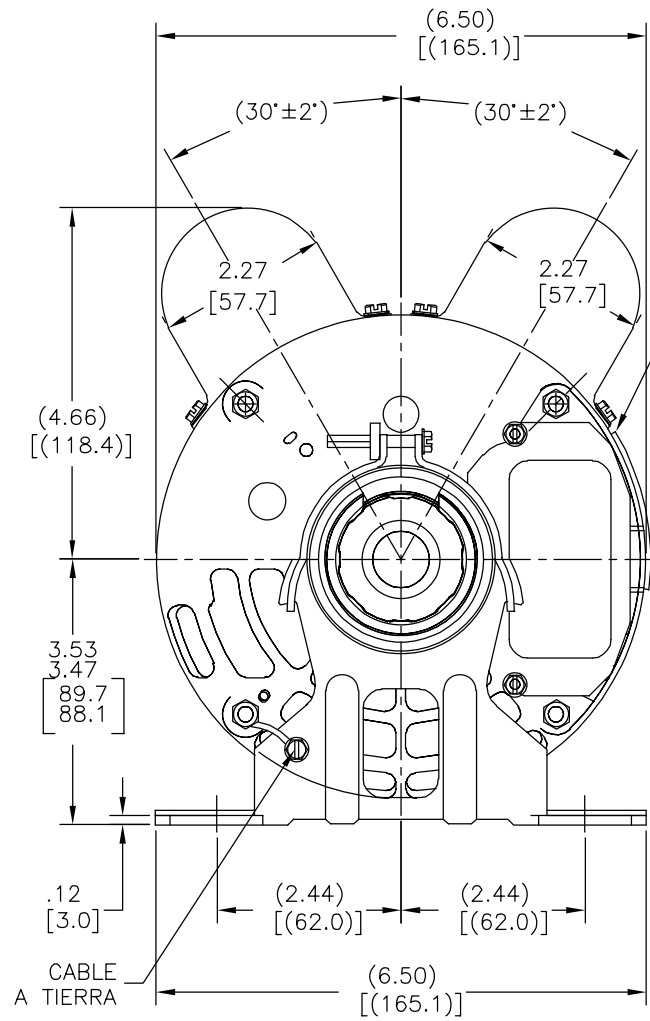
2

1

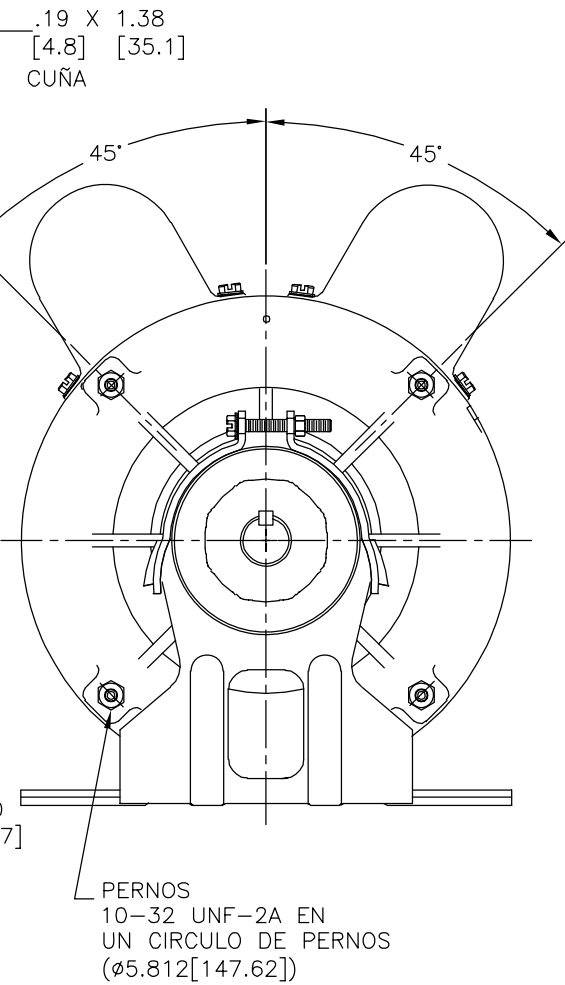
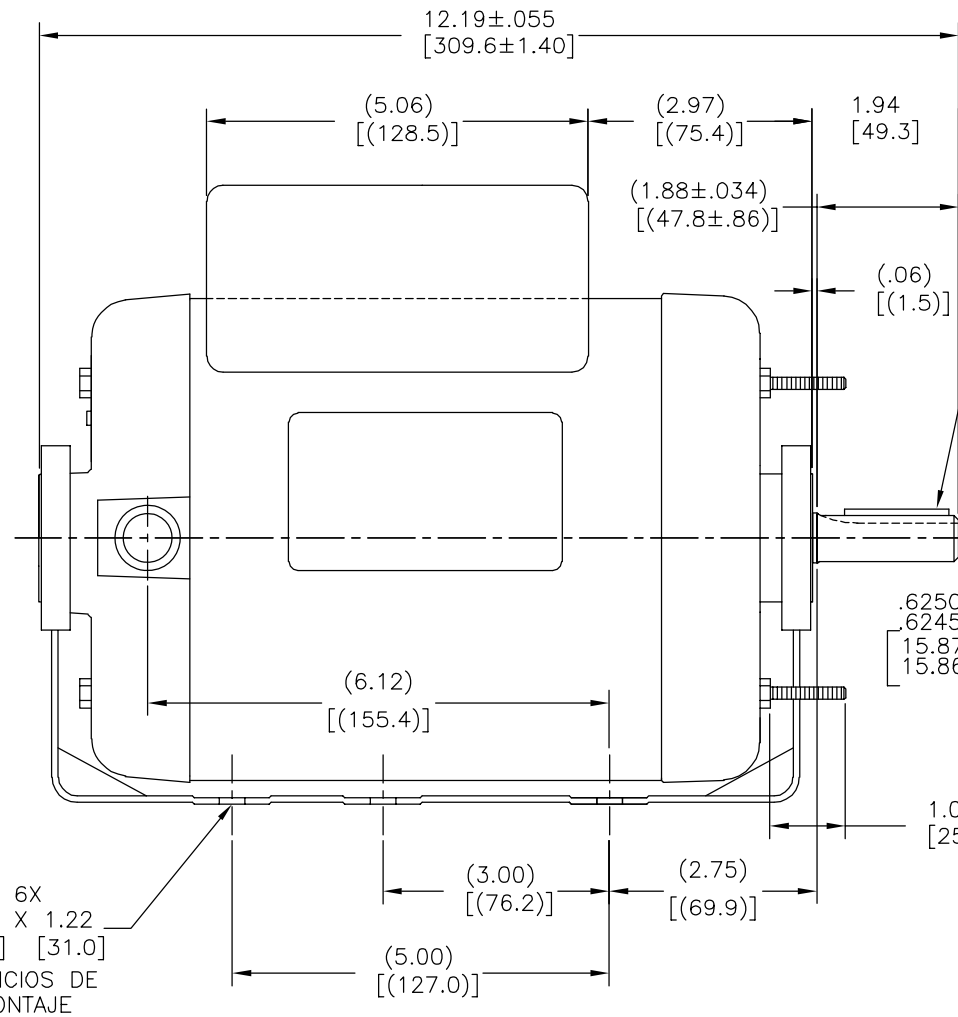
NOTAS:

1. TODAS LAS DIMENSIONES MOSTRADAS EN PARENTESIS SON DE REFERENCIA.

REVISION:	ECO	REVISADO POR:	FECHA:	APROBADO POR:	FECHA:
A	0030391	A.SUN	02-05-2013	K.GONG	02-05-2013



PARTE SUPERIOR PLACA DE DATOS



NUMERO DE MODELO	NUMERO DE CURVA DE DESEMPEÑO
C863	C27107

<p>CARACTERISTICAS DE GEOMETRIA Y SIMBOLOS</p> <ul style="list-style-type: none"> □ PLANICIDAD — RECTITUD ∠ ANGULARIDAD ⊥ PERPENDICULARIDAD (A ESCUADRA) // PARALELISMO ○ REDONDEZ (CIRCULARIDAD) ⊘ CILINDRICIDAD △ PERFIL DE CUALQUIER SUPERFICIE ▽ PERFIL DE CUALQUIER LINEA ∩ VARIACION ⊕ POSICION REAL ◎ CONCENTRICIDAD ≡ SIMETRIA <p>ASME Y14.5M 1994</p>	<p>A MENOS QUE SE ESPECIFIQUE DE OTRA MANERA, LAS TOLERANCIAS DE LAS DIMS; SON LAS SIGUIENTES:</p> <p>PULG ±.1 ±.02 ±.005 ±.0005</p> <p>mm ±0.5 ±0.13 ±0.013</p> <p>ANG. ±50 GRADOS</p> <p>ELIMINAR REBABAS Y ORILLAS FILOSAS DEL BORDE.</p> <p>PULG .003-.015 mm 0.1-0.4</p> <p>FILETEAR ESQUINA: PULG .020 mm 0.5</p> <p>MAQUINAR SUPERFICIES</p> <p>PULG 125 mm 3.2</p> <p>DIMS METRICAS MOSTRADAS [PARENTESIS]</p>
---	--

DIBUJADO POR:	02-05-2013
A.SUN	
APROBADO POR:	02-05-2013
K.GONG	
TERCER ANGULO DE PROYECCION	FECHA EDS: 11-11-2011
⊕	REV. FORMATO: H

CONFIDENCIAL: ESTE DIBUJO Y SU INFORMACION SON PROPIEDAD DE USO EXCLUSIVO Y CONFIDENCIAL DE REGAL-BELOIT CORPORATION. Y NO DEBERAN SER REVELADOS, DUPLICADOS, DISTRIBUIDOS O USARSE DE OTRA MANERA SIN EL CONSENTIMIENTO ESCRITO DE REGAL-BELOIT CORPORATION. -TODOS LOS DERECHOS RESERVADOS.

REGAL REGAL-BELOIT CORPORATION	
DESCRIPCION:	
MODEL-CFHP-56FR OUTLINE	
TAMAÑO: C	NUMERO DE DIBUJO: C863
ESCALA: NONE	HOJA: 1

4

3

2

1