

PRODUCT INFORMATION PACKET



Model No: D0006

Catalog No: D0006

Fan and Blower Motor, 1/2 HP, 1 Ph, 60 Hz, 208-230 V, 1075 RPM, 2 Speed, 48 Frame, OPEN



Regal and Century are trademarks of Regal Rexnord Corporation or one of its affiliated companies.
©2025 Regal Rexnord Corporation, All Rights Reserved. MC017097E





Nameplate Specifications

Phase	1	Output HP	1/2 Hp
Output KW	0.37 kW	Voltage	208-230 V
Speed	1075 rpm	Service Factor	1.0
Frame	48Y	Enclosure	Open Enclosed
Thermal Protection	Automatic	Ambient Temperature	40 °C
Frequency	60 Hz	Current	3.2 A
Duty	Air Over	Insulation Class	B
UL	Recognized	CSA	Y
CE	N	Number of Speeds	2

Technical Specifications

Electrical Type	Permanent Split Capacitor	Starting Method	Across The Line
Poles	6	Rotation	Reversible
Mounting	Resilient Rings	Motor Orientation	Horizontal
Drive End Bearing	Sleeve	Opp Drive End Bearing	Sleeve
Frame Material	Rolled Steel	Shaft Type	Flat
Overall Length	9.86 in	Frame Length	4.25 in
Shaft Diameter	0.500 in	Shaft Extension	4.5 in
Outline Drawing	11760-086-S01	Connection Drawing	614131-171

This is an uncontrolled document once printed or downloaded and is subject to change without notice. Date Created:02/10/2025

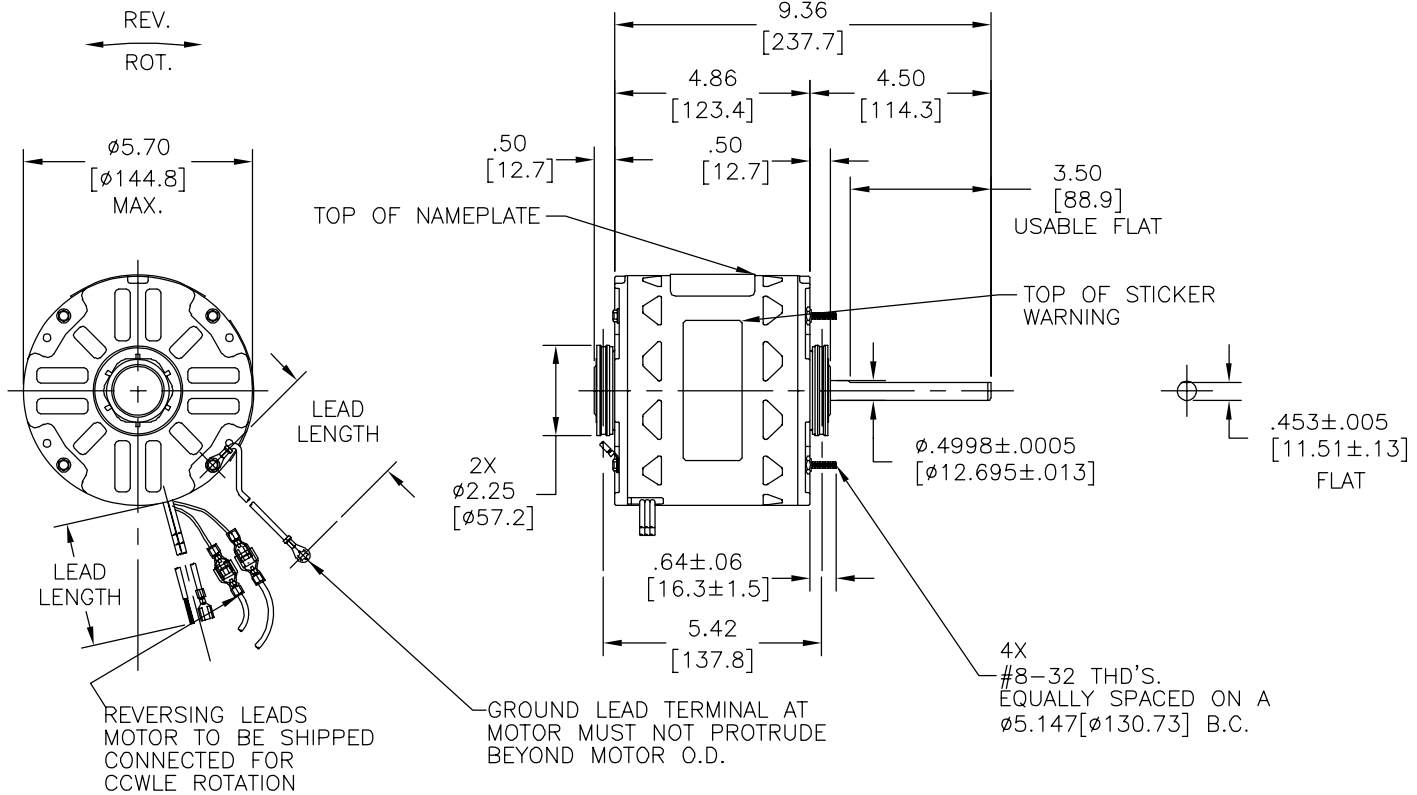
REV	ECO	REV BY	DATE	APPD	DATE
C	0025541	I. ORTIZ	04-24-2012	D. BALDERRAMA	04-24-2012

GENERAL INFORMATION:

SHAFT RUNOUT: .001 [.03] T.I.R. PER INCH LENGTH OF EXTENSION
 END PLAY: .010[.25] TO .063[1.60]
 BEARINGS: SLEEVE
 MOUNTING POSITION: HORIZONTAL

ELECTRICAL DATA:

OVERLOAD PROTECTOR: AUTOMATIC RESET (T.I. 7AM 036)
 LEADS: NO. 18 GA., .06[1.5] THK., PVC 105°C INSUL.
 REVERSING LEADS: NO. 18 GA., .03[.8] THK., 125°C INSUL.
 GROUND LEAD: NO. 18 GA., .03[.8] THK., GREEN INSUL.

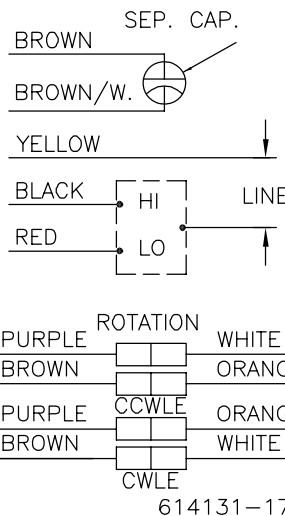


NAMEPLATE DATA:

MODEL NO: F48N01A01
 CUST. P/N: []
 HP: 1/2
 ROT.: REVERSIBLE
 RPM: 1075/2 SPD.
 TYPE: UF
 FRAME: 48Y
 VOLTS: 208-230
 PH: 1
 AMPS: 3.2 (4.3 MAX)
 HZ: 60
 INS.: B
 AMB: 40°C
 DUTY: AIR OVER
 CAP.: 7.5 MFD/370V
 ENCL: OPEN
 UL & CSA LOGO
 THERMALLY PROTECTED

SEE NOTE 2

EXTERNAL CONNECTION DIAGRAM



GREEN(GRD)	9/11 [229/279]	#10 EYELET
BROWN(REV)	4/6 [102/152]	.25[6.4] PRE-INSUL. FEMALE SPADE
WHITE(REV)	4/6 [102/152]	.25[6.4] PRE-INSUL. MALE TAB
ORANGE(REV)	4/6 [102/152]	.25[6.4] PRE-INSUL. MALE TAB
PURPLE(REV)	4/6 [102/152]	.25[6.4] PRE-INSUL. FEMALE SPADE
BROWN	25/27 [635/686]	.25[6.4] FEMALE SPADE
BROWN/WHITE	25/27 [635/686]	.25[6.4] FEMALE SPADE
YELLOW	25/27 [635/686]	.60[15.2] SKIN
BLACK	25/27 [635/686]	.60[15.2] SKIN
RED	25/27 [635/686]	.60[15.2] SKIN
COLOR	LENGTH	TERMINAL OR STRIP LENGTH

- NOTES:
 1. SNAP RINGS 615035, 4 REQUIRED, TO BE PACKED WITH EACH MOTOR
 2. DISTRIBUTION PART NUMBER: D0006
 GRAINGER PART NUMBER: 4KA29

MAIN FRAME - OLE	OPEN
END FRAME - OLE	OPEN
MAIN FRAME - LE	OPEN
END FRAME - LE	OPEN

CUSTOMER	DISTRIBUTION SERVICES
----------	-----------------------

PERFORMANCE CURVE NO.	TORQUE @ 1075 RPM (25°C)	APPROVED SAMPLE	UL COMPONENT FILE #	CCN #	CSA FILE #	CLASS #
C31362	50.6 OZ. FT.	96AC231B	E46412	PRGY2	LR43341	4211-01

GEOMETRIC CHARACTERISTICS & SYMBOLS
 □ FLATNESS
 — STRAIGHTNESS
 ∠ ANGULARITY
 ⊥ PERPENDICULARITY (SQUARENESS)
 ∥ PARALLELISM
 ○ ROUNDNESS (CIRCULARITY)
 ∅ CYLINDRICITY
 △ PROFILE OF ANY SURFACE
 ∇ PROFILE OF ANY LINE
 ↗ RUNOUT
 ⊕ TRUE POSITION
 ⊙ CONCENTRICITY
 ≡ SYMMETRY
 ASME Y14.5M 1994

REGAL-BELOIT CORPORATION (RBC) PROVIDES TECHNICAL ASSISTANCE TO OUR CUSTOMERS IN SEVERAL AREAS. SINCE RBC DOES NOT RECEIVE ALL DATA CONCERNING THE USE AND APPLICATION OF THE MOTOR, THE SUITABILITY OF THE MOTOR FOR THE APPLICATION MUST BE DETERMINED BY THE CUSTOMER.

DIMENSIONS WITHOUT TOLERANCES ARE FOR REFERENCE ONLY.

DR BY: J RUPERT 03-30-1999
 APPD: J MUR 04-01-1999
 THIRD ANGLE PROJECTION
 EDS DATE 11-11-2011
 FORMAT REV G
 CONFIDENTIAL: THIS DRAWING AND ITS INFORMATION ARE THE EXCLUSIVE AND CONFIDENTIAL PROPERTY OF REGAL-BELOIT CORPORATION AND ARE NOT TO BE DISCLOSED, DUPLICATED, DISTRIBUTED OR OTHERWISE USED WITHOUT THE WRITTEN CONSENT OF REGAL-BELOIT CORPORATION. -ALL RIGHTS RESERVED.



DESCRIPTION	OUTLINE
SIZE	C
DWG NO	11760-086
SCALE	NONE
SHEET	1

4

3

2

1

INFORMACION GENERAL:

OSCILACION DE FLECHA: .001 [.03] L.T.I. LONGITUD DE EXTENSION POR PULGADA

JUEGO AXIAL: .010[.25] A .063[1.60]

BALEROS: FUNDA

POSICION DE MONTAJE: HORIZONTAL

DATOS ELECTRICOS:

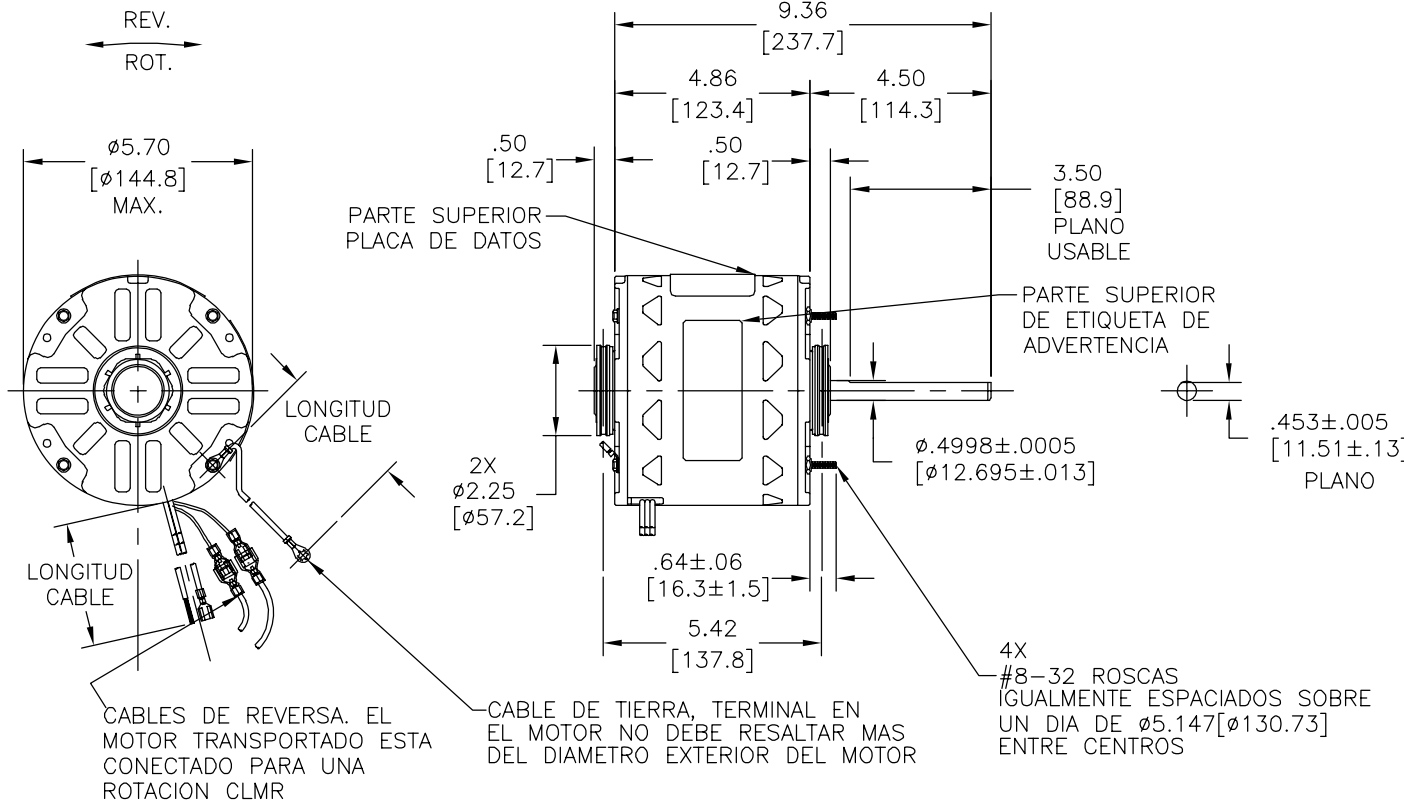
SOBRECARGA DEL PROTECTOR: REINICIO AUTOMATICO (T.I. 7AM 036)

CABLES: CAL. NO. 18, .06[1.5] ESPESOR, PVC 105°C AISLANTE

CABLES REVERSIBLES: CAL. NO. 18, .03[.8] THK., 125°C AISLANTE

CABLE DE TIERRA: CAL. NO. 18, .03[.8] ESPESOR, AISLANTE VERDE

REVISION:	ECO	REVISADO POR:	FECHA:	APROBADO POR:	FECHA:
C	0025541	I. ORTIZ	04-24-2012	D. BALDERRAMA	04-24-2012

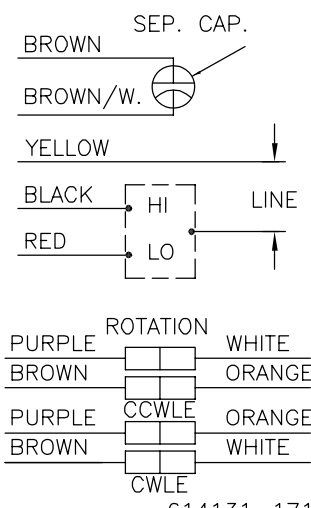


INF. PLACA DE DATOS:

VER NOTA 2

DIAGRAMA DE CONEXION EXTERNA

MODEL NO: F48N01A01
 CUST. P/N: []
 HP: 1/2
 ROT.: REVERSIBLE
 RPM: 1075/2 SPD.
 TYPE: UF
 FRAME: 48Y
 VOLTS: 208-230
 PH: 1
 AMPS: 3.2 (4.3 MAX)
 HZ: 60
 INS.: B
 AMB: 40°C
 DUTY: AIR OVER
 CAP.: 7.5 MFD/370V
 ENCL: OPEN
 UL & CSA LOGO
 THERMALLY PROTECTED



VERDE (TIERRA)	9/11 [229/279]	#10 OJILLO
CAFE (REV)	4/6 [102/152]	.25[6.4] PRE-AISL. TERMINAL HEMBRA
BLANCO (REV)	4/6 [102/152]	.25[6.4] PRE-AISL. TERMINAL MACHO
NARANJA (REV)	4/6 [102/152]	.25[6.4] PRE-AISL. TERMINAL MACHO
MORADO (REV)	4/6 [102/152]	.25[6.4] PRE-AISL. TERMINAL HEMBRA
CAFE	25/27 [635/686]	.25[6.4] TERMINAL HEMBRA
CAFE/BLANCO	25/27 [635/686]	.25[6.4] TERMINAL HEMBRA
AMARILLO	25/27 [635/686]	.60[15.2] FORRO
NEGRO	25/27 [635/686]	.60[15.2] FORRO
ROJO	25/27 [635/686]	.60[15.2] FORRO
COLOR	LONGITUD	TERMINAL O LONGITUD DE DESFORRE

- NOTAS:
- ANILLO DE RETENCION 615035, 4 REQUERIDOS, SON EMPACADOS CON CADA MOTOR.
 - NUMERO DE PARTE DE DISTRIBUCION: B0006
NUMERO DE PARTE GRAINGER: 4KA29

CURVAS DE FUNCIONAMIENTO	TORSION @1075 RPM (25°C)	MUESTRA APROBADA	COMPONENTE UL	CSA
C31362	50.6 OZ. PULG.	96AC231B	#ARCHIVO PRGY2	LR43341 4211-01

CARCASA - LOC	ABIERTO
TAPA - LOC	ABIERTO
CARCASA - LC	ABIERTO
TAPA - LC	ABIERTO

CLIENTE	DISTRIBUTION SERVICES
---------	-----------------------

- CARACTERISTICAS DE GEOMETRIA Y SIMBOLOS
- PLANICIDAD
 - RECTITUD
 - ANGULARIDAD
 - PERPENDICULARIDAD (A ESCUADRA)
 - PARALELISMO
 - REDONDEZ (CIRCULARIDAD)
 - CILINDRICIDAD
 - PERFIL DE CUALQUIER SUPERFICIE
 - PERFIL DE CUALQUIER LINEA
 - VARIACION
 - POSICION REAL
 - CONCENTRICIDAD
 - SIMETRIA
- ASME Y14.5M 1994

REGAL-BELOIT CORPORATION (RBC) PROVEE ASISTENCIA TECNICA A NUESTROS CLIENTES EN VARIAS AREAS. DESDE QUE RBC NO RECIBE TODOS LOS DATOS EN RELACION AL USO Y A LA APLICACION DEL MOTOR, LA APLICACION ADECUADA DEL MOTOR DEBE SER DETERMINADA POR EL CLIENTE.

DIMENSIONES SIN TOLERANCIA SON DE REFERENCIA SOLAMENTE

DIBUJADO POR: J RUPERT 03-30-1999
 APROBADO POR: J MUR 04-01-1999
 TERCER ANGULO DE PROYECCION
 FECHA EDS: 11-11-2011
 REV. FORMATO: G
 CONFIDENCIAL: ESTE DIBUJO Y SU INFORMACION SON PROPIEDAD DE USO EXCLUSIVO Y CONFIDENCIAL DE REGAL-BELOIT CORPORATION. Y NO DEBERAN SER REVELADOS, DUPLICADOS, DISTRIBUIDOS O USARSE DE OTRA MANERA SIN EL CONSENTIMIENTO ESCRITO DE REGAL-BELOIT CORPORATION. -TODOS LOS DERECHOS RESERVADOS.

REGAL-BELOIT CORPORATION

DESCRIPCION: OUTLINE

TAMAÑO: C NUMERO DE DIBUJO: 11760-086

ESCALA: NONE HOJA: 1

4

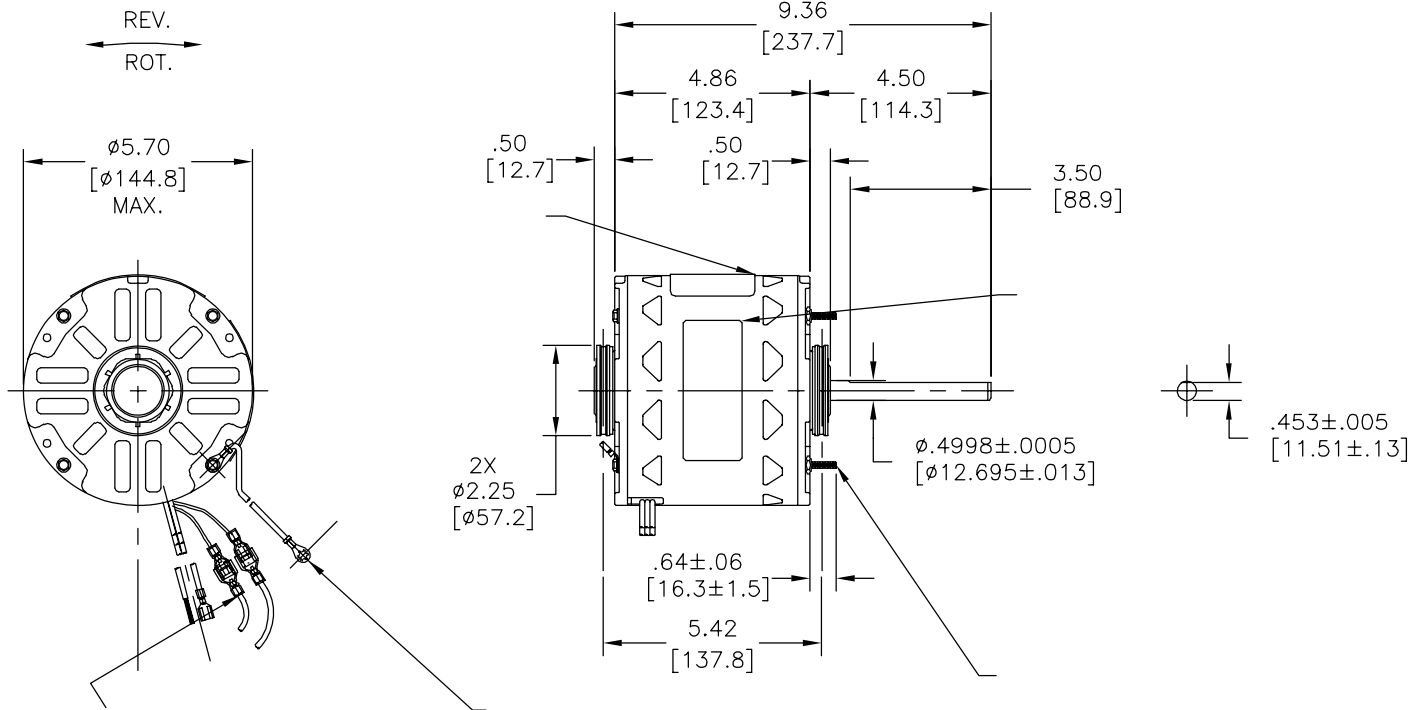
3

2

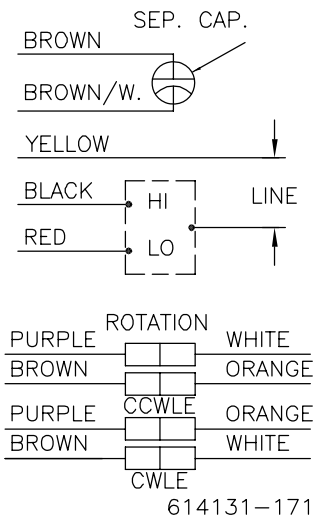
1

版本	ECO	编制	日期	批准	日期
C	0025541	I. ORTIZ	04-24-2012	D. BALDERRAMA	04-24-2012

总技术要求:



MODEL NO: F48N01A01
 CUST. P/N: []
 HP: 1/2
 ROT.: REVERSIBLE
 RPM: 1075/2 SPD.
 TYPE: UF
 FRAME: 48Y
 VOLTS: 208-230
 PH: 1
 AMPS: 3.2 (4.3 MAX)
 HZ: 60
 INS.: B
 AMB: 40°C
 DUTY: AIR OVER
 CAP.: 7.5 MFD/370V
 ENCL: OPEN
 UL & CSA LOGO
 THERMALLY PROTECTED



	9/11	
	[229/279]	
	4/6	
	[102/152]	
	4/6	
	[102/152]	
	4/6	
	[102/152]	
	25/27	
	[635/686]	
	25/27	
	[635/686]	
	25/27	
	[635/686]	
	25/27	
	[635/686]	
	25/27	
	[635/686]	
颜色	长度	端子或剥线长度

无引线端机壳	
无引线端端盖	
有引线端机壳	
有引线端端盖	

用户	DISTRIBUTION SERVICES
----	-----------------------

性能曲线编号	批准样品	UL部件	CSA
C31362	96AC231B	文件号 指南	文件号 指南
		E46412 PRGY2	LR43341 4211-01

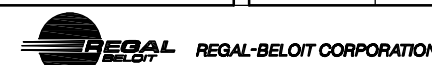
- 形位公差
- 平面度
- 直线度
- ∠ 倾斜度
- ⊥ 垂直度
- ∥ 平行度
- 圆度
- ⊘ 圆柱度
- ⊖ 面轮廓度
- ⊖ 线轮廓度
- ↻ 圆跳动
- ⊕ 位置度
- ⊙ 同轴度
- ≡ 对称度

ASME Y14.5M 1994

REGAL-BELOIT CORPORATION (RBC) 在个别领域为客户提供技术支持。鉴于RBC未收到任何涉及电机使用和应用环境的数据, 电机的适用性由客户自己决定。

未注公差尺寸仅供参考。

绘图:	J RUPERT	03-30-1999
批准:	J MUR	04-01-1999
第三角投影		图纸格式发布日期 11-11-2011 图纸格式版本 G
机密:	本图纸及相关信息所有权归REGAL-BELOIT CORPORATION。未经REGAL-BELOIT CORPORATION书面授权, 不得泄露、复制、传播或作其他用途。—版权所有	



名称	OUTLINE	
图幅	C	图号 11760-086
比例	NONE	页号 1

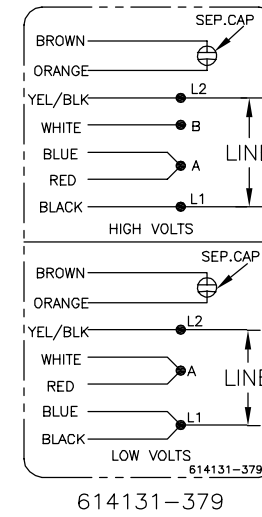
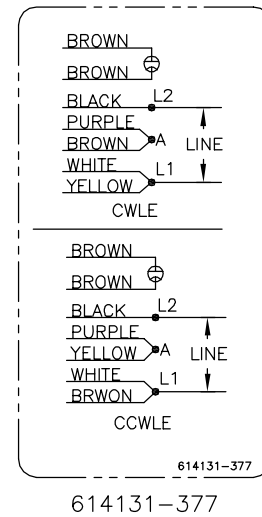
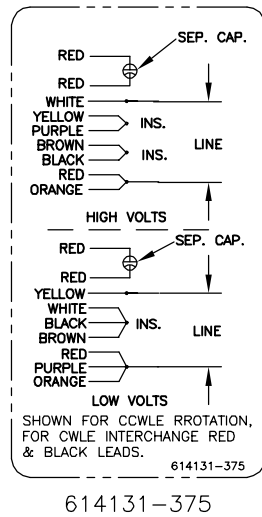
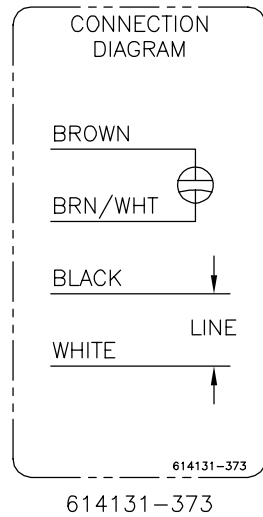
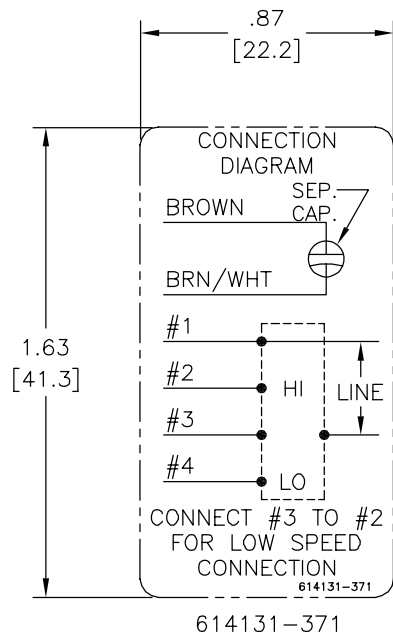
4

3

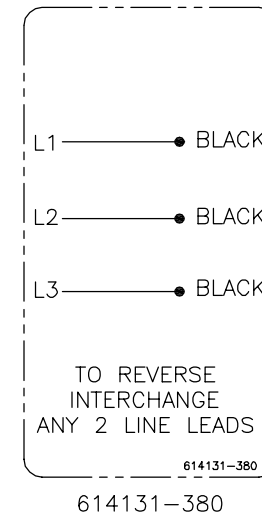
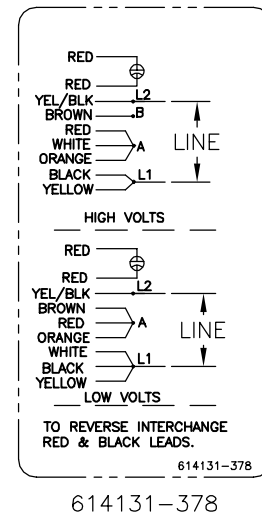
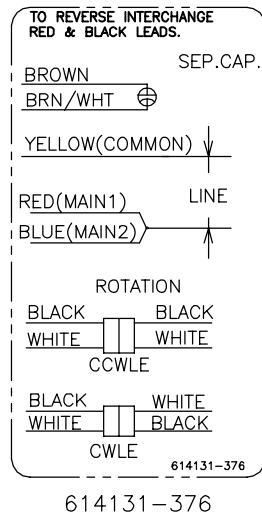
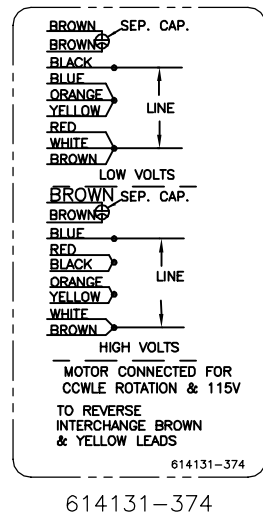
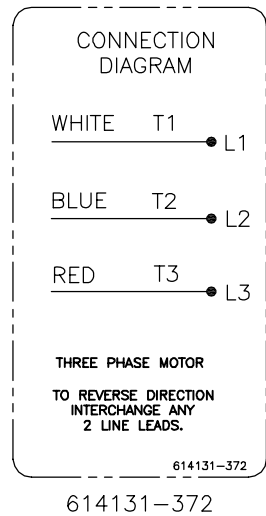
2

1

REV	REFERENCE ECN	REFERENCE PROJECT	REV BY	DATE	APPD	DATE
D.04	00017504	0703436	Hong	04/09/2008		



LOW VOLTS (CWLE)



NOTES:

- FOR USE WITH 614129 NAMEPLATE BLANK
- INDICATES DIMENSION LIMITS
- DIE TO BE MADE FROM MASTER SUPPLIED BY A. O. SMITH CORPORATION
- DIE MUST PRODUCE A LEGIBLE IMPRESSION.

GEOMETRIC CHARACTERISTICS & SYMBOLS

- FLATNESS
- STRAIGHTNESS
- ∠ ANGULARITY
- ⊥ PERPENDICULARITY (SQUARENESS)
- // PARALLELISM
- ROUNDNESS (CIRCULARITY)
- ⊘ CYLINDRICITY
- △ PROFILE OF ANY SURFACE
- ∇ PROFILE OF ANY LINE
- ↗ RUNOUT
- ⊕ TRUE POSITION
- ◎ CONCENTRICITY
- ≡ SYMMETRY

UNLESS OTHERWISE SPECIFIED DIM. TOLERANCES ARE AS FOLLOWS:

INCH X XX XXX XXXX
 ±.1 ±.02 ±.005 ±.0005
 mm ±0.5 ±0.13 ±0.013

ANG. ±.50 DEG
 REMOVE BURRS & BREAK SHARP EDGES:
 INCH .003-.015 mm 0.1-0.4

CORNER FILLETS TO:
 INCH .020 mm 0.5

MACHINE SURFACES:
 INCH 125 mm 3.2

METRIC DIMS. SHOWN IN [BRACKETS]

DR BY: jrupert 08-15-2007

APPD: cbranch 08/15/2007

THIRD ANGLE PROJECTION

EDS DATE 01-21-2007
 FORMAT REV E

CONFIDENTIAL: THIS DRAWING AND ITS INFORMATION ARE THE EXCLUSIVE AND CONFIDENTIAL PROPERTY OF A.O. SMITH CORP. AND ARE NOT TO BE DISCLOSED, DUPLICATED, DISTRIBUTED OR OTHERWISE USED WITHOUT THE WRITTEN CONSENT OF A.O. SMITH CORP.
 -ALL RIGHTS RESERVED. ASME Y14.5M 1994

A.O. SMITH A DIVISION OF A. O. SMITH CORPORATION
 ELECTRICAL PRODUCTS COMPANY TIPP CITY, OHIO COPYRIGHT 1995

DESCRIPTION
CONN DIAGRAM - EXTERNAL

SIZE C DWG NO 614131 -371 THRU -380

SCALE NONE SHEET 38

4

3

2

1

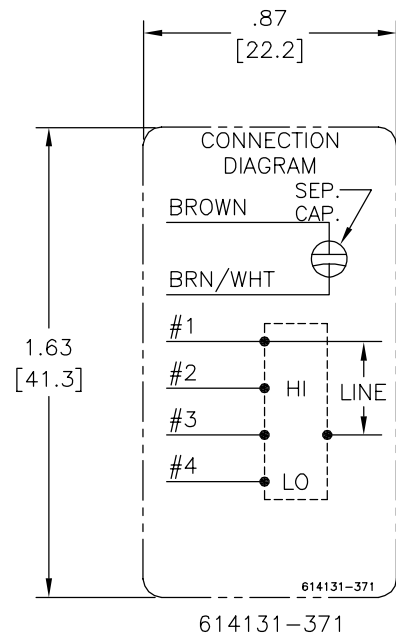
4

3

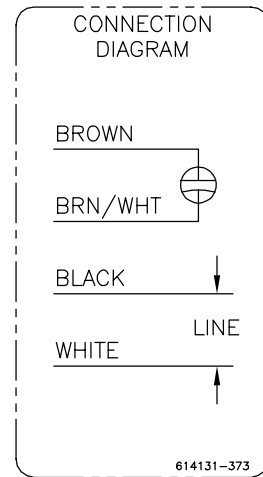
2

1

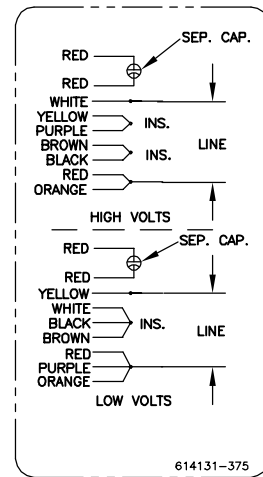
REVISION:	ECN REFERENCIA:	PROYECTO REFERENCIA:	REVISADO POR:	FECHA:	APROBADO POR:	FECHA:
D.04	00017504	0703436	Hong	04/09/2008		



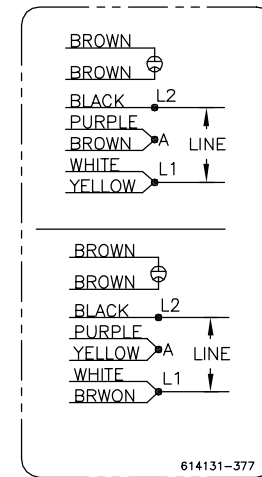
614131-371



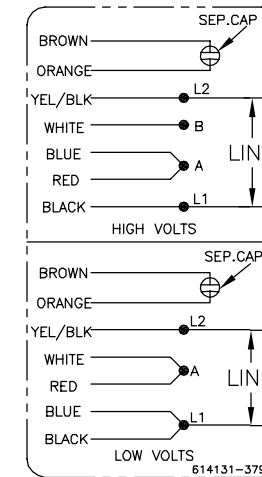
614131-373



614131-375

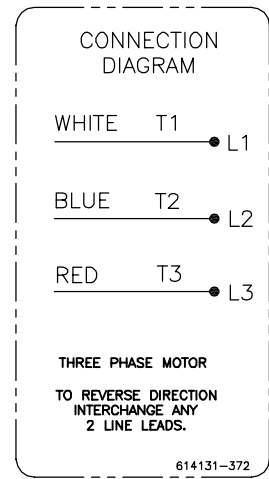


614131-377

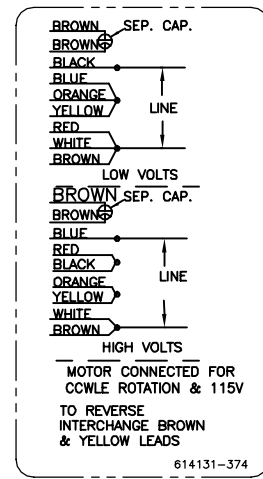


614131-379

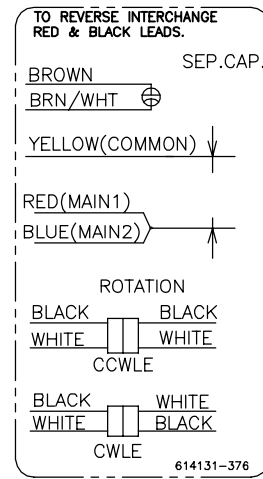
LOW VOLTS (CWLE)



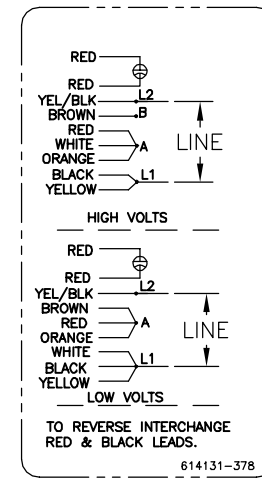
614131-372



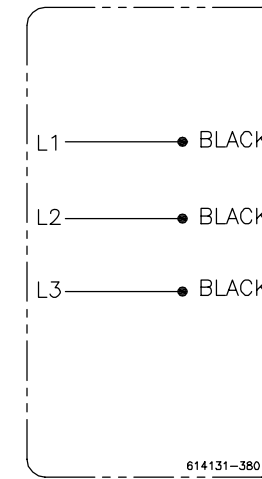
614131-374



614131-376



614131-378



614131-380

NOTES:

1. FOR USE WITH 614129 NAMEPLATE BLANK
2. ——— INDICATES DIMENSION LIMITS
3. DIE TO BE MADE FROM MASTER SUPPLIED BY A. O. SMITH CORPORATION
4. DIE MUST PRODUCE A LEGIBLE IMPRESSION.

CARACTERISTICAS DE GEOMETRIA Y SIMBOLOS

- PLANICIDAD
- RECTITUD
- ∠ ANGULARIDAD
- ⊥ PERPENDICULARIDAD (A ESCUADRA)
- // PARALELISMO
- REDONDEZ (CIRCULARIDAD)
- ∅ CILINDRICIDAD
- △ PERFIL DE CUALQUIER SUPERFICIE
- ∧ PERFIL DE CUALQUIER LINEA
- ∩ VARIACION
- ⊕ POSICION REAL
- ⊙ CONCENTRICIDAD
- = SIMETRIA

A MENOS QUE SE ESPECIFIQUE DE OTRA MANERA, LAS TOLERANCIAS DE LAS DIMS; SON LAS SIGUIENTES:

mm ±0.5 ±0.13 ±0.013

PULG ±.1 ±.02 ±.005 ±.0005

FILETEAR ESQUINA: PULG .020 mm 0.5

MAQUINAR SUPERFICIES

PULG 125 mm 3.2

DIMS METRICAS MOSTRADAS [PARENTESIS]

DIBUJADO POR: jrupert

APROBADO POR: cbranh

TERCER ANGULO DE PROYECCION

CONFIDENCIAL: ESTE DIBUJO Y SU INFORMACION SON PROPIEDAD DE USO EXCLUSIVO Y CONFIDENCIAL DE A.O.SMITH CORP. Y NO DEBERAN SER REVELADOS, DUPLICADOS, DISTRIBUIDOS O USARSE DE OTRA MANERA SIN EL CONSENTIMIENTO ESCRITO DE A.O. SMITH CORP. -TODOS LOS DERECHOS RESERVADOS.ASME Y14.5M 1994

DIBUJADO POR: jrupert

APROBADO POR: cbranh

TERCER ANGULO DE PROYECCION

CONFIDENCIAL: ESTE DIBUJO Y SU INFORMACION SON PROPIEDAD DE USO EXCLUSIVO Y CONFIDENCIAL DE A.O.SMITH CORP. Y NO DEBERAN SER REVELADOS, DUPLICADOS, DISTRIBUIDOS O USARSE DE OTRA MANERA SIN EL CONSENTIMIENTO ESCRITO DE A.O. SMITH CORP. -TODOS LOS DERECHOS RESERVADOS.ASME Y14.5M 1994

A.O. SMITH
ELECTRICAL PRODUCTS COMPANY
TIPP CITY, OHIO

A DIVISION OF A. O. SMITH CORPORATION

DESCRIPCION:
CONN DIAGRAM - EXTERNAL

TAMAÑO: C

NUMERO DE DIBUJO: 614131 -371 THRU -380

ESCALA: NONE

HOJA: 38

4

3

2

1

