

# PRODUCT INFORMATION PACKET



Model No: D1026

Catalog No: D1026

Fan and Blower Motor, 1/4 HP, 1 Ph, 60 Hz, 208-230 V, 1075 RPM, 3 Speed, 48 Frame, OPEN



Regal and Century are trademarks of Regal Rexnord Corporation or one of its affiliated companies.  
©2022 Regal Rexnord Corporation, All Rights Reserved. MC017097E





**Nameplate Specifications**

Output HP	1/4 Hp	Output KW	0.19 kW
Frequency	60 Hz	Voltage	208-230 V
Current	2.0 A	Speed	1075 rpm
Service Factor	1	Phase	1
Duty	Air Over	Insulation Class	B
Frame	48	Enclosure	Open Enclosed
Thermal Protection	Automatic	Ambient Temperature	40 °C
UL	Recognized	CSA	Y
CE	N	Number of Speeds	3

**Technical Specifications**

Electrical Type	Permanent Split Capacitor	Starting Method	Across The Line
Poles	6	Rotation	Reversible
Mounting	Resilient Rings	Motor Orientation	Horizontal
Drive End Bearing	Ball	Opp Drive End Bearing	Ball
Frame Material	Rolled Steel	Shaft Type	Flat
Overall Length	9.11 in	Frame Length	3.50 in
Shaft Diameter	0.500 in	Shaft Extension	4.5 in
Connection Drawing	D0000607-001	Outline Drawing	D1026_FA

This is an uncontrolled document once printed or downloaded and is subject to change without notice. Date Created:11/28/2022

GENERAL INFORMATION:

SHAFT RUNOUT: .001[.03] T.I.R. PER INCH LENGTH OF EXTENSION

BEARINGS: BALL

MOUNTING POSITION: HORIZONTAL

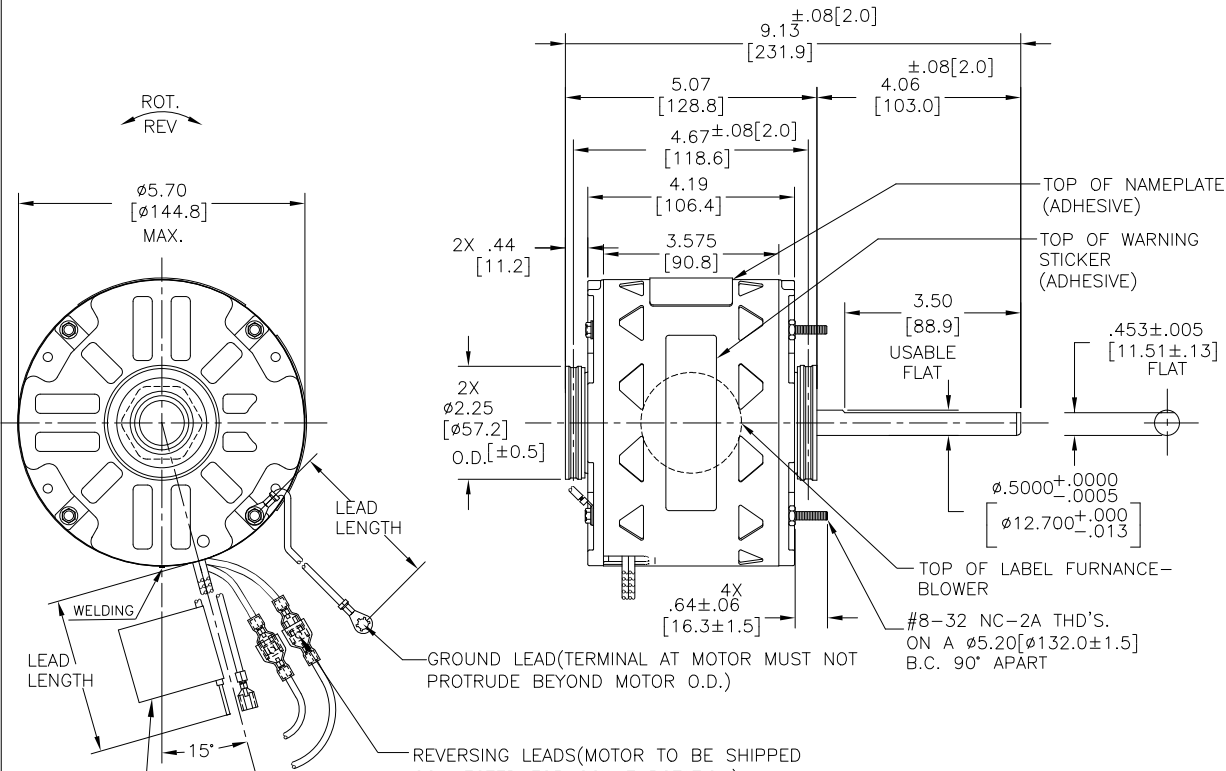
ELECTRICAL DATA:

OVERLOAD PROTECTOR: AUTOMATIC RESET (SENSATA 7AM 036)

LEADS: NO. 18 GA., .03[.8] THK.,XLP 125°C INSUL.

REVERSING LEADS: NO. 18 GA., .03[.8] THK., XLP 125°C INSUL.

GROUND LEAD: NO. 18 GA., .03[.8] THK.,(GREEN)INSUL.



SEE NOTES 2

LEAD DATA

COLOR	LENGTH	TERMINAL OR STRIP LENGTH
RED	25.0/27.0 [635/686]	.60[15.2] SKIN
BLUE	25.0/27.0 [635/686]	.60[15.2] SKIN
BLACK	25.0/27.0 [635/686]	.60[15.2] SKIN
WHITE	25.0/27.0 [635/686]	.60[15.2] SKIN
BROWN/WHITE	25.0/27.0 [635/686]	.25[6.4] FEMALE SPADE
BROWN	25.0/27.0 [635/686]	.25[6.4] FEMALE SPADE
BROWN (REV)	4.0/6.0[102/152]	.25[6.4] PRE-INSUL. FEMALE SPADE
ORANGE(REV)	4.0/6.0[102/152]	.25[6.4] PRE-INSUL. MALE SPADE
PURPLE(REV)	4.0/6.0[102/152]	.25[6.4] PRE-INSUL. FEMALE SPADE
WHITE (REV)	4.0/6.0[102/152]	.25[6.4] PRE-INSUL. MALE SPADE
GREEN (GRD)	9.0/11.0 [229/279]	10# EYELET

NOTES:

1. SPLIT RING ADAPTOR 615035 (4 REQ'D) TO BE PACKED WITH EACH MOTOR.
2. ATTACH WARNING/CONNECTION LABEL TO COMMON (WHITE) LEAD APPROX. 2.0[51] FROM MOTOR (ADHESIVE).
3. ALL LABEL READ FROM LE.
4. SPRING SHIM/THRUST WASHER IN OLE SIDE.

SAMPLE SM19-503 NAMEPLATE DATA:	EXTERNAL CONNECTION DIAGRAM
MODEL: 5KCP39FGDD704S CUST. P/N: D1026 HP: 1/4 ROT: REVERSIBLE RPM: 1075/3 SPD TYPE: UF FRAME: 48Y VOLTS: 208-230 PH: 1 AMPS: 2.0 HZ: 60 INS: B AMB: 40°C DUTY: AIR OVER CAP.: 5 MFD/370V THERMALLY PROTECTED	<p>SEP. CAP. BROWN BROWN/W. WHITE BLACK HI BLUE MED RED LO ROTATION PURPLE WHITE BROWN ORANGE CCWLE PURPLE ORANGE BROWN WHITE CWLE</p>
 E27885 MADE IN INDIA	D0000607-001

ENCLOSURE	
END FRAME - LE	OPEN
MAIN FRAME - LE	OPEN
END FRAME - OLE	OPEN
MAIN FRAME - OLE	OPEN

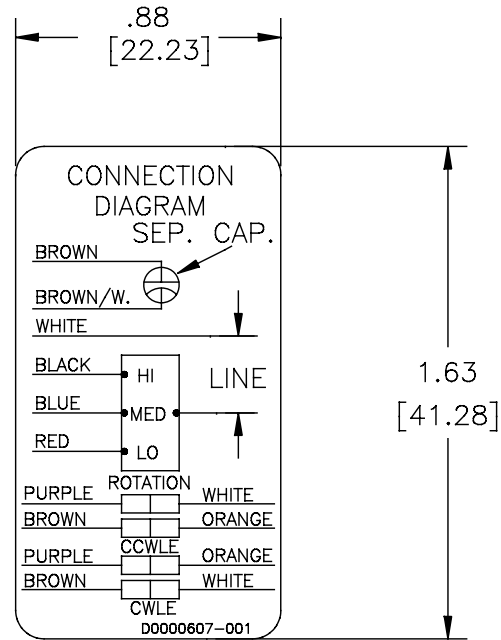
REGAL-BELOIT CORPORATION (RBC) PROVIDES TECHNICAL ASSISTANCE TO OUR CUSTOMERS IN SEVERAL AREAS. SINCE RBC DOES NOT RECEIVE ALL DATA CONCERNING THE USE AND APPLICATION OF THE MOTOR, THE APPLICABILITY OF THE MOTOR FOR THE APPLICATION MUST BE DETERMINED BY THE CUSTOMER.

DIMENSIONS WITHOUT TOLERANCES ARE FOR REFERENCE ONLY.

CUSTOMER	DISTRIBUTION SERVICES
----------	-----------------------

DRAWING REVISION	REVISION BY	DATE
C	MG	06-04-22
ECO	APPROVED BY	DATE
ECR-0216723	LS	06-04-22
ECO DESCRIPTION		
Endshield view updated and Endplay removed from general information		
<small>COPYRIGHT REGAL BELOIT AMERICA, INC. ALL RIGHTS RESERVED. PROPRIETARY AND CONFIDENTIAL INFORMATION - THIS DOCUMENT IS THE PROPERTY OF REGAL BELOIT AMERICA, INC. (OWNER) AND CONTAINS OWNER'S PROPRIETARY INFORMATION. ANY PERSON, CORPORATION OR OTHER ENTITY RECEIVING IT IS DEMAND, BY RECEIVING IT, TO AGREE THAT IT, AND/OR ANY PART OF IT, SHALL NOT BE DISCLOSED TO ANY PERSON, CORPORATION OR OTHER ENTITY, DUPLICATED, AND/OR USED, EXCEPT AS EXPRESSLY APPROVED IN WRITING IN ADVANCE BY OWNER. THIS DOCUMENT SHALL BE RETURNED TO OWNER UPON REQUEST. IT MAY BE SUBJECT TO CERTAIN RESTRICTIONS UNDER APPLICABLE EXPORT CONTROL LAWS AND REGULATIONS.</small>		

DRAWN BY:	DATE:	Regal Beloit America, Inc.
MIK	20.01.20	
APPROVED BY:	DATE:	
LS	20.01.20	
PROCESS/FINISH	MATERIAL	
THIRD ANGLE PROJECTION	SIZE DWG NO	
	C	D1026_FA
		SHEET 1



**NOTES:**

1. FOR USE WITH 614129 NAMEPLATE BLANK
2. \_\_\_\_\_ INDICATES DIMENSIONAL LIMITS.
3. DIE MUST PRODUCE A LEGIBLE IMPRESSION.

DRAWING REVISION A	REVISION BY G.ZHAO	DATE 08-19-2015	TOLERANCES UNLESS OTHERWISE SPECIFIED	DRAWN BY: G.ZHAO	<b>Regal Beloit America, Inc.</b>		
ECO 0083498	APPROVED BY C.ZHANG	DATE 08-19-2015	DEC.    INCH    mm    ANGLE	DATE: 08-19-2015			
ECO DESCRIPTION NEW DRAWING			.X    ±0.1    [±2.5]    ±0.5°	APPROVED BY: C.ZHANG	DESCRIPTION <b>CONN DIAGRAM-NAMEPLATE</b>		
<small>COPYRIGHT REGAL BELOIT AMERICA, INC. ALL RIGHTS RESERVED. PROPRIETARY AND CONFIDENTIAL INFORMATION - THIS DOCUMENT IS THE PROPERTY OF REGAL BELOIT AMERICA, INC. ("OWNER") AND CONTAINS OWNER'S PROPRIETARY INFORMATION. ANY PERSON, CORPORATION OR OTHER FIRM RECEIVING IT IS DEEMED, BY RECEIVING IT, TO AGREE THAT IT, AND/OR ANY PART OF IT, SHALL NOT BE DISCLOSED TO ANY PERSON, CORPORATION OR OTHER ENTITY, DUPLICATED, AND/OR USED, EXCEPT AS EXPRESSLY APPROVED IN WRITING IN ADVANCE BY OWNER. THIS DOCUMENT SHALL BE RETURNED TO OWNER UPON REQUEST. IT MAY BE SUBJECT TO CERTAIN RESTRICTIONS UNDER APPLICABLE EXPORT CONTROL LAWS AND REGULATIONS.</small>			.XX    ±0.02    [±0.51]	DATE: 08-19-2015			
						.XXX    ±0.005    [±0.127]	REFERENCE
			.XXXX    ±0.0005    [±0.0127]	THIRD ANGLE PROJECTION	SIZE	DWG NO	SHEET
			REMOVE BURRS & BREAK SHARP EDGES .003/.015 [0.076/.381]		A	D0000607-001	1
			CORNER FILLETS .02 [51]				
			MACHINED SURFACES				
			mm SHOWN IN [BRACKETS]				