

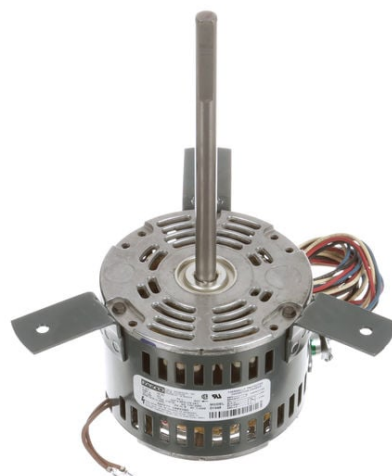
# PRODUCT INFORMATION PACKET

FASCO®

Model No: D1048

Catalog No: D1048

OEM Replacement Motor, 1/20 HP, 1 Ph, 60 Hz, 277 V, 1075 RPM, 3 Speed, 42 Frame, OAO



Regal and Fasco are trademarks of Regal Rexnord Corporation or one of its affiliated companies.

©2022 Regal Rexnord Corporation, All Rights Reserved. MC017097E

RegalRexnord



**Nameplate Specifications**

Output HP	1/20 Hp	Output KW	0.04 kW
Frequency	60 Hz	Voltage	277 V
Current	0.5 A	Speed	1075 rpm
Service Factor	1	Phase	1
Duty	Continuous	Insulation Class	B
Frame	42	Enclosure	Open Air Over
Thermal Protection	Automatic	Ambient Temperature	40 °C
UL	Recognized	CSA	Y
CE	N	Number of Speeds	3

**Technical Specifications**

Electrical Type	Permanent Split Capacitor	Starting Method	Across The Line
Poles	6	Rotation	Clockwise Shaft End
Mounting	Lug	Drive End Bearing	Sleeve
Opp Drive End Bearing	Sleeve	Frame Material	Rolled Steel
Shaft Type	Flat	Overall Length	11.12 in
Frame Length	3.38 in	Shaft Diameter	0.500 in
Shaft Extension	7.25 in		
Outline Drawing	7187025002_S001	Connection Drawing	SEE OUTLINE

This is an uncontrolled document once printed or downloaded and is subject to change without notice. Date Created:11/29/2022

NOTES

1. STATOR LOCATION DIMENSION IS FROM SLEEVE EDGE (OPPOSITE LEAD END) TO STATOR STEEL 1.03/1.01.
2. STATOR STACK 1 1/4".
3. THRU AIR SPACING BETWEEN WIRE AND METAL .094 MIN.
4. TIE BOLT TORQUE TOLERANCE 13-17 IN. LBS.
5. FOR WASHER SET-UP, SEE CHART C600 0279, DETAIL "A".
6. SALES TO SPECIFY ON P.O. WHICH PACK TO USE.

ECO	REV.	DATE	SPEC/CHECK
632836	0	4-13-04	MKR/MKR
639164	1	3-6-09	MKR/MKR
642644	2	12-6-11	MKR/MKR

- 71xx xxxx,R
- A. SEE PACKAGING MANUAL PAGE 19 FOR PACKAGING PROCEDURES.
- 1 MOTOR/CARTON;
  - 16 MOTORS/LAYER;
  - 2 LAYERS/PALLET;
  - 32 MOTORS/PALLET.
- B. SEE DRAWING 8785 6079 SH. 1 FOR PALLET LAYOUT.
- C. CENTER LABEL, 6120 6642, ON END OF CARTON.
- D. PLACE PAMPHLET, 6122 4579, IN CARTON WITH MOTOR.

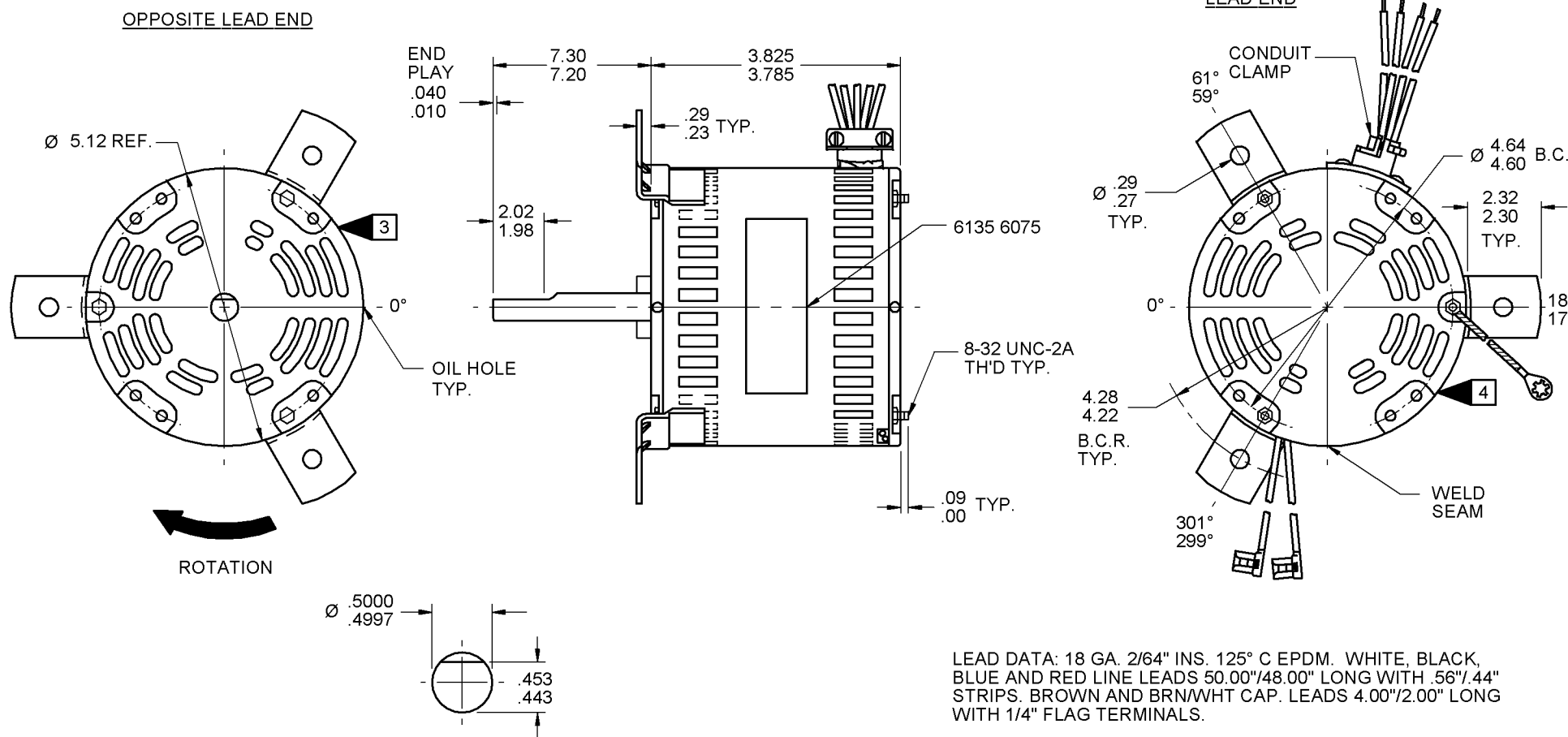
71xx xxxxC

71xx xxxxZ

PRODUCTION TEST AT IDLE 277 VOLTS 60 HZ		MOTOR SPEED	PERFORMANCE TEST 277 VOLTS 60 HZ 1 PH 1/20 HP CAP. 4 MFD 370 VAC											
AMP	WATT		IDLE				LOADED				LOCKED			BREAK
			RPM	AMP	WATT	OZ/IN	RPM	AMP	WATT	OZ/IN	AMP	WATT	OZ/IN	
.35 — .29	94.6 — 77.4	HIGH	1185	.32	86	75	1075	.49	135	66	.90	252	121	
.15 — .13	42.9 — 35.1	MED.	1181	.14	39	29	1075	.21	59	28	.42	113	51	
.10 — .08	25.3 — 20.7	LOW	1175	.09	23	13	1075	.12	33	13	.24	61	26	

HI-POT TEST 2000 VOLTS  
MAX LEAKAGE CURRENT 5 mA

7187 0250 MA



**FASCO** FASCO INDUSTRIES, INC. MOTOR DIVISION ASSEMBLED IN MEXICO

MODEL D1048

DATE/BAR CODE AREA PER 8882 6003

6135 6075,R REV. 2

THIS MOTOR MUST BE GROUNDED IN ACCORDANCE WITH LOCAL OR NATIONAL ELECTRICAL CODES TO PREVENT POSSIBLE INJURY DUE TO ELECTRICAL SHOCK

SPECIAL INSTRUCTIONS: ROTATE WELD SEAM 90° CWLE, AS SHOWN. SHAFT IS BONDERIZED. ROTOR IS RUSTPROOFED. PAMPHLET PACKED WITH MOTOR.

MOTORS PACKED MAX. PER SKID: \_\_\_ PALLET PACK, 32 CARTON PACK, \_\_\_ TRAY PACK.

CUSTOMER: FASCO DISTRIBUTING CO.		PROPRIETARY: DO NOT DUPLICATE OR DISCLOSE TO THIRD PARTIES WITHOUT WRITTEN PERMISSION OF FASCO IND. INC., ELDON MO.	
PART NUMBER: D1048		FASCO INDUSTRIES, INC. MOTOR DIVISION ELDON PLANT	
APPLICATION: DIST. SALES	MOTOR TYPE	MOTOR NUMBER	REV.
FINISH COLOR: GRAY	P.S.C.	7187 0250	2
MOTOR WEIGHT: 8.9 LBS.		R	
ENVIRONMENT: WET			
INSULATION CLASS: B			
	B LA FR A S C E B A		
	00 87 33 V 05 AG 7 7 0		