

PRODUCT INFORMATION PACKET

FASCO®

Model No: D1055

Catalog No: D1055

OEM Replacement Motor, 1/12 HP, 1 Ph, 60 Hz, 115-127 V, 1375 RPM, 3 Speed, 42 Frame, OAO



Regal and Fasco are trademarks of Regal Rexnord Corporation or one of its affiliated companies.

©2022 Regal Rexnord Corporation, All Rights Reserved. MC017097E

RegalRexnord



Nameplate Specifications

| | | | |
|--------------------|------------|---------------------|---------------|
| Output HP | 1/12 Hp | Output KW | 0.06 kW |
| Frequency | 60 Hz | Voltage | 115-127 V |
| Current | 1.4 A | Speed | 1375 rpm |
| Service Factor | 1 | Phase | 1 |
| Duty | Continuous | Insulation Class | B |
| Frame | 42 | Enclosure | Open Air Over |
| Thermal Protection | Automatic | Ambient Temperature | 40 °C |
| UL | Recognized | CSA | Y |
| CE | N | Number of Speeds | 3 |

Technical Specifications

| | | | |
|-----------------------|---------------------------|-------------------|---------------------|
| Electrical Type | Permanent Split Capacitor | Starting Method | Across The Line |
| Poles | 4 | Rotation | Clockwise Shaft End |
| Mounting | Resilient Base | Drive End Bearing | Sleeve |
| Opp Drive End Bearing | Sleeve | Frame Material | Na |
| Shaft Type | Flat | Overall Length | 21.77 in |
| Shaft Diameter | 0.500 in | Shaft Extension | 9.125 in |
| Connection Drawing | SEE OUTLINE | Outline Drawing | 7184037504_S001 |

This is an uncontrolled document once printed or downloaded and is subject to change without notice. Date Created:11/29/2022

NOTES

1. THRU AIR SPACING BETWEEN WIRE AND METAL .094 MIN.
2. TIE BOLT TOLERANCE 7 - 12 IN. LBS.
3. FOR WASHER SET-UP, SEE CHART C600 0279, DETAIL "A".
4. SALES TO SPECIFY ON P.O. WHICH PACK TO USE.

| ECO | REV. | DATE | SPEC/CHECK |
|--------|------|----------|------------|
| 640679 | 4 | 10-20-09 | MKR/MKR |
| 633293 | 1 | 7-27-04 | JAK/RWS |
| 638629 | 2 | 09-17-08 | GAE/GAE |
| 639203 | 3 | 3-12-09 | MKR/MKR |

A. SEE PACKAGING MANUAL PAGE 2 FOR PACKAGING PROCEDURE.

1 MOTOR/CARTON;
10 MOTORS/LAYER;
5 LAYERS/PALLET;
50 MOTORS/PALLET.

B. SEE DRAWING 8785 6079 SH. 2 FOR PALLET LAYOUT.

C. CENTER LABEL, 6120 6640, ON END OF CARTON.

D. PLACE PAMPHLET, 6122 4579, IN CARTON WITH MOTOR.

71xx xxxx,R

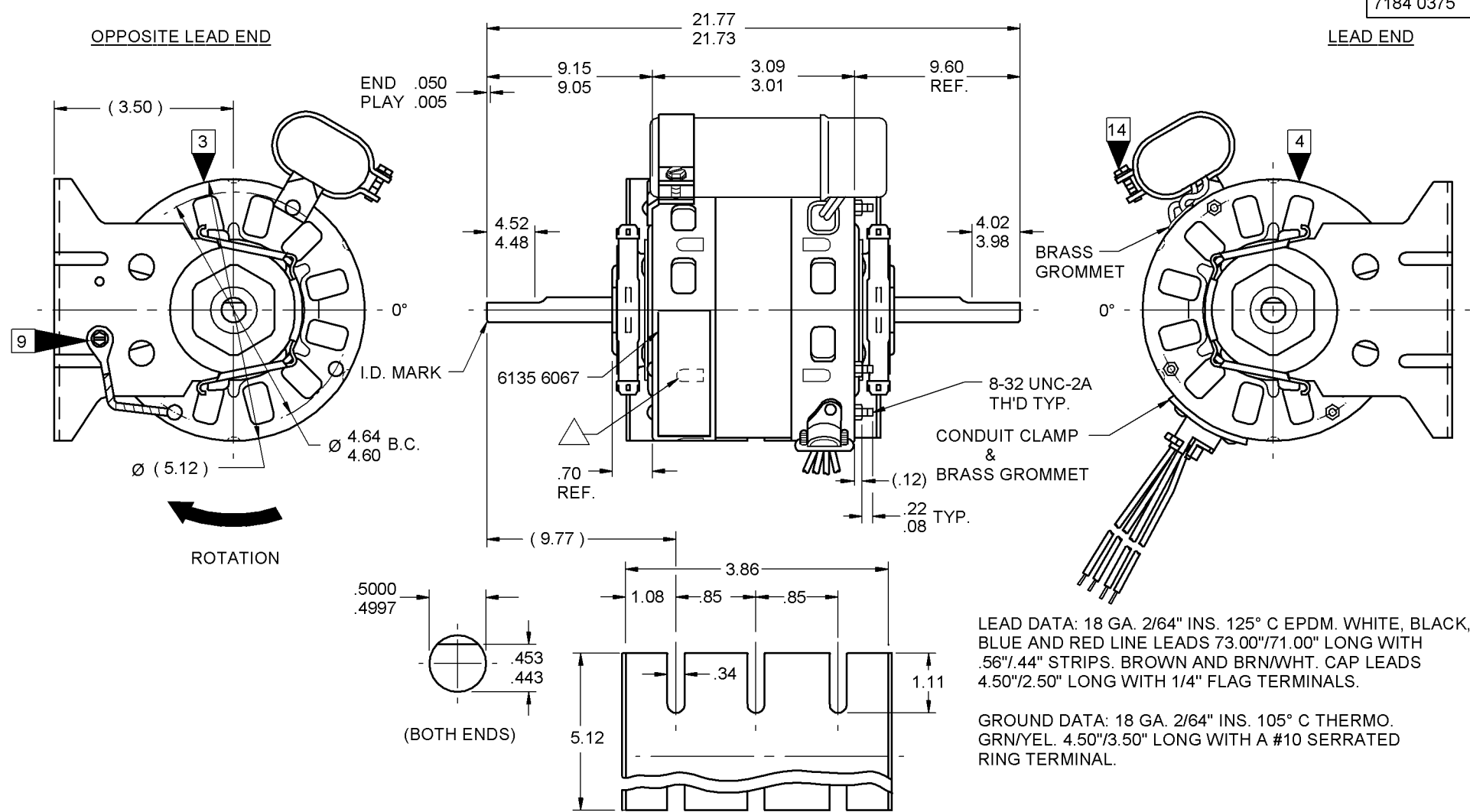
71xx xxxxC

71xx xxxxZ

| PRODUCTION TEST AT IDLE 115 VOLTS 60 HZ | | MOTOR SPEED | PERFORMANCE TEST 115 VOLTS 60 HZ 1 PH 1/12 HP CAP. 6 MFD 370 VAC | | | | | | | | | | |
|--|-------------|-------------|--|------|------|-------|--------|------|------|-------|--------|------|-------|
| AMP | WATT | | IDLE | | | | LOADED | | | | LOCKED | | BREAK |
| | | | RPM | AMP | WATT | OZ/IN | RPM | AMP | WATT | OZ/IN | AMP | WATT | OZ/IN |
| 1.27 — 1.04 | 88.0 — 72.0 | HIGH | 1768 | 1.15 | 80 | 74 | 1375 | 1.62 | 174 | 46 | 2.38 | 262 | 81.0 |
| .36 — .30 | 40.7 — 33.3 | MED. | 1752 | .33 | 28 | 28 | 1375 | .65 | 68 | 17 | 1.04 | 110 | 32 |
| .29 — .23 | 17.6 — 14.4 | LOW | 1724 | .19 | 16 | 12 | 1375 | .35 | 36 | 9 | .57 | 57 | 15 |

HI-POT TEST 2000 VOLTS
MAX LEAKAGE CURRENT 5 mA

7184 0375 MA



7184 0375 = MADE IN U.S.A.
7184 0375R = ASSEMBLED IN MEXICO

FASCO FASCO INDUSTRIES, INC. MOTOR DIVISION

V. 115-127 HZ 60 PH 1 AO ROT
HP 1/12 AMP 1.4 CAP 6 MFD 370 VAC
RPM 1375 (3 SPD) 40°C AMB NO. 7184-0375
TYPE U184B1 INS CL B

MODEL D1055

DATE/BAR CODE AREA PER 8882 6003

SAFETY WARNING
THIS MOTOR MUST BE GROUNDED IN ACCORDANCE WITH LOCAL OR NATIONAL ELECTRICAL CODES TO PREVENT POSSIBLE INJURY DUE TO ELECTRICAL SHOCK

BRN — CAPACITOR
BRN/WHT — LINE
WH — LINE
BLK-HI — LINE
BLU-MED — LINE
RED-LO — LINE

6135 6067,R REV. 1

SPECIAL INSTRUCTIONS: FLATS TO BE PARALLEL WITHIN ±20°. SHAFT IS BONDERIZED. ROTOR IS RUSTPROOFED. LANCE MUST BE COMPLETELY COVERED BY NAMEPLATE. PAMPHLET PACKED WITH MOTOR.

MOTORS PACKED MAX. PER SKID: PALLET PACK, 50 CARTON PACK, TRAY PACK.

CUSTOMER: FASCO DISTRIBUTING CO.

PART NUMBER: D1055

APPLICATION: DIST. SALES
FINISH COLOR: GRAY
MOTOR WEIGHT: LBS.
ENVIRONMENT: WET
INSULATION CLASS: B

MOTOR TYPE: P.S.C.

MOTOR NUMBER: 7184 0375 R

REV. 4

| | | | | | | | | |
|----|----|----|---|----|----|---|---|---|
| B | LA | FR | A | S | C | E | B | A |
| 00 | 84 | 12 | V | 12 | AW | 7 | 8 | 0 |

LOCATE EDGE OF NAMEPLATE .05 FROM EDGE OF OPP. LEAD END COVER TO READ RIGHT FROM LEAD END OF MOTOR CENTER AT 40° CCWLE.

SIZE 3.50 X 1.00

If Printed, this is an Uncontrolled Document