

PRODUCT INFORMATION PACKET

FASCO®

Model No: D2851
Catalog No: D2851

OEM Replacement Motor, 1-3/4 HP, 1 Ph, 60 Hz, 208-230/460 V, 1125/950 RPM, 1 Speed, 48 Frame, OAO



Regal and Fasco are trademarks of Regal Rexnord Corporation or one of its affiliated companies.
©2022 Regal Rexnord Corporation, All Rights Reserved. MC017097E

RegalRexnord



Nameplate Specifications

Output HP	1-3/4 Hp	Output KW	0.75 kW
Frequency	60 Hz	Voltage	208-230/460 V
Current	3.95/2.10 A	Speed	1125/950 rpm
Service Factor	1	Phase	1
Duty	Continuous Air Over	Insulation Class	B
Frame	48	Enclosure	Open Air Over
Thermal Protection	Thermally Protected	Ambient Temperature	65 °C
UL	Recognized	CSA	Y
CE	N	Number of Speeds	1

Technical Specifications

Electrical Type	Permanent Split Capacitor	Poles	6
Rotation	Counterclockwise	Mounting	Lug
Motor Orientation	Hor	Drive End Bearing	Ball
Opp Drive End Bearing	Ball	Frame Material	Rolled Steel
Shaft Type	Keyed	Overall Length	10.46 in
Frame Length	6.07 in	Shaft Diameter	0.620 in
Shaft Extension	3.25 in	Thru-bolts Extension	N/R in
Connection Drawing	NP24X350275	Outline Drawing	5KCP39UFWD73S

This is an uncontrolled document once printed or downloaded and is subject to change without notice. Date Created:11/29/2022

4

3

2

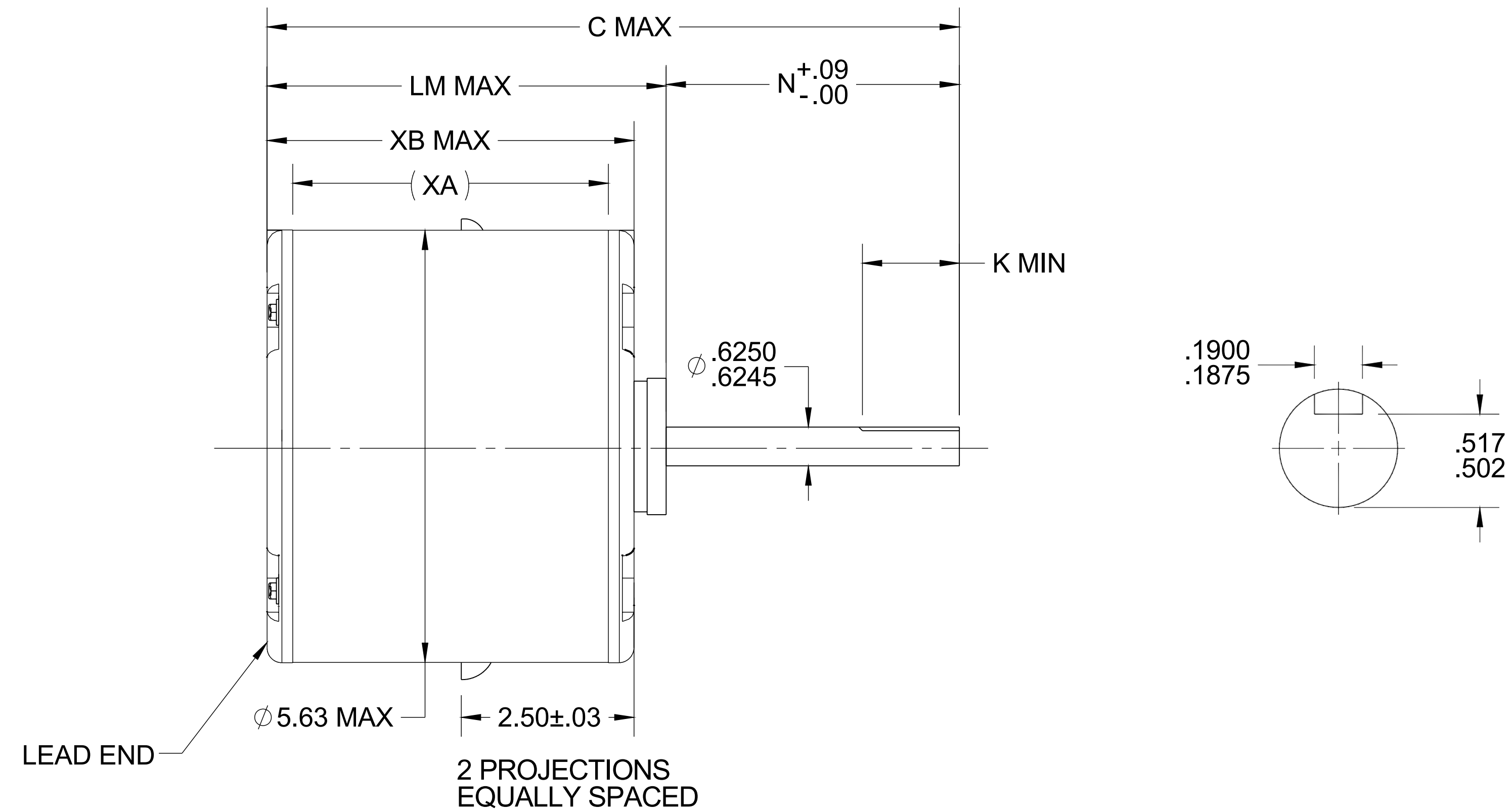
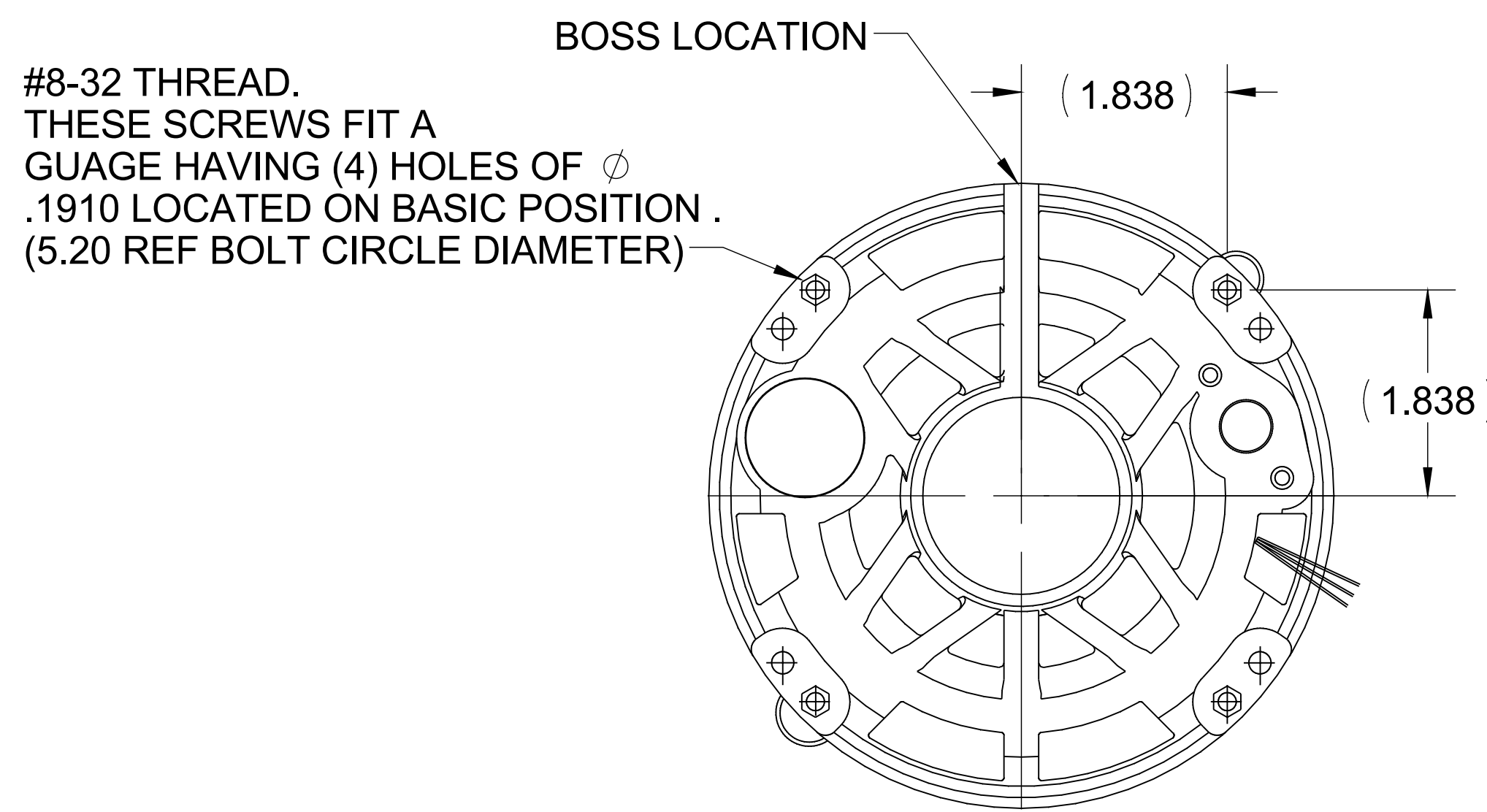
1

S.NO	CONNECTION	COLOR	EXIT TYPE	EXIT LOC (VIEWING LE)	GAGE	MATERIAL	WALL THK.	LENGTH	TERMINATION
1	COMMON LEAD	PURPLE	E/S LEAD HOLE	3:20	18	VULKENE	2/64	97.00	.25 SQC
2	CAPACITOR LEAD	BROWN	E/S LEAD HOLE	3:20	18	VULKENE	2/64	97.00	.25 SQC
3	DUAL VOLTAGE LEAD	BLUE	E/S LEAD HOLE	3:20	18	VULKENE	2/64	97.00	.25 SQC
4	DUAL VOLTAGE LEAD	BLACK	E/S LEAD HOLE	3:20	18	VULKENE	2/64	97.00	.25 SQC
5	DUAL VOLTAGE LEAD	RED	E/S LEAD HOLE	3:20	18	VULKENE	2/64	97.00	.25 SQC
6	DUAL VOLTAGE LEAD	ORANGE	E/S LEAD HOLE	3:20	18	VULKENE	2/64	97.00	.25 SQC

NAMEPLATE DATA	
MODEL	5KCP39UFWD73S
CUST. P/N	D2851
HP	1-3/4
RPM	1125/950
VOLTS	208-230/460
HZ	60/50
SPEEDS	1
AMPS	3.95/2.10
CAP. REQ'D-D1	25.0 µfd/370 Volts
CAP. REQ'D-D2	N/R
CONN.DRW#	NP24X350275
ROTATION	CCW (VIEWED FROM LE)

B

B



A

A

NOTE:

- 1) DIMENSIONS SHOWN ARE NOMINAL UNLESS OTHERWISE SPECIFIED.
- 2) NAME PLATE LABEL LOCATION : 90° -NEAR OPP LEAD END - READ FROM LE.

	.14	-
	XC	XD
10.46	3.25	1.34
C	N	K
	7.31	6.07
	LM	XA
		6.73
		XB

DRAWING REVISION F		REVISION BY SN	DATE 08/27/2015	TOLERANCES UNLESS OTHERWISE SPECIFIED: DEC. INCH mm ANGLE .X ±0.1 [±2.5] ±7' 30" .XX ±0.03 [±0.76] .XXX ±0.005 [±0.127] .XXXX ±0.0005 [±0.0127]		DRAWN BY MVG	Regal Beloit America, Inc.
ECO-0084148		APPROVED BY KEP	DATE 08/27/2015	REMOVE BURRS & BREAK SHARP EDGES: .003/.015 [.076/.381] CORNER FILLETS: .02 [.51] MACHINED SURFACES: 200 INCH mm 5.1 mm SHOWN IN [BRACKETS]		DATE 07/17/2014	
ECO DESCRIPTION UPDATED AS PER ECO-0084148		COPYRIGHT REGAL BELOIT AMERICA, INC. ALL RIGHTS RESERVED. PROPRIETARY AND CONFIDENTIAL INFORMATION - THIS DOCUMENT IS THE PROPERTY OF REGAL BELOIT AMERICA, INC. ("OWNER") AND CONTAINS OWNER'S PROPRIETARY INFORMATION. ANY PERSON, CORPORATION OR OTHER FIRM RECEIVING IT IS DEEMED, BY RECEIVING IT, TO AGREE THAT IT, AND/OR ANY PART OF IT, SHALL NOT BE DISCLOSED TO ANY PERSON, CORPORATION OR OTHER ENTITY, DUPLICATED, AND/OR USED, EXCEPT AS EXPRESSLY APPROVED IN WRITING IN ADVANCE BY OWNER. THIS DOCUMENT SHALL BE RETURNED TO OWNER UPON REQUEST. IT MAY BE SUBJECT TO CERTAIN RESTRICTIONS UNDER APPLICABLE EXPORT CONTROL LAWS AND REGULATIONS.		DATE 07/17/2014		APPROVED BY MVN	
VENTILATION SYSTEM				REFERENCE		DESCRIPTION OUTLINE (CUSTOMER NAME : FASCO IND)	
SHELL VENTS	CLOSED			THIRD ANGLE PROJECTION		MATERIAL	PROCESS/FINISH
ENDSHIELD (OPP.LEAD END)	OPEN			SIZE B		DRAWING NUMBER 5KCP39UFWD73S	SHEET 1 OF 1
ENDSHIELD (LEAD END)	OPEN						

4

3

2

1

COPYRIGHT REGAL BELOIT AMERICA, INC. ALL RIGHTS RESERVED.
 PROPRIETARY AND CONFIDENTIAL INFORMATION - THIS DOCUMENT IS THE PROPERTY OF
 REGAL BELOIT AMERICA, INC. ("OWNER") AND CONTAINS OWNER'S PROPRIETARY
 INFORMATION. ANY PERSON, CORPORATION OR OTHER FIRM RECEIVING IT IS DEEMED,
 BY RECEIVING IT, TO AGREE THAT IT, AND/OR ANY PART OF IT, SHALL NOT BE DISCLOSED
 TO ANY PERSON, CORPORATION OR OTHER ENTITY, DUPLICATED, AND/OR USED, EXCEPT
 AS EXPRESSLY APPROVED IN WRITING IN ADVANCE BY OWNER. THIS DOCUMENT SHALL
 BE RETURNED TO OWNER UPON REQUEST. IT MAY BE SUBJECT TO CERTAIN
 RESTRICTIONS UNDER APPLICABLE EXPORT CONTROL LAWS AND REGULATIONS.

DRAWING REVISION
A

REVISION BY
SB

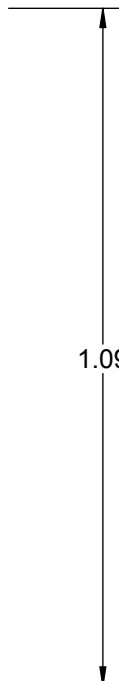
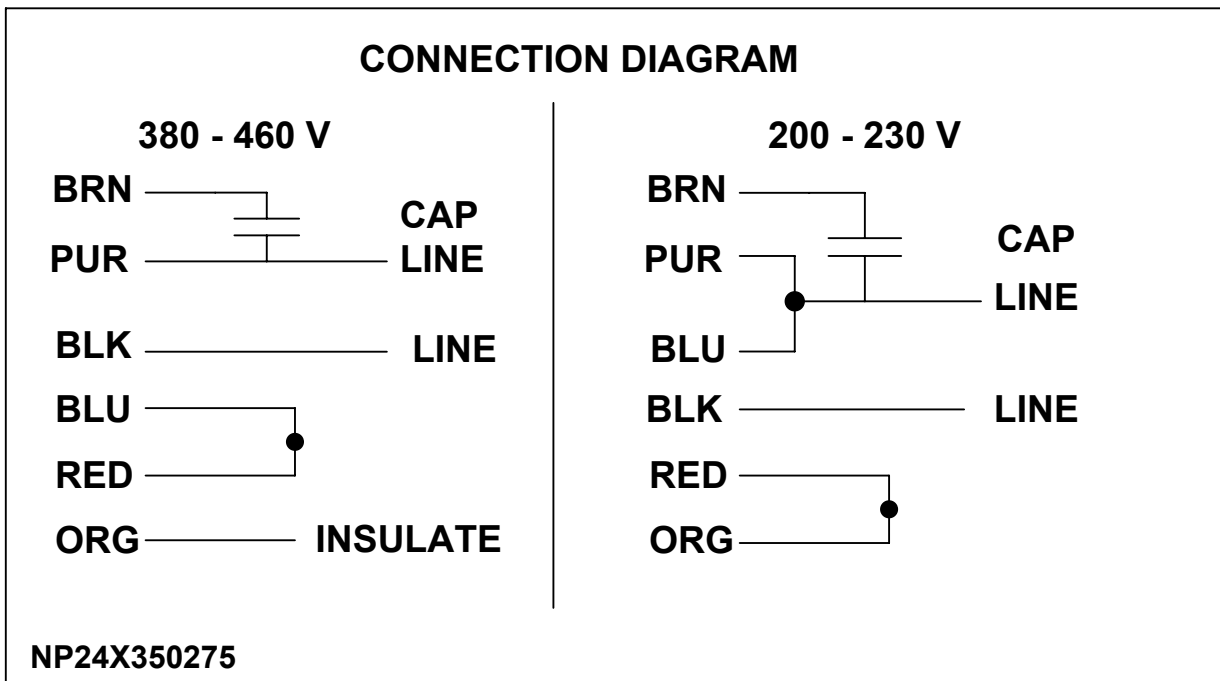
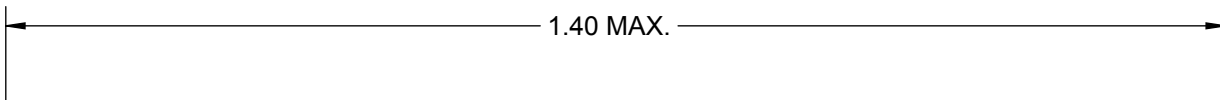
DATE
1/12/2014

ECO
ECO-0045207

APPROVED BY
SKK

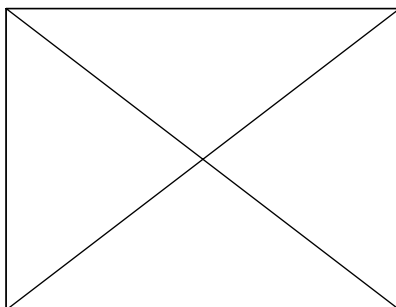
DATE
1/12/2014

ECO DESCRIPTION
NEW CONNECTION DRAWING



NOTES:

1. TYPE FACE: COLORS OR NUMBERS DENOTING LEAD IDENTIFICATION AND N.P. NUMBER ARE TO BE 18 POINT NEWS GOTHIC CONDENSED. OTHER INFORMATION SHOULD BE 18 POINT IF SPACE ALLOWS, OTHERWISE USE 14 POINT.
2. MATERIALS: 4 MIL WHITE VINYL ADHESIVE STOCK RBC SPEC A50FG41-S1
BLACK INK RBC SPEC A50FM48
3. THE BOX LINES AND DIMENSIONS REPRESENT THE SIZE OF THE TAPE TO BE USED. DO NOT INCLUDE THESE IN STAMP FORMAT.



DRAWN BY SB	Regal Beloit America, Inc.		
DATE 1/12/2014		DESCRIPTION CONN DIAGRAM-NAMEPLATE	
APPROVED BY SKK	MATERIAL SEE NOTE - 2		
DATE 1/12/2014	SIZE A	DRAWING NUMBER NP24X350275	SHEET 1 OF 1
PROCESS/FINISH			