

# PRODUCT INFORMATION PACKET

FASCO®

Model No: D725  
Catalog No: D725

Fan and Blower Motor, 1/4-1/6-1/8 HP, 1 Ph, 60 Hz, 208-230 V, 1075 RPM, 3 Speed, 48 Frame, ODP



Regal and Fasco are trademarks of Regal Rexnord Corporation or one of its affiliated companies.  
©2022 Regal Rexnord Corporation, All Rights Reserved. MC017097E

RegalRexnord



**Nameplate Specifications**

Output HP	1/4-1/6-1/8 Hp	Output KW	0.19 kW
Frequency	60 Hz	Voltage	208-230 V
Current	2.2-1.5-1.1 A	Speed	1075 rpm
Service Factor	1	Phase	1
Duty	Continuous	Insulation Class	B
Frame	48	Enclosure	Open Drip Proof
Thermal Protection	Automatic	Ambient Temperature	40 °C
UL	Recognized	CSA	Y
CE	N	Number of Speeds	3

**Technical Specifications**

Electrical Type	Permanent Split Capacitor	Starting Method	Across The Line
Poles	6	Rotation	Reversible
Mounting	Extended Studs	Drive End Bearing	Sleeve
Opp Drive End Bearing	Sleeve	Frame Material	Rolled Steel
Shaft Type	Double Flat	Frame Length	4.21 in
Shaft Diameter	0.500 in	Shaft Extension	5.94 in
Outline Drawing	8857MVA-A13U		

This is an uncontrolled document once printed or downloaded and is subject to change without notice. Date Created:11/29/2022

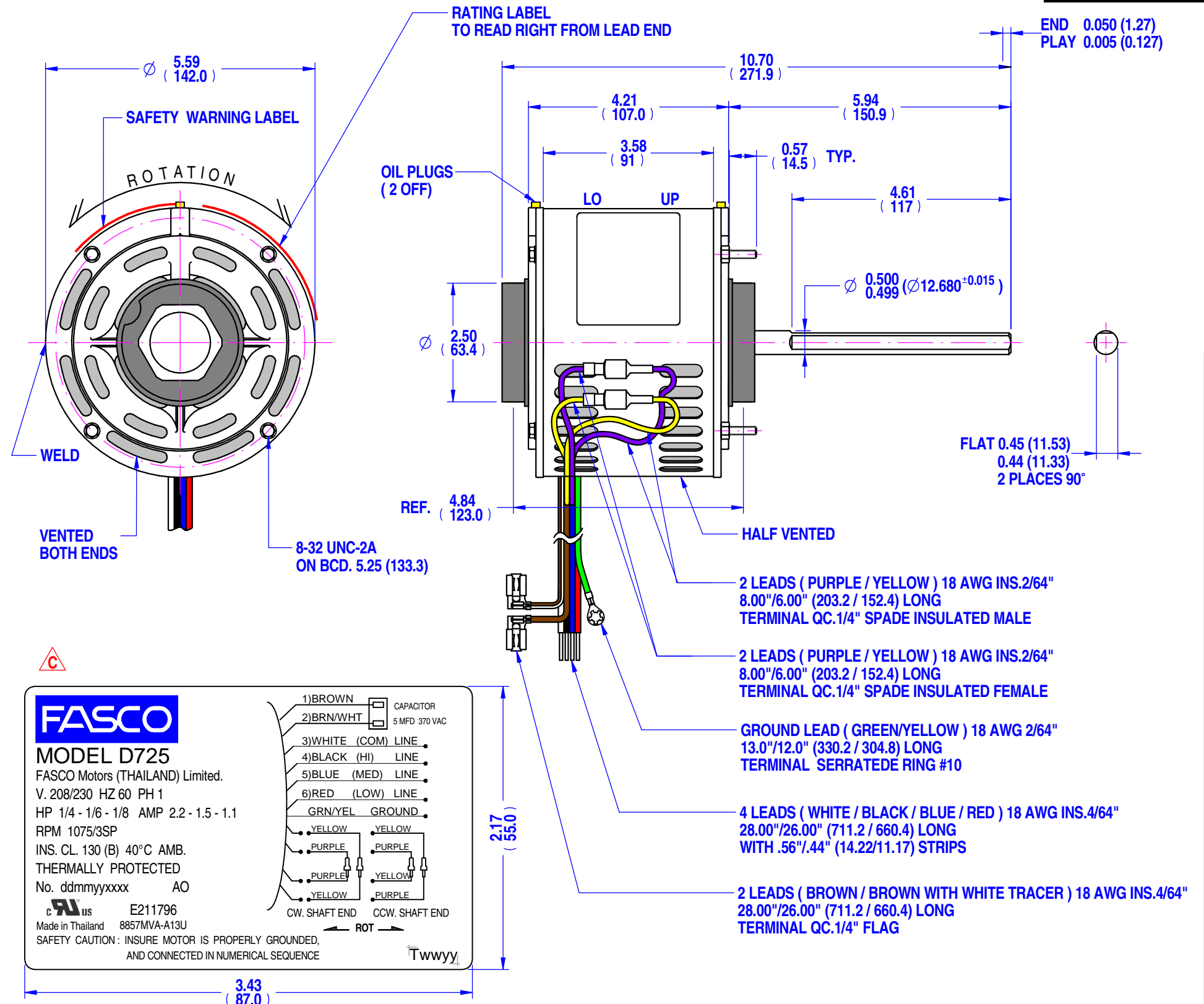
**MOTOR SPECIFICATION**

**8857MVA-A13U**

Q.R. No.	Y004433	CUSTOMER NO.	D725					
CUSTOMER	FASCO USA							
MOTOR RATING	VOLTS	208/230	Hz	60	Ph	1	Duty	S1 AOM
	RPM.	1075/3SP		2.2		AMPS		
	NOM. OUTPUT	255 WATTS (1/4 HP)						
ROTATION	REVERSIBLE							
CAPACITOR	START	-----	μF/V	RUN	5/---	μF/V		
ENCLOSURE	DRIPPROOF							
MOTOR TYPE	PSC	INSULATION CLASS	130 (B)					
THERMAL PROTECTION	AUTO RESET OVERLOAD							
APPLICATION	FAN AXIAL - SHAFT HORIZONTAL							
BEARING D.E.	SLEEVE		LUBRICATION	PERMAWICK OPERA. TEMP -15° ~90° C				
BEARING N.D.E.	SLEEVE							
SUPPLY LEAD	AS SHOWN							
EARTH PROVISION	SUPPLIED							
BASIC BUILD SPECIFICATION	305-881-13	PAINT/ COLOUR	PC GREY PLAIN E/SHIELDS					
PERFORMANCE SPECIFICATION	SP88017-01							
CONNECTION DIAGRAM	AS SHOWN	RATING LABEL	AS SHOWN					

**FINAL INSPECTED MOTORS MUST COMPLY WITH ELECTRIC MOTOR VIBRATION SPECIFICATION (ES049)**

THIRD ANGLE PROJECTION.



NOTE : DIMENSIONS SHOWN INCH (mm.)  
STK - 32

**SPECIAL REQUIREMENTS:**

- 1)\_CAPACITOR SUPPLIED BY CUSTOMER.
- 2)\_DO NOT PACK MOTOR IN PLASTIC BAG.
- 3)\_PUSH AND PULL SHAFT TO CENTRALIZE WASHER SLINGER.
- 4)\_STAMP FDC PART NUMBER FDC-D725 ON THE BULK PACK.
- 5)\_ADD SAFETY BOOK P/N 398-063-02 IN ALL INDIVIDUAL CARTON.

**UNLESS OTHERWISE SPECIFIED : DIMENSIONS ARE IN MM. TOLERANCES**

DECIMALS	ANGULAR
.X ± 1.0	± 30'
.XX ± 0.1	

THIS DRAWING REMAINS THE PROPERTY OF FASCO MOTORS AND MAY NOT BE USED, COPIED OR ISSUED WITHOUT WRITTEN PERMISSION FROM FASCO MOTORS

MOTOR WEIGHT	5.5 kg.	
DRAWN	Pipat	11/06/2013
CHECKED	Pipat	24/08/2017
RELEASED	Sutthipant	24/08/2017
SCALE	N.T.S.	

**FASCO THAILAND**  
29/7-8 MOO 3, BANGKRUAY - SAINOI Rd.,  
BANGKRANG, MUANG NONTABURI DISTRICT,  
NONTABURI 11000 THAILAND

FRAME	MOTOR		
STATUS	R		
SHEET	S017:8857V-225-MCX:FDC		REVISION
A3	DWG. NO.	8857MVA-A13U	C