

PRODUCT INFORMATION PACKET



Model No: DB4505
Catalog No: DB4505

Fan Coil & Air Conditioner Motor, 1/5 HP, 1 Ph, 60 Hz, 230 V, 1500 RPM, 3 Speed, 42 Frame, OAO



Regal and Century are trademarks of Regal Rexnord Corporation or one of its affiliated companies.
©2022 Regal Rexnord Corporation, All Rights Reserved. MC017097E





Nameplate Specifications

| | | | |
|--------------------|------------|---------------------|---------------|
| Output HP | 1/5 Hp | Output KW | 0.15 kW |
| Frequency | 60 Hz | Voltage | 230 V |
| Current | 1.5 A | Speed | 1500 rpm |
| Service Factor | 1 | Phase | 1 |
| Duty | Air Over | Insulation Class | A |
| Frame | 42Y | Enclosure | Open Air Over |
| Thermal Protection | Automatic | Ambient Temperature | 40 °C |
| UL | Recognized | CSA | Y |
| CE | N | Number of Speeds | 3 |

Technical Specifications

| | | | |
|--------------------|---------------------------|-----------------------|---------------------------|
| Electrical Type | Permanent Split Capacitor | Starting Method | Across The Line |
| Poles | 4 | Rotation | Counterclockwise Lead End |
| Mounting | Resilient Base | Motor Orientation | Horizontal |
| Drive End Bearing | Sleeve | Opp Drive End Bearing | Sleeve |
| Frame Material | Na | Shaft Type | Flat |
| Overall Length | 22.00 in | Shaft Diameter | 0.500 in |
| Shaft Extension | 9.3X.5X9.3 in | | |
| Connection Drawing | 7552A86F01 | Outline Drawing | 11927-020 |

This is an uncontrolled document once printed or downloaded and is subject to change without notice. Date Created:11/28/2022

4

3

2

1

GENERAL INFORMATION:

SHAFT RUNOUT: .001[.03] T.I.R. PER INCH LENGTH OF EXTENSION

END PLAY: .010[.25] TO .063[1.60]

BEARINGS: SLEEVE

MOUNTING POSITION: HORIZONTAL

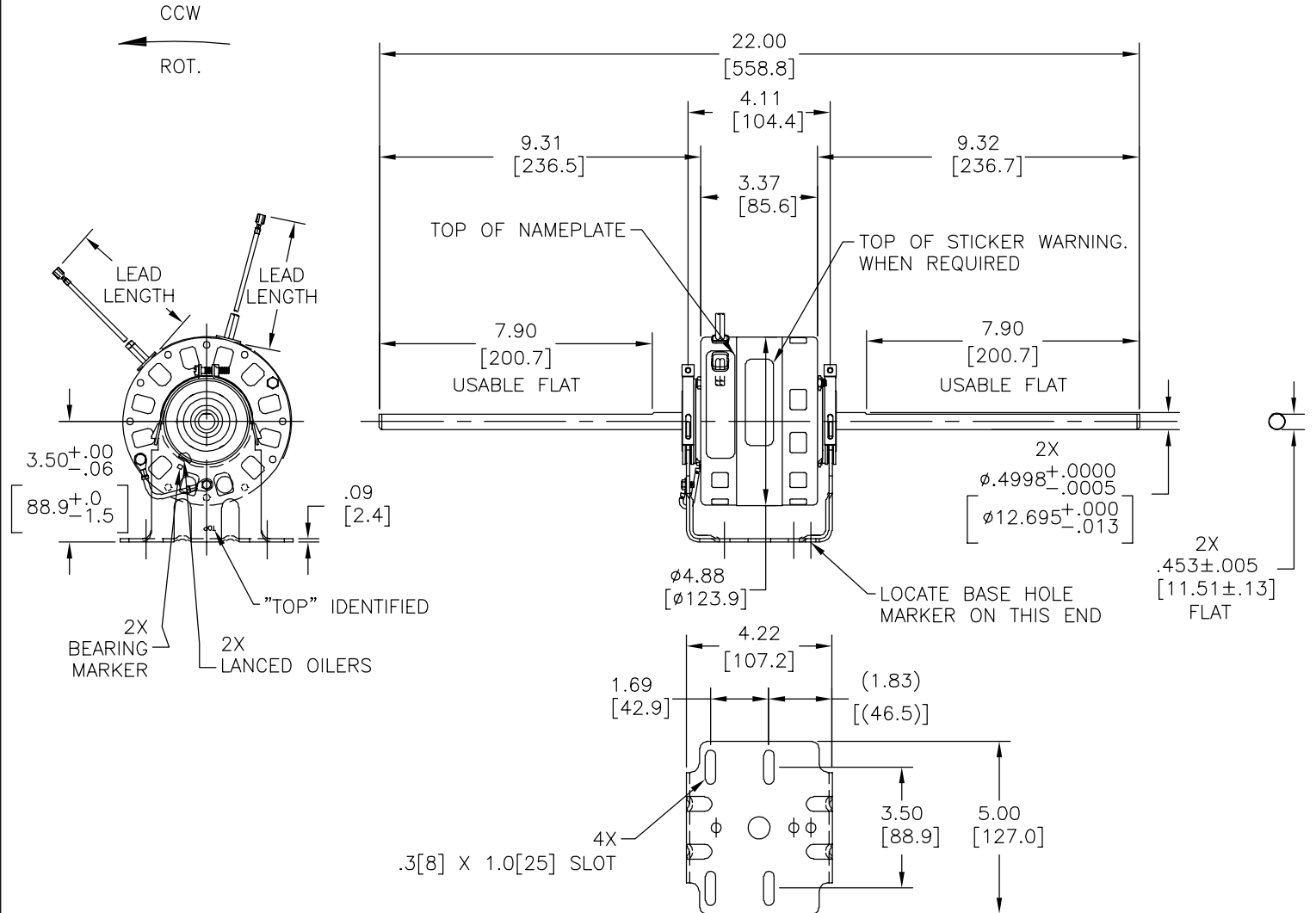
ELECTRICAL DATA:

OVERLOAD PROTECTOR: AUTOMATIC RESET (T.I. 7AM 034)

LEADS: NO. 18 GA., .03[.8] THK., 125°C INSULATION

GROUND LEAD: NO. 18 GA., .03[.8] THK., GREEN INSULATION

| | | | | | |
|-----|---------|--------|------------|--------|------------|
| REV | ECO | REV BY | DATE | APPD | DATE |
| D | 0026394 | H.ZHOU | 05-29-2012 | B.SHEN | 05-29-2012 |



| GREEN (GRD) | CONNECTED TO BASE | #8 EYELET |
|-------------|----------------------|--------------------------|
| BROWN | 23.0/25.0 [584/635] | .25[6.4] FEMALE SPADE |
| BROWN | 23.0/25.0 [584/635] | .25[6.4] FEMALE SPADE |
| RED | 38.5/41.5 [978/1054] | .25[6.4] FEMALE SPADE |
| BLUE | 38.5/41.5 [978/1054] | .25[6.4] FEMALE SPADE |
| BLACK | 38.5/41.5 [978/1054] | .25[6.4] FEMALE SPADE |
| PURPLE | 38.5/41.5 [978/1054] | .25[6.4] FEMALE SPADE |
| COLOR | LENGTH | TERMINAL OR STRIP LENGTH |

| | |
|------------------|------|
| MAIN FRAME - OLE | OPEN |
| END FRAME - OLE | OPEN |
| MAIN FRAME - LE | OPEN |
| END FRAME - LE | OPEN |

| | |
|----------|----------------------|
| CUSTOMER | DISTRIBUTION SERVICE |
|----------|----------------------|

| NAMEPLATE DATA: | EXTERNAL CONNECTION DIAGRAM |
|--|-----------------------------|
| MODEL NO.: F42A14A01 CUST. P/N: DB4505 HP: 1/5 ROT.: CCWLE RPM: 1500-3 SPD TYPE: FLL FRAME: 42Y VOLTS: 230 PH: 1 AMPS: 1.5 HZ: 60 INS.: A AMB.: 40° C DUTY: AIR COVER CAP.: 5 MFD-370V ENCL: UL LOGO CSA LOGO THERMALLY PROTECTED TYPE C | |

| | | | | |
|-----------------------|-------------------------|-----------------|-----------------------------|------------------------------|
| PERFORMANCE CURVE NO. | TORQUE @1075 RPM (25°C) | APPROVED SAMPLE | UL COMPONENT | CSA |
| 669335 | 11.0 OZ. FT. | PSB 7313 | FILE # CCN # FILE # CLASS # | E46412 PRGY2 LR43341 4211-01 |

GEOMETRIC CHARACTERISTICS & SYMBOLS

- ▮ FLATNESS
- STRAIGHTNESS
- ∠ ANGULARITY
- ⊥ PERPENDICULARITY (SQUARENESS)
- // PARALLELISM
- ROUNDNESS (CIRCULARITY)
- ⊘ CYLINDRICITY
- △ PROFILE OF ANY SURFACE
- ∩ PROFILE OF ANY LINE
- ↗ RUNOUT
- ⊕ TRUE POSITION
- ◎ CONCENTRICITY
- ≡ SYMMETRY

ASME Y14.5M 1994

REGAL-BELOIT CORPORATION (RBC) PROVIDES TECHNICAL ASSISTANCE TO OUR CUSTOMERS IN SEVERAL AREAS. SINCE RBC DOES NOT RECEIVE ALL DATA CONCERNING THE USE AND APPLICATION OF THE MOTOR, THE SUITABILITY OF THE MOTOR FOR THE APPLICATION MUST BE DETERMINED BY THE CUSTOMER.

DIMENSIONS WITHOUT TOLERANCES ARE FOR REFERENCE ONLY.

DR BY: RUPERT 02-19-1996

APPD:

THIRD ANGLE PROJECTION

EDS DATE 11-11-2011

FORMAT REV H

CONFIDENTIAL: THIS DRAWING AND ITS INFORMATION ARE THE EXCLUSIVE AND CONFIDENTIAL PROPERTY OF REGAL-BELOIT CORPORATION AND ARE NOT TO BE DISCLOSED, DUPLICATED, DISTRIBUTED OR OTHERWISE USED WITHOUT THE WRITTEN CONSENT OF REGAL-BELOIT CORPORATION. -ALL RIGHTS RESERVED.

REGAL REGAL-BELOIT CORPORATION

DESCRIPTION: OUTLINE

SIZE: C DWG NO: 11927-020

SCALE: NONE SHEET: 1

4

3

2

1

4

3

2

1

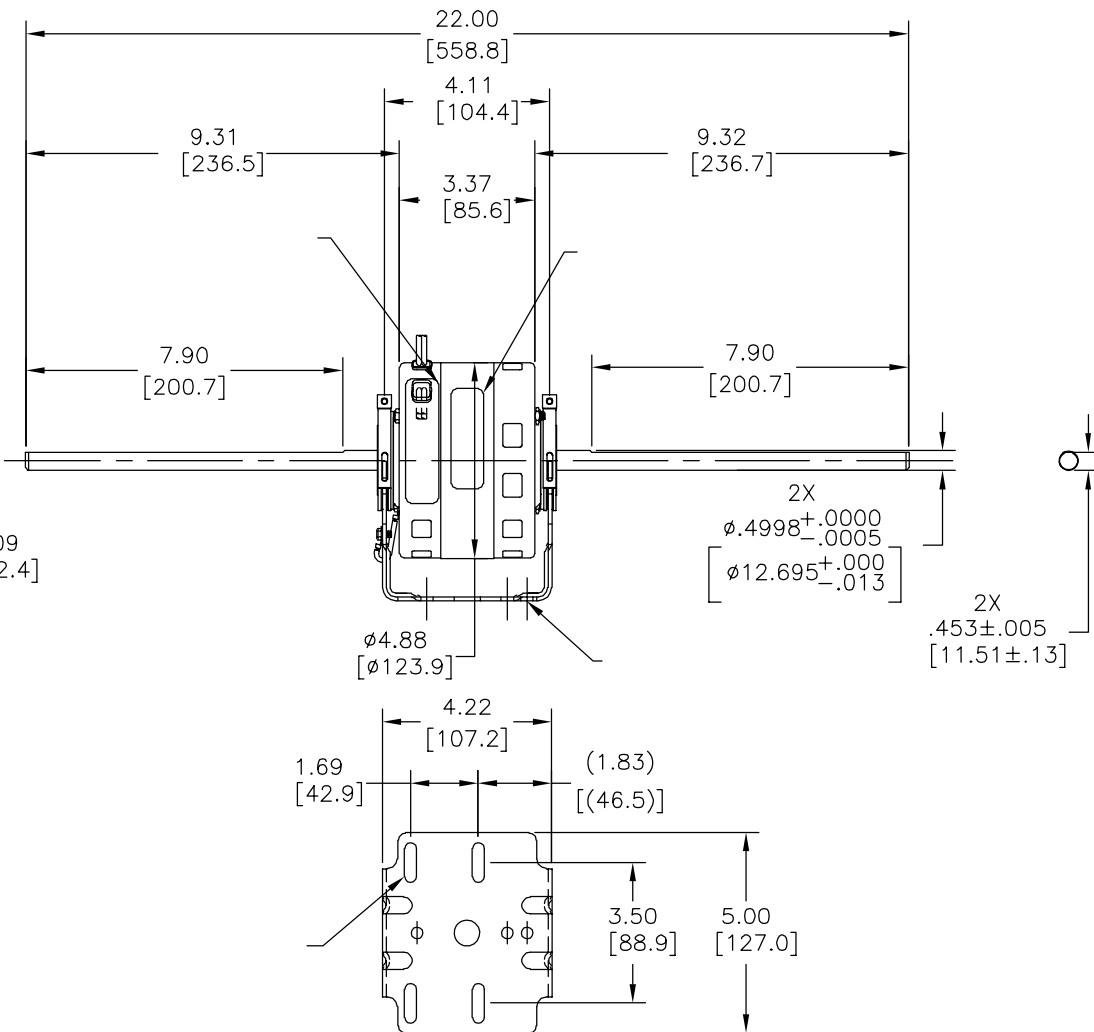
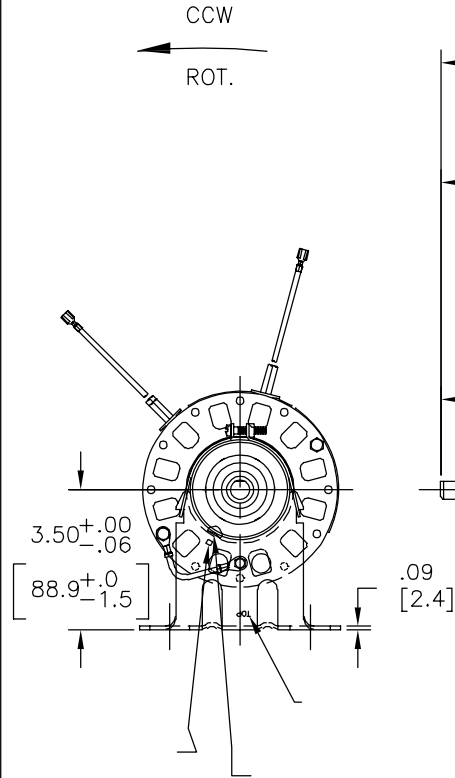
| | | | | | |
|-----------|---------|---------------|------------|---------------|------------|
| REVISION: | ECO | REVISADO POR: | FECHA: | APROBADO POR: | FECHA: |
| D | 0026394 | H.ZHOU | 05-29-2012 | B.SHEN | 05-29-2012 |

INFORMACION GENERAL:

OSCILACION DE FLECHA: -
 JUEGO AXIAL: -
 BALEROS: -
 POSICION DEL MONTAJE: -

INFORMACION ELECTRICA:

PROTECTOR DE SOBRECARGA: -
 CABLES: -
 CABLE DE TIERRA: -



| | | |
|---|------------|---|
| | 23.0/25.0 | |
| | [584/635] | |
| | 23.0/25.0 | |
| | [584/635] | |
| - | 38.5/41.5 | - |
| | [978/1054] | |
| - | 38.5/41.5 | - |
| | [978/1054] | |
| - | 38.5/41.5 | - |
| | [978/1054] | |
| - | 38.5/41.5 | - |
| | [978/1054] | |

| | | |
|-------|----------|---------------------------------|
| COLOR | LONGITUD | TERMINAL O LONGITUD DE DESFORRE |
| | | |

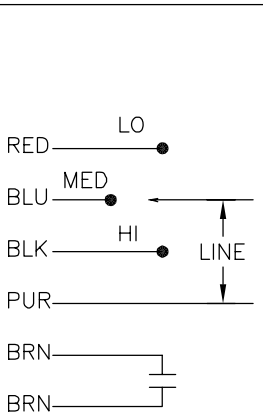
| | |
|---------------|---|
| CARCASA - LOC | - |
| TAPA - LOC | - |
| CARCASA - LC | - |
| TAPA - LC | - |

| | |
|---------|----------------------|
| CLIENTE | DISTRIBUTION SERVICE |
|---------|----------------------|

INFORMACION DE ETIQUETA:

MODEL NO.: F42A14A01
 CUST. P/N: DB4505
 HP: 1/5
 ROT.: CCWLE
 RPM: 1500-3 SPD
 TYPE: FLL
 FRAME: 42Y
 VOLTS: 230
 PH: 1
 AMPS: 1.5
 HZ: 60
 INS.: A
 AMB.: 40° C
 DUTY: AIR COVER
 CAP.: 5 MFD-370V
 ENCL:
 UL LOGO
 CSA LOGO
 THERMALLY PROTECTED TYPE C

DIAGRAMA DE CONEXION EXTRNA



| | | | | |
|--------------------------|---------------------------|------------------|----------------|-----------------|
| CURVAS DE FUNCIONAMIENTO | TORSION @ 1075 RPM (25°C) | MUESTRA APROBADA | COMPONENTE UL | CSA |
| 669335 | 11.0 OZ. FT. | PSB 7313 | #ARCHIVO PRGY2 | CLASE # 4211-01 |

CARACTERISTICAS DE GEOMETRIA Y SIMBOLOS
 □ PLANICIDAD
 — RECTITUD
 ∠ ANGULARIDAD
 ⊥ PERPENDICULARIDAD (A ESCUADRA)
 // PARALELISMO
 ○ REDONDEZ (CIRCULARIDAD)
 ∅ CILINDRICIDAD
 △ PERFIL DE CUALQUIER SUPERFICIE
 ∇ PERFIL DE CUALQUIER LINEA
 / VARIACION
 ⊕ POSICION REAL
 ⊙ CONCENTRICIDAD
 = SIMETRIA

A REQUIS. DEL RECEPTOR (RBC) OTRA MANERA SI SE INDICA EN LAS DIMENSIONES. NUESTROS CLIENTES EN VARIAS AREAS, PUEDE QUE RBC NO RECIBAN TODOS LOS DATOS EN RELACION AL USO Y A ANGULO DE PROYECCION DEL MOTOR. LA APLICACION ADECUADA DEL MOTOR DEL RBC DEBE SER DETERMINADA POR EL PULG. 005-011 con 0.1-0.4 FILETEAR ESQUINA EN 0.020 mm 0.5 MAQUINAR SUPERFICIES DIMENSIONES SIN TOLERANCIA SON DE REFERENCIA SOLAMENTE DIMS METRICAS MOSTRADAS [PARENTESIS]

DIBUJADO POR: RUPERT 02-19-1996
 APROBADO POR:
 TERCER ANGULO DE PROYECCION
 CONFIDENCIAL: ESTE DIBUJO Y SU INFORMACION SON PROPIEDAD DE USO EXCLUSIVO Y CONFIDENCIAL DE REGAL-BELOIT CORPORATION. Y NO DEBERAN SER REVELADOS, DUPLICADOS, DISTRIBUIDOS O USARSE DE OTRA MANERA SIN EL CONSENTIMIENTO ESCRITO DE REGAL-BELOIT CORPORATION. -TODOS LOS DERECHOS RESERVADOS.

REGAL REGAL-BELOIT CORPORATION

DESCRIPCION: **OUTLINE**

TAMAÑO: C NUMERO DE DIBUJO: 11927-020

ESCALA: NONE HOJA: 1

4

3

2

1

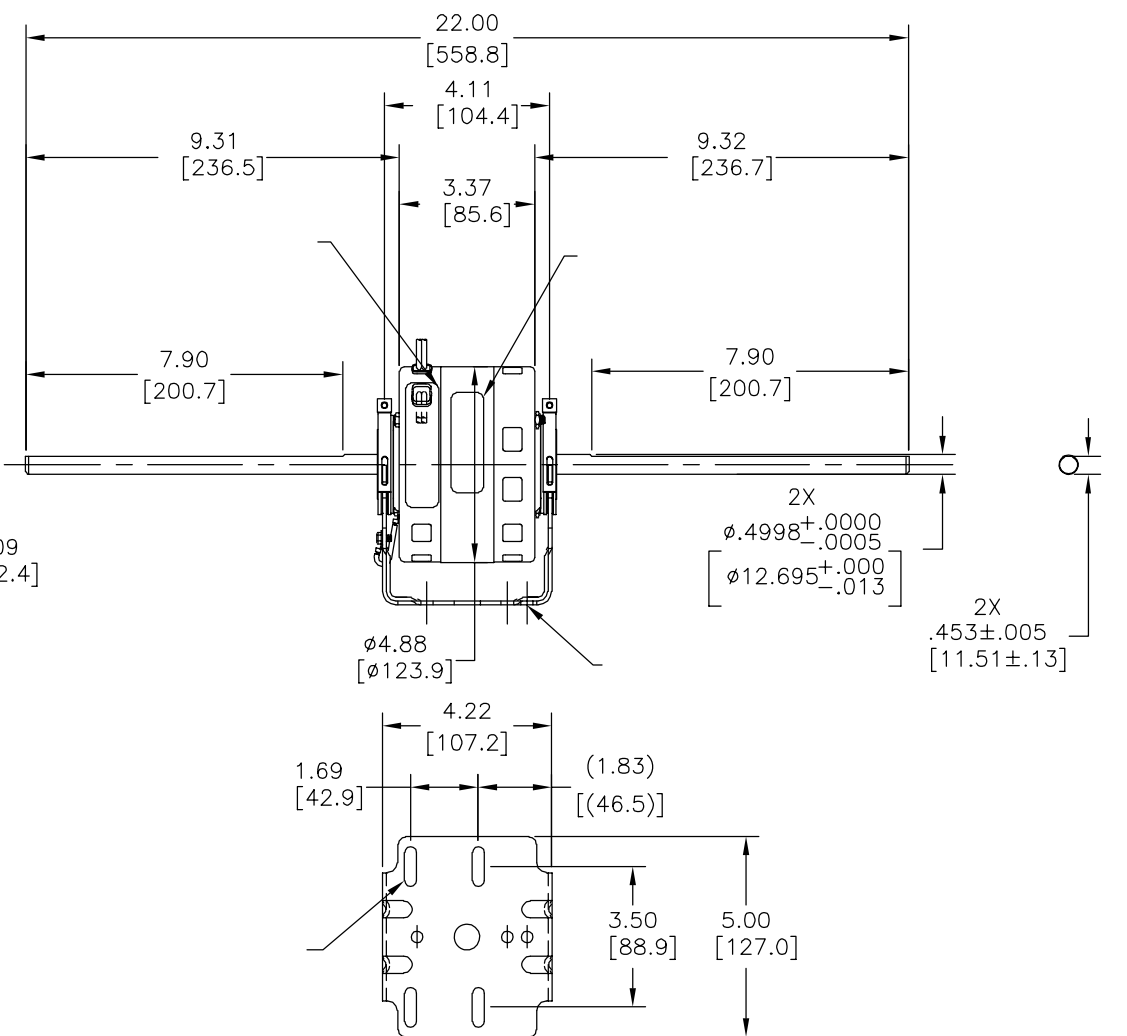
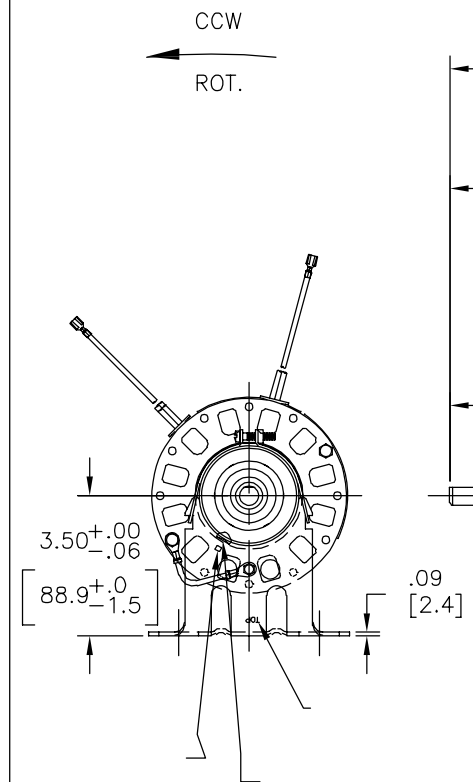
4 3 2 1

| | | | | | |
|----|---------|--------|------------|--------|------------|
| 版本 | ECO | 编制 | 日期 | 批准 | 日期 |
| D | 0026394 | H.ZHOU | 05-29-2012 | B.SHEN | 05-29-2012 |

总技术要求:

轴跳动:
端部窜动量
轴承:
安装位置:

电气数据:
过载保护:
引线:
接地线:



| 铭牌数据 | 外部数据线 |
|---|-------|
| MODEL NO.: F42A14A01 CUST. P/N: DB4505 HP: 1/5 ROT.: CCWLE RPM: 1500-3 SPD TYPE: FLL FRAME: 42Y VOLTS: 230 PH: 1 AMPS: 1.5 HZ: 60 INS.: A AMB.: 40° C DUTY: AIR COVER CAP.: 5 MFD-370V ENCL: UL LOGO CSA LOGO THERMALLY PROTECTED TYPE C | |

| | 23.0/25.0 | |
|----|------------|---------|
| | [584/635] | |
| | 23.0/25.0 | |
| | [584/635] | |
| | 38.5/41.5 | |
| | [978/1054] | |
| | 38.5/41.5 | |
| | [978/1054] | |
| | 38.5/41.5 | |
| | [978/1054] | |
| | 38.5/41.5 | |
| | [978/1054] | |
| 颜色 | 长度 | 端子或剥线长度 |

| | |
|--------|--|
| 无引线端机壳 | |
| 无引线端端盖 | |
| 有引线端机壳 | |
| 有引线端端盖 | |

| | | | | |
|--------|------------------------|----------|--------------|-----------------|
| 性能曲线编号 | 转矩在 @ 1075 RPM (25° C) | 批准样品 | UL部件 | CSA |
| 669335 | 11.0 OZ. FT. | PSB 7313 | 文件号 指南 | 文件号 指南 |
| | | | E46412 PRGY2 | LR43341 4211-01 |

| | |
|--------|--------------------------|
| 形位公差 | REGAL-BELOIT CORPORATION |
| □ 平面度 | (RBC) 02-19-1996 |
| — 直线度 | 02-19-1996 |
| ∠ 倾斜度 | 02-19-1996 |
| ⊥ 垂直度 | 02-19-1996 |
| // 平行度 | 02-19-1996 |
| ○ 圆度 | 02-19-1996 |
| ⊘ 圆柱度 | 02-19-1996 |
| ⊖ 面轮廓度 | 02-19-1996 |
| ⊖ 线轮廓度 | 02-19-1996 |
| ⊖ 圆跳动 | 02-19-1996 |
| ⊖ 位置度 | 02-19-1996 |
| ⊖ 同轴度 | 02-19-1996 |
| ⊖ 对称度 | 02-19-1996 |

| | |
|-------|------------------|
| 表面粗糙度 | ASME Y14.5M 1994 |
| 英制尺寸 | 米制尺寸显示在 [] |

| | | |
|-------|---|---------------------------------|
| 绘图: | RUPERT | 02-19-1996 |
| 批准: | | |
| 第三角投影 | | 图纸格式发布日期 11-11-2011 图纸格式版本 H |
| 机密: | 本图纸及相关信息所有权归REGAL-BELOIT CORPORATION. 未经REGAL-BELOIT CORPORATION书面授权, 不得泄露、复制或传播作其他用途。一版权所有 | |

| | | |
|----|------|--------------------------|
| 名称 | | REGAL-BELOIT CORPORATION |
| 图幅 | | C |
| 图号 | | 11927-020 |
| 比例 | NONE | 页号 1 |

4 3 2 1