

PRODUCT INFORMATION PACKET



Model No: DB6407

Catalog No: DB6407

Fan Coil & Air Conditioner Motor, 1/10,1/15,1/20,1/25 HP, 1 Ph, 60 Hz, 208-230 V, 1050 RPM,
4 Speed, 42 Frame, OAO



Regal and Century are trademarks of Regal Rexnord Corporation or one of its affiliated companies.
©2022 Regal Rexnord Corporation, All Rights Reserved. MC017097E





Nameplate Specifications

Output HP	1/10,1/15,1/20,1/25 Hp	Output KW	0.07 kW
Frequency	60 Hz	Voltage	208-230 V
Current	1.6,0.9,0.8,0.7 A	Speed	1050 rpm
Service Factor	1	Phase	1
Duty	Air Over	Insulation Class	A
Frame	42Y	Enclosure	Open Air Over
Thermal Protection	Automatic	Ambient Temperature	40 °C
UL	Recognized	CSA	Y
CE	N	Number of Speeds	4

Technical Specifications

Electrical Type	Shaded Pole	Starting Method	Across The Line
Poles	6	Rotation	Counterclockwise Lead End
Mounting	Resilient Base	Motor Orientation	Horizontal
Drive End Bearing	Sleeve	Opp Drive End Bearing	Sleeve
Frame Material	Rolled Steel	Shaft Type	Flat
Overall Length	22.00 in	Shaft Diameter	0.500 in
Shaft Extension	9.3 X.5 X9.3 in		
Connection Drawing	263B929F03	Outline Drawing	11927-027-S01

This is an uncontrolled document once printed or downloaded and is subject to change without notice. Date Created:11/28/2022

REV	ECO	REV BY	DATE	APPD	DATE
E	0026394	H.ZHOU	05-29-2012	B.SHEN	05-29-2012

GENERAL INFORMATION:

SHAFT RUNOUT: .001 [.03] T.I.R. PER INCH LENGTH OF EXTENSION

END PLAY: .010 TO .063 [.25 TO 1.60]

BEARINGS: SLEEVE

MOUNTING POSITION: HORIZONTAL

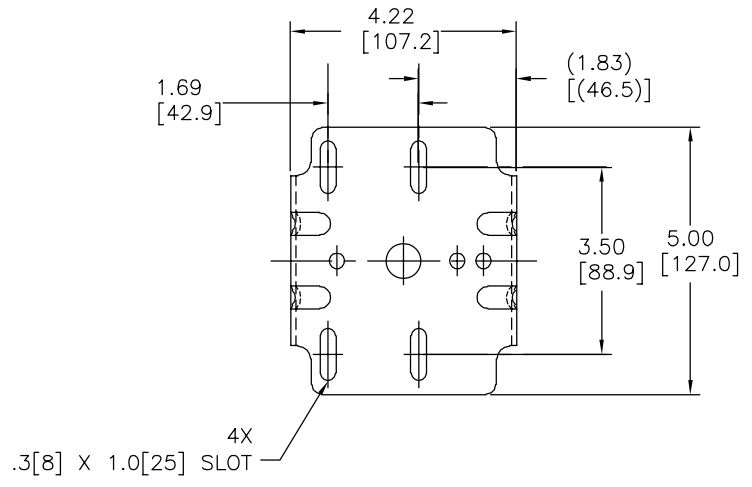
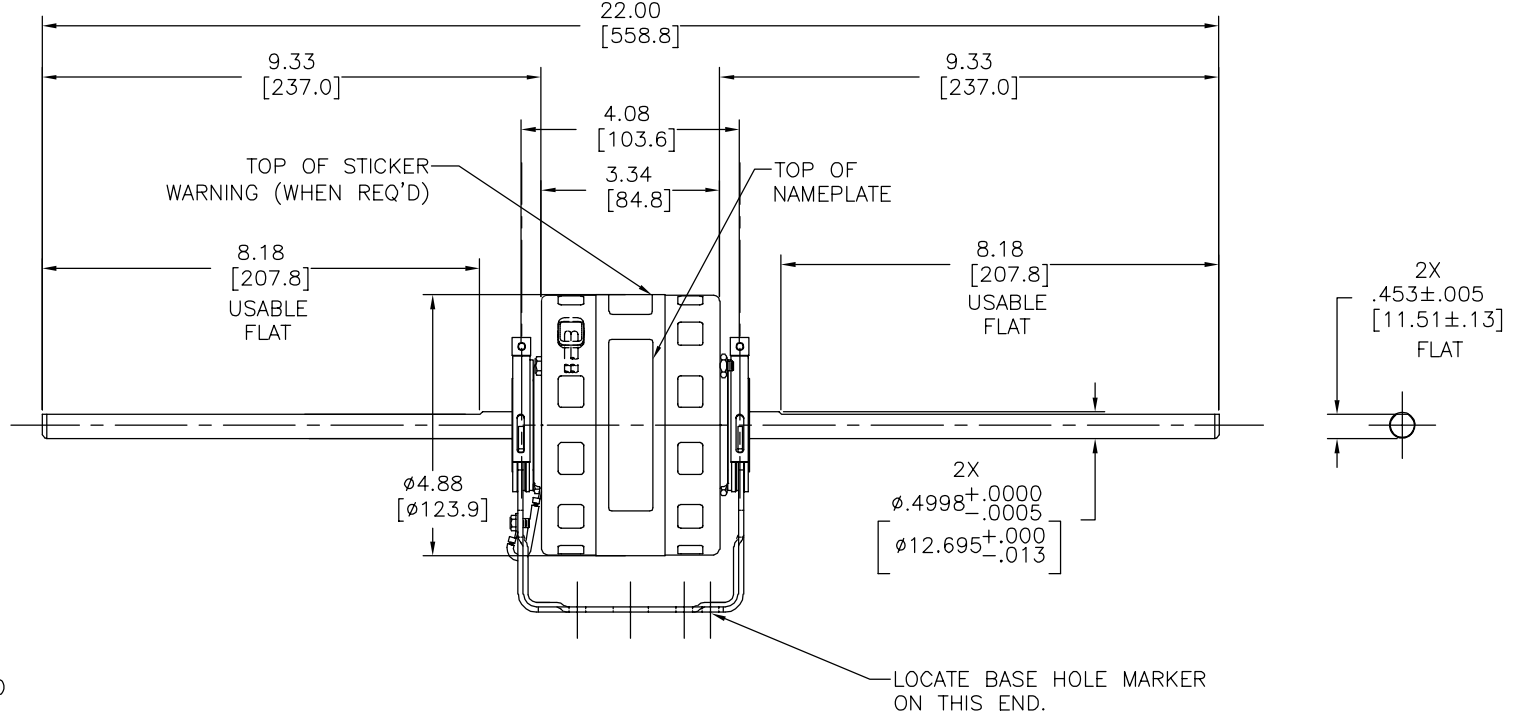
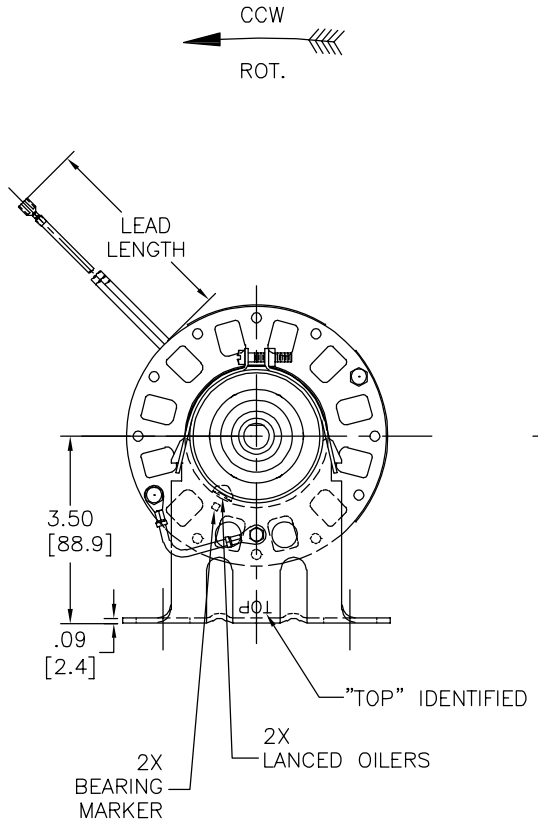
ELECTRICAL DATA:

OVERLOAD PROTECTOR: AUTOMATIC RESET (T.I. 7AM 034)

LEADS: NO. 18 GA., .03 [.8] THK. 125°C INSUL.

GROUND LEAD: NO. 18 GA., .03 [.8] THK. GREEN INSUL.

NOTE:
1. DISTRIBUTION PART NUMBER: DB6407
GRAINGER PART NUMBER: 3M747



NAMEPLATE DATA:

MODEL NO.: 322P073

CUST. P/N: []

HP: 1/10, 1/15, 1/20, 1/25

ROT.: CCWLE

RPM: 1050

TYPE: FE

FRAME: 42Y

VOLTS: 208-230

PH: 1

AMPS: 1.6, 0.9, 0.8, 0.7

HZ: 60

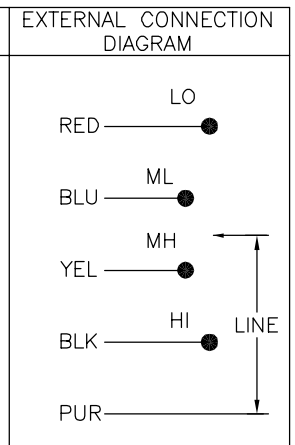
INS.: A

AMB.: 40 °C

DUTY: AIR OVER

CAP.: []

UL & CSA LOGO THERMALLY PROTECTED TYPE C



COLOR	LENGTH	TERMINAL OR STRIP LENGTH
RED	CONNECTED TO BASE	#8 EYELET
BLUE	38.5/41.5 [978/1054]	.25[6.4] FEMALE SPADE
YELLOW	38.5/41.5 [978/1054]	.25[6.4] FEMALE SPADE
BLACK	38.5/41.5 [978/1054]	.25[6.4] FEMALE SPADE
PURPLE	38.5/41.5 [978/1054]	.25[6.4] FEMALE SPADE

ENCLOSURE	
MAIN FRAME — OLE	OPEN
END FRAME — OLE	OPEN
MAIN FRAME — LE	OPEN
END FRAME — LE	OPEN

PERFORMANCE CURVE NO.	TORQUE @ 1050 RPM (50°C)	APPROVED SAMPLE	UL COMPONENT FILE #	GUIDE#	CSA FILE #	GUIDE #
668467	5.0 OZ. FT.	PSA 7011	E46412	PRGY2	LR43341	260-φ-0

GEOMETRIC CHARACTERISTICS & SYMBOLS

- FLATNESS
- STRAIGHTNESS
- ANGULARITY
- PERPENDICULARITY (SQUARENESS)
- PARALLELISM
- ROUNDNESS (CIRCULARITY)
- CYLINDRICITY
- PROFILE OF ANY SURFACE
- PROFILE OF ANY LINE
- RUNOUT
- TRUE POSITION
- CONCENTRICITY
- SYMMETRY

UNLESS OTHERWISE SPECIFIED DIM. TOLERANCES ARE AS FOLLOWS:

INCH ± .01 ± .02 ± .005 ± .0005

mm ± 0.5 ± 0.13 ± 0.013

ANG. ± 50 DEG

REMOVE BURRS & BREAK SHARP EDGES:

INCH .003-.015 mm 0.1-0.4

CORNER FILLETS TO: INCH .020 mm 0.5

MACHINE SURFACES: INCH 125 mm 3.2

ASME Y14.5M 1994 METRIC DIMS. SHOWN IN [BRACKETS]

DR BY: J. RUPERT 02-26-1996

APPD: W. HEAL 03-01-1996

EDS DATE 11-11-2011

FORMAT REV H

THIRD ANGLE PROJECTION

REGAL-BELOIT CORPORATION

DESCRIPTION: OUTLINE

SIZE: D DWG NO: 11927-027

SCALE: NONE SHEET: 1

REVISION: ECO	REVISADO POR: H.ZHOU	FECHA: 05-29-2012	APROBADO POR: B.SHEN	FECHA: 05-29-2012
E	0026394			

INFORMACION GENERAL:

OSCILACION DE FLECHA: .001 [.03] L.T.I. POR LONGITUD DE EXTENSION

JUEGO AXIAL: .010 A .063 [.25 A 1.60]

BALEROS: MANGA

POSICION DEL MONTAJE: HORIZONTAL

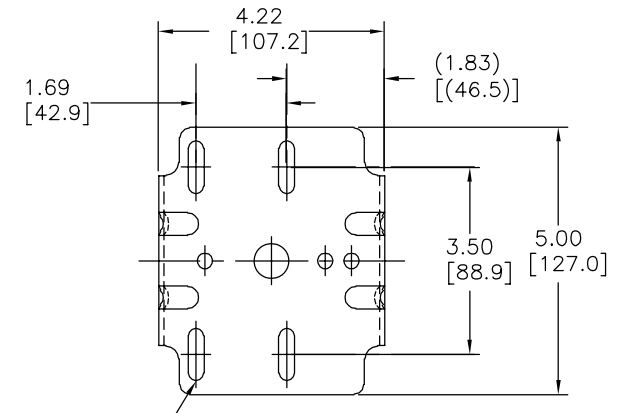
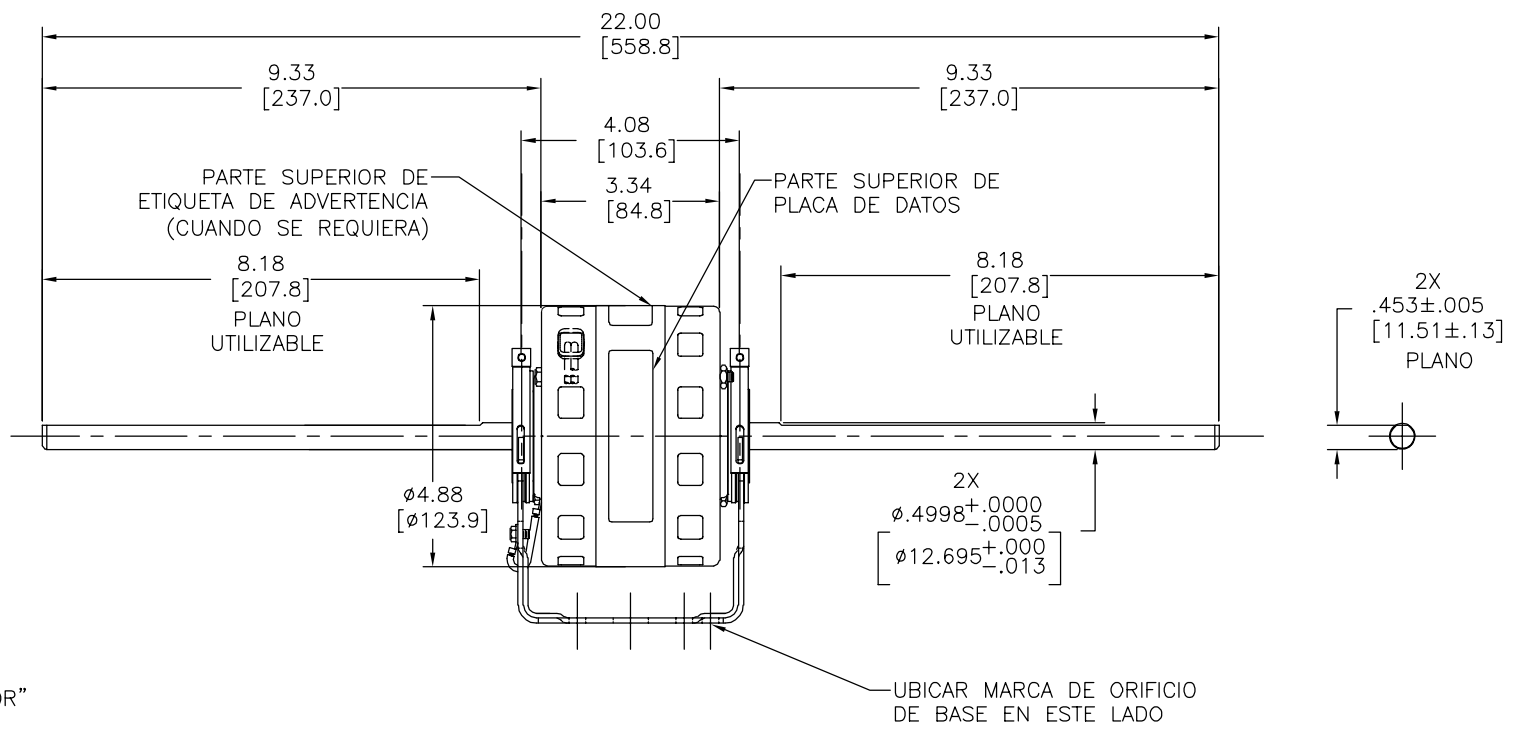
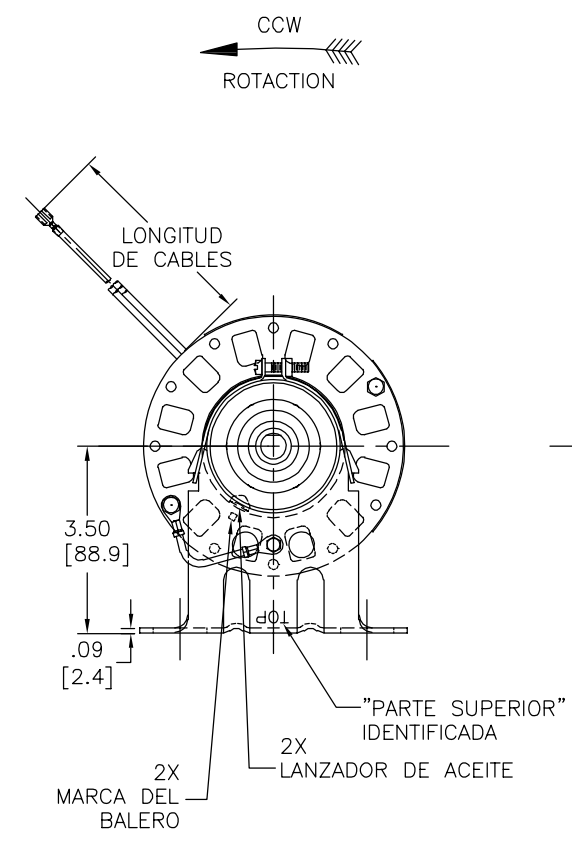
INFORMACION ELECTRICA:

SOBRECARGA DEL PROTECTOR: REINICIO AUTOMATICO (T.I. 7AM 034)

CABLES: CALIBRE 18 AISLANTE .03[.8] GROSOR 125°C.

CABLE DE TIERRA: CALIBRE 18 AISLANTE .03[.8] GROSOR VERDE.

NOTA:
1. NUMERO DE PARTE DE DISTRIBUCION: DB6407
NUMERO DE PARTE GRAINGER: 3M747



VER NOTA 1

INFORMACION DE PLACA DE DATOS	DIAGRAMA DE CONEXION EXTERNA
MODEL NO.: 322P073 CUST. P/N: HP: 1/10, 1/15, 1/20, 1/25 ROT.: CCWLE RPM: 1050 TYPE: FE FRAME: 42Y VOLTS: 208-230 PH: 1 AMPS: 1.6, 0.9, 0.8, 0.7 HZ: 60 INS.: A AMB.: 40 °C DUTY: AIR OVER CAP.: UL & CSA LOGO THERMALLY PROTECTED TYPE C	LO RED — ● ML BLU — ● MH YEL — ● HI BLK — ● LINE PUR — ●

ROJO	CONECTADO A LA BASE	OJAL #8
AZUL	38.5/41.5 [978/1054]	.25[6.4] TERMINAL HEMBRA
AMARILLO	38.5/41.5 [978/1054]	.25[6.4] TERMINAL HEMBRA
NEGRO	38.5/41.5 [978/1054]	.25[6.4] TERMINAL HEMBRA
MORADO	38.5/41.5 [978/1054]	.25[6.4] TERMINAL HEMBRA
COLOR	LONGITUD	TERMINAL O LONGITUD DE DESFORRE

INFORMACION DE CABLES

CARCAZA - OLE	ABIERTO
TAPA FINAL - OLE	ABIERTO
CARCAZA - LE	ABIERTO
TAPA FINAL - LE	ABIERTO

TIPO DE MOTOR

CURVA DE DESEMPEÑO	TORSION @1050 RPM (50°C)	MUESTRA APROBADA	COMPONENTE UL	CSA
668467	5.0 OZ. FT.	PSA 7011	#ARCHIVO PRGY2	#ARCHIVO LR43341
				260-Ø-0

CARACTERISTICAS DE GEOMETRIA Y SIMBOLOS:
 □ PLANICIDAD
 — RECTITUD
 ∠ ANGULARIDAD
 ⊥ PERPENDICULARIDAD (A ESCUADRA)
 // PARALELISMO
 ○ REDONDEZ (CIRCULARIDAD)
 ⌀ CILINDRICIDAD
 ≡ PERFIL DE CUALQUIER SUPERFICIE
 ⤴ PERFIL DE CUALQUIER LINEA
 ↗ VARIACION
 ⊙ POSICION REAL
 ⊕ CONCENTRICIDAD
 = SIMETRIA

ASME Y14.5M 1994

A MENOS QUE SE ESPECIFIQUE DE OTRA MANERA, LAS TOLERANCIAS DE LAS DIMS, SON LAS SIGUIENTES:
 X XX XXX XXXX
 PULG ±.1 ±.02 ±.005 ±.0005
 mm ±0.5 ±0.13 ±0.013

ANG ±50 GRADOS
 ELIMINAR REBABAS Y ORILLAS FILOSAS DEL BORDE.
 PULG .003-.015 mm 0.1-0.4
 FILETEAR ESQUINA: PULG .020 mm 0.5
 MAQUINAR SUPERFICIES
 PULG 125 mm 3.2

DIMS METRICAS MOSTRADAS [PARENTESIS]

DIBUJADO POR: J. RUPERT
 APROBADO POR: W. HEAL
 TERCER ANGULO DE PROYECCION

02-26-1996
 03-01-1996
 FECHA EDS: 11-11-2011
 REV. FORMATO: H

CONFIDENCIAL: ESTE DIBUJO Y SU INFORMACION SON PROPIEDAD DE USO EXCLUSIVO Y CONFIDENCIAL DE REGAL-BELOIT CORPORATION, Y NO DEBERAN SER REVELADOS, DUPLICADOS, DISTRIBUIDOS O USARSE DE OTRA MANERA SIN EL CONSENTIMIENTO ESCRITO DE REGAL-BELOIT CORPORATION. -TODOS LOS DERECHOS RESERVADOS.

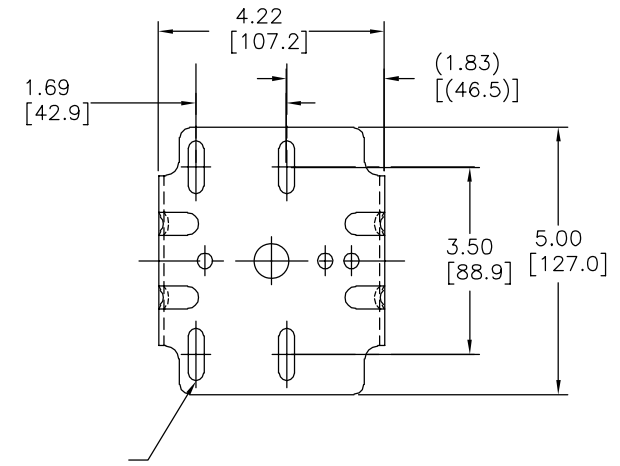
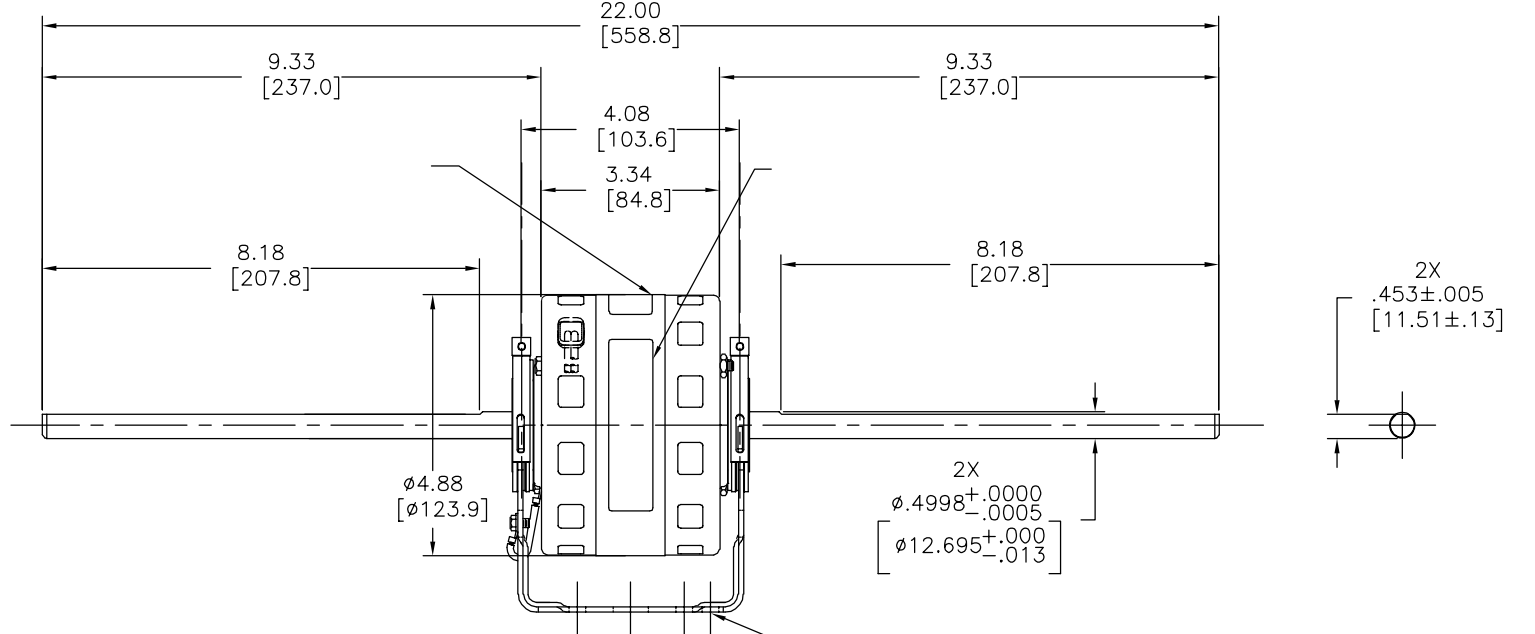
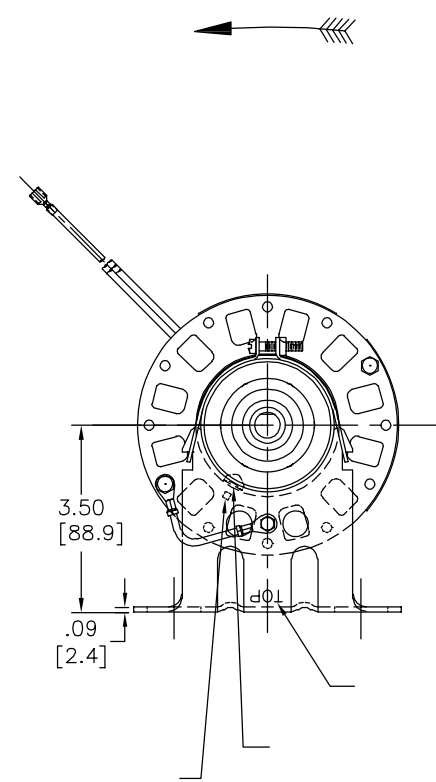
REGAL BELOIT CORPORATION

DESCRIPCION: OUTLINE

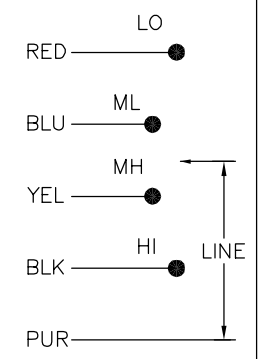
TAMAÑO: D NUMERO DE DIBUJO: 11927-027

ESCALA: NONE HOJA: 1

版本	ECO	编制	日期	批准	日期
E	0026394	H.ZHOU	05-29-2012	B.SHEN	05-29-2012



MODEL NO.: 322P073
 CUST. P/N:
 HP: 1/10, 1/15, 1/20, 1/25
 ROT.: CCWLE
 RPM: 1050
 TYPE: FE
 FRAME: 42Y
 VOLTS: 208-230
 PH: 1
 AMPS: 1.6, 0.9, 0.8, 0.7
 HZ: 60
 INS.: A
 AMB.: 40 °C
 DUTY: AIR OVER
 CAP.:
 UL & CSA LOGO
 THERMALLY PROTECTED
 TYPE C



	38.5/41.5 [978/1054]	
	38.5/41.5 [978/1054]	
	38.5/41.5 [978/1054]	
	38.5/41.5 [978/1054]	
COLOR		

668467	5.0 OZ. FT.	PSA 7011	E46412	PRGY2	LR43341	260-φ-0
--------	-------------	----------	--------	-------	---------	---------

- 形位公差
- 平面度
- 直线度
- 倾斜度
- 垂直度
- 平行度
- 圆度
- 圆柱度
- 面轮廓度
- 线轮廓度
- 圆跳动
- 位置度
- 同轴度
- 对称度

除另有注明
 尺寸公差如下:
 英寸 X XX XXX XXXX
 毫米 ±.1 ±.02 ±.005 ±.0005
 ±0.5 ±0.13 ±0.013
 角度 ±.50 度
 清理毛刺和尖棱
 英寸 .003-.015 毫米 0.1-0.4
 内圆角
 英寸 .020 毫米 0.5
 表面粗糙度
 英制 125 米制 3.2
 米制尺寸显示在 []

绘图: J. RUPERT 02-26-1996
 批准: W. HEAL 03-01-1996
 第三角投影
 图框格式发布日期 11-11-2011
 图框格式版本 H
 机密: 本图纸及相关信息所有权归REGAL-BELOIT CORPORATION
 未经REGAL-BELOIT CORPORATION书面授权, 不得泄露、
 复制、传播或作其他用途。—版权所有

REGAL-BELOIT CORPORATION

名称: OUTLINE
 图号: 11927-027
 比例: NONE
 页号: 1

ASME Y14.5M 1994